



hunterstoves

GROUP

ASPECT 7

AVALON 6

CONSORT 7 D/DOOR

CONSORT 7 S/DOOR

HERALD 6 MK II D/DOOR

HERALD 6 MKII S/DOOR

HERALD 6 INGLENOOK MK II

D/DOOR

HERALD 6 INGLENOOK MKII

S/DOOR

SELECT 6 MKII

SELENE 6 MKII

VERONA

Instructions for
Installation/Operating/Maintenance/Serviceing

Please leave this instruction booklet with the user after the installation is complete. Leave the system ready for operation and instruct the user in the correct use of the appliance and operation of its controls. Please refer to the appliance data plate for the specific model type.

JIN06KWGAS REV E 05/07/19



Welcome to the Hunter Stoves family and thank you for purchasing a Hunter Herald 6kW Gas stove. This stove was designed and built to be a high-performance heating appliance, and we hope it will bring you great enjoyment. The natural environment is important to us, so our stoves are manufactured to provide you with a clean and efficient burn that will keep you warm through the cold winter nights.

Table of Contents

Stove Models	3
Technical Data	4
Stove Dimensions	5-7
Installing the Appliance	7/8
Flue Arrangement	8/9
Additional Air Venting (GB only)	9
Removing the Stove Body Front	9-11
TTB Installation	11
Gas Supply Connections	12
Installation of the Fire-Bed	13-18
Coal Effect	13-15
Log Effect	15-18
Reassembling the Stove	18
Test for Spillage	18/19
Servicing Instructions	19
Troubleshooting	20/21
User Instructions	22/23
Care, Maintenance and Servicing	23
Instructions for Remote Control Use	24-31
Setting Up Full Function Handset (LCD)	24-26
Advanced Setting Full Function Handset (LCD)	26/27
Restoring Communication with The Fire	27/28
Remote Care and Maintenance	29-31
Installation and Commissioning Checklist	32
Service Records	33
Warranty Information	34/35

STOVE MODELS

ASPECT 7



AVALON 6



CONSORT 7 D/DOOR



CONSORT 7 S/DOOR



HERALD 6 MKII D/DOOR



HERALD 6 MKII S/DOOR



HERALD 6 INGLENOOK MKII D/DOOR



HERALD 6 INGLENOOK MKII S/DOOR



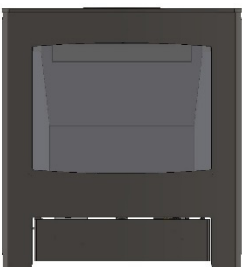
SELECT 6



SELENE 6



VERONA



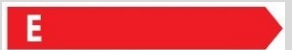


Please read these instructions carefully

This appliance is intended for use on a gas installation with a governed meter.

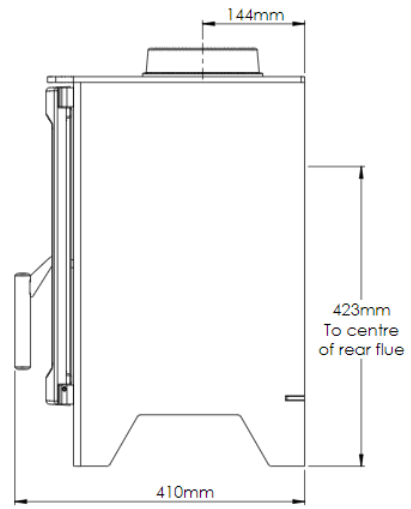
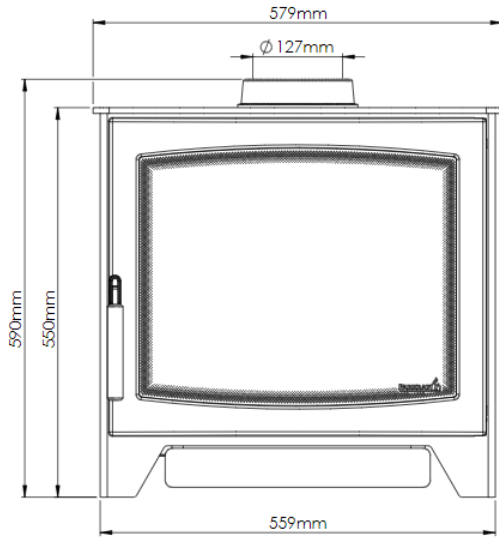
It is important that your stove is correctly installed as Hunter Stoves Limited cannot accept responsibility for any fault arising through incorrect installation. Any unauthorised changes to the stove will negate the warranty.

TECHNICAL DATA

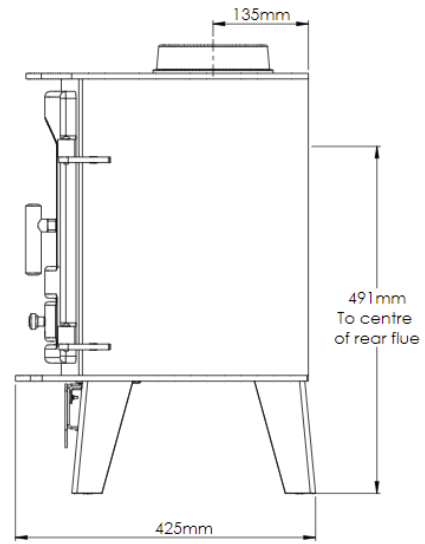
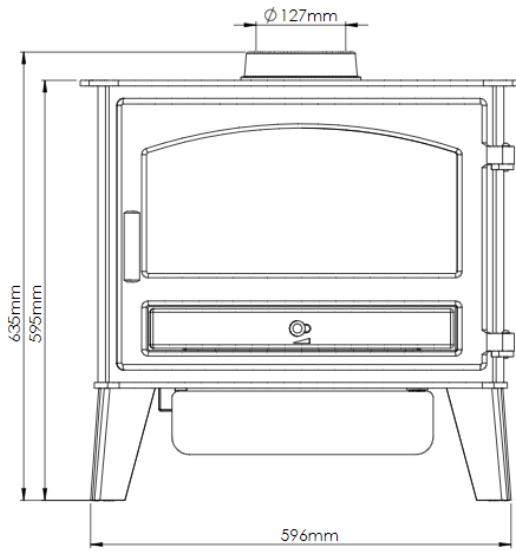
 CE 0558	NATURAL GAS MANUAL/REMOTE	LPG MANUAL/REMOTE
Energy Efficiency Class		
Nominal Gas Pressure	20mbar	37mbar
Pilot Injector (mm)	0.35	0.27
Burner Aeration	Φ10	Φ12
Energy Efficiency	75	75
Supply Gas Type/Category	G20/l _{2H}	G31/l _{3p}
Injector Type/Size	500	125
Heat Input (Gross) Full Low	6.5kW 4.2kW	6.5kW 3.7kW
Gas Flow Rate (m ³ /h) Full	0.619	0.244
NO _x Class	4	5
Efficiency Class	2	2
Countries of Destination	AT, BG, CH, CZ, DK, EE, ES, FI, GB, GR, HR, IE, IT, LT, LV, NO, PT, RO, SE, SI, SK, TR	BE, CH, CZ, ES, FR, GB, GR, IE, IT, LT, NL, PL, PT, SI, SK

STOVE DIMENSIONS

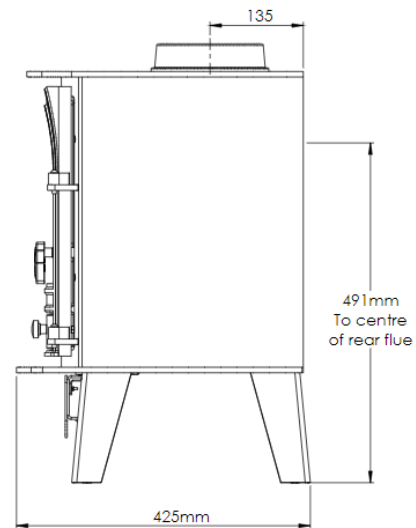
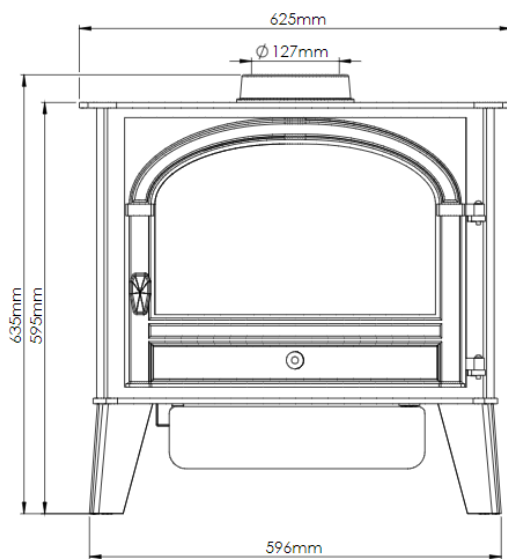
ASPECT 7



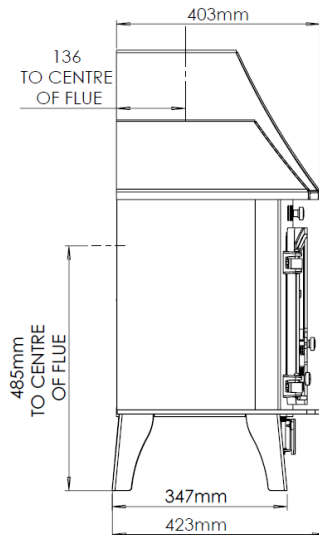
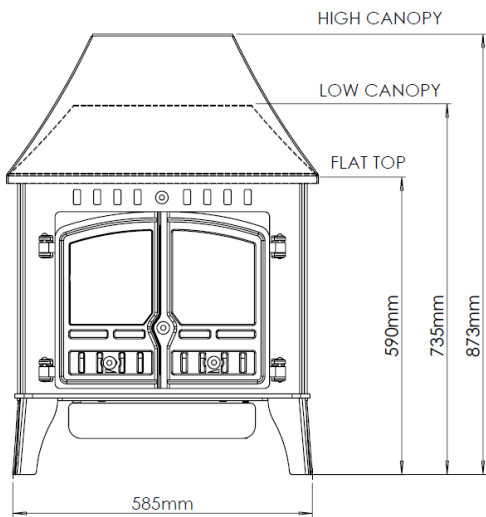
AVALON 6



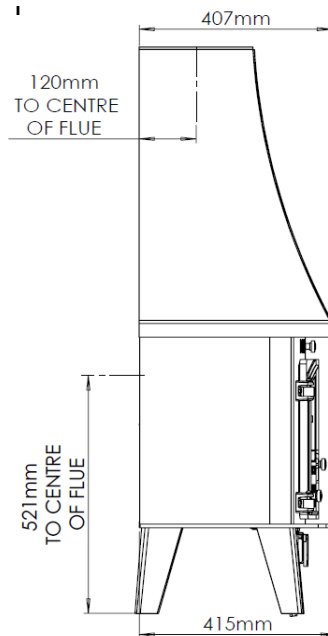
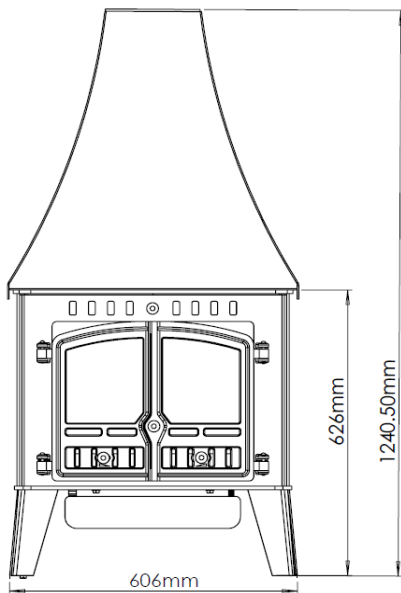
CONSORT 7



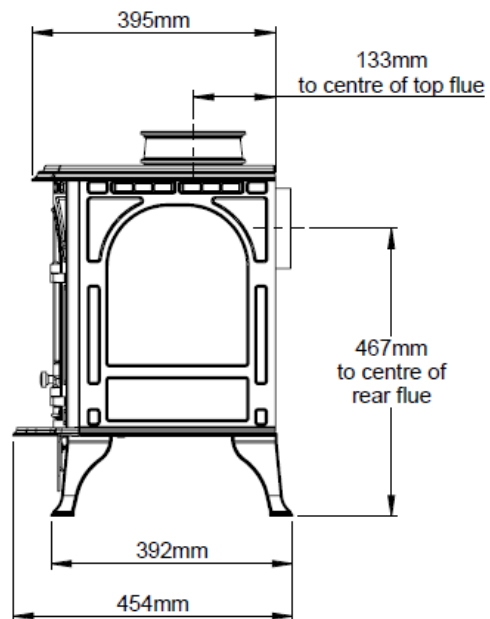
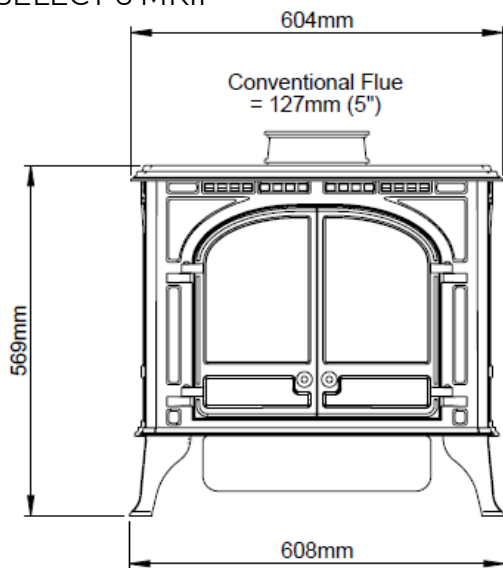
HERALD 6 MKII



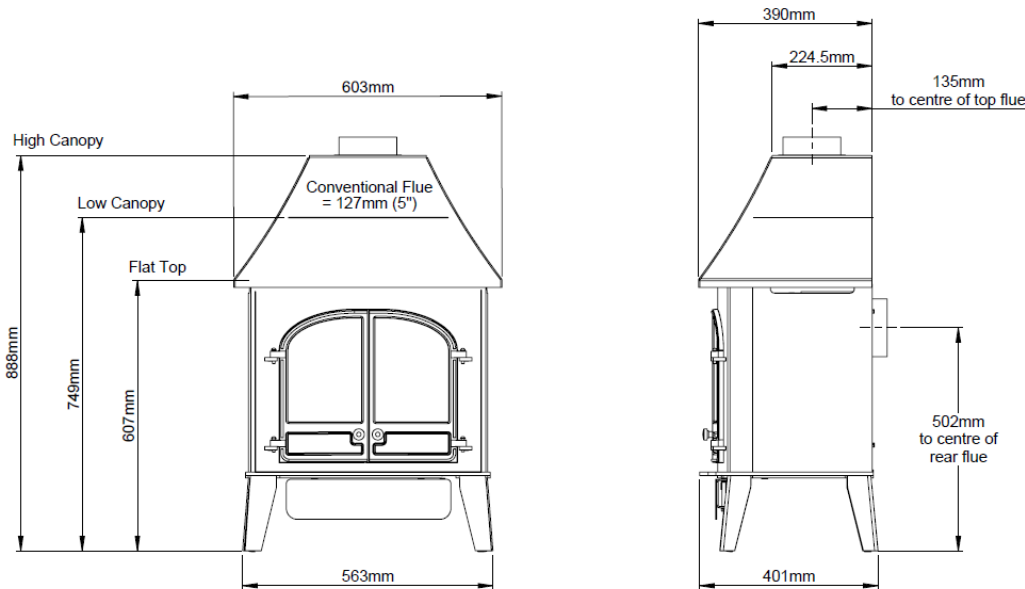
HERALD 6 INGLENOOK MKII



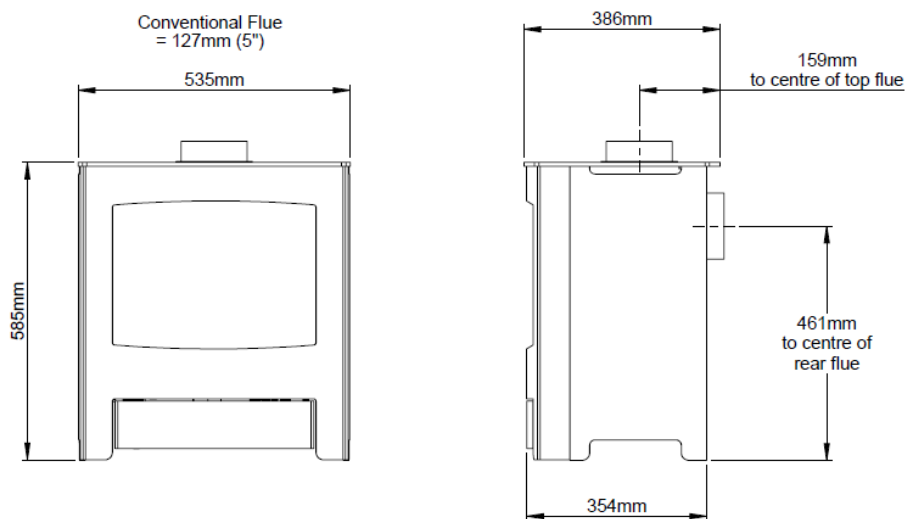
SELECT 6 MKII



SELENE 6 MKII



VERONA MKII



INSTALLING THE APPLIANCE

Pre-installation notes

1. Check the stove data plate to establish the gas type required. The data plate can be found on a chain at the top left rear corner of the stove. Before installation check that the local distribution conditions, nature of the gas and pressure, and adjustment of the application are compatible.
2. **A GAS SAFE REGISTERED INSTALLER** or equally recognised competent person must fit the appliance. That person is legally responsible for the safe installation of the appliance with due regard to all relevant local and national building regulations.
3. All outer surfaces of the stove excepting the gas control knobs are defined as working surfaces.
4. Installation site - Any installation area previously used for a solid fuel fire or stove would probably be deemed suitable for the appliance.
5. **The stove must not be installed onto a combustible wall. Any combustible materials must be removed from behind the appliance.**
6. The appliance must be sited on a non-combustible hearth of minimum 12mm thickness.

- 7. The hearth should be edged or raised to prevent combustible floor finishes (e.g. Carpet) from being laid too close to the appliance.
- 8. Opening Clearances: for the relevant clearance distances for installing the appliance in an opening see figure 1 and table 1.

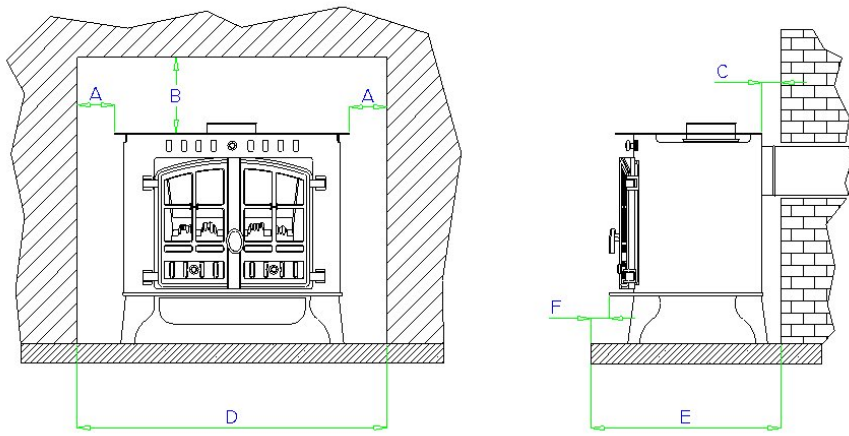


Figure 1: Clearance Distances

IMPORTANT NOTE! Adequate clearance must be given between the appliance and the walls so that a satisfactory spillage test can be performed as detailed on page 18.

FLUE ARRANGEMENT

	DIMENSION DESCRIPTION	MINIMUM CLEARANCE DISTANCES TO:	
		COMBUSTIBLE MATERIAL	NON-COMBUSTIBLE MATERIAL
A	Edge of stove top to wall	100mm	50mm
B	Top of stove to underside of opening	300mm	200mm
C	Rear of stove to wall	100mm	50mm
D	Minimum distance for hearth to extend in front of stove	50mm	50mm

Table 1: Clearance Distances

Hearth Minimum dimension 825mm x 675mm extending 50mm in front of the stove (based on Aspect 7).

The GAS SAFE REGISTERED ENGINEER commissioned to install this appliance is wholly responsible for deciding the suitability of any flue arrangement to operate in conjunction with this gas appliance.

The chimney or flue system that is to be fitted to the 6kW gas stove must comply with the current rules in force.

(The 6kW gas stove is also suitable for other specific class II installation arrangements: pre-cast flues, ridge-vent flues and pre-cast chimney block and with the relevant adaption, the appliance will operate in a closure plate type system.)

It is suggested to run flue pipe at least 615mm vertically from the unit before there are any changes in direction of the flue system. Wherever possible horizontal runs of the flue system should be avoided.

The flue must have a minimum of 2.6 meters of vertical height measured from the top of the stove to the bottom of the terminal outlet.

Please note for rear flue appliances it is recommended that the vertical flue run be established as soon as is practical from the rear flue exit. (Caution should be taken locating the exit of the flue as explained in 'The Building Regulations - Document J'.)

Before commencing any installation work the installing engineer must check that the flue is free from all blockages, the chimney should be given a precautionary clean, and finally the chimney should be smoke tested to ensure soundness. Additionally, any flue dampers must be permanently fixed open or removed altogether.

ADDITIONAL AIR VENTING (GB ONLY)

The supply gas heat input into the appliance is nominally less than 7kW. Therefore, under the directives of the current Health and Safety Executive gas safety and use regulations (Gas Safety [Installation and Use] Regulations 1998 Approved Code of Practice and guidance) no additional air vents are required in the room in which the appliance is situated.

REMOVING THE STOVE BODY FRONT

THE BODY OF THE STOVE IS HEAVY! To reduce weight, it is recommended that the cast iron doors be removed before attempting to remove the stove body.

Removing the Cast Iron Doors

Consort 7/Herald 6 MKII/Select 6 MKII/Selene 6 MKII Double Door:

Open one of the doors. Holding the door with one hand, push up and remove the two hinge pins with the other. The door can then be removed (figure 2).

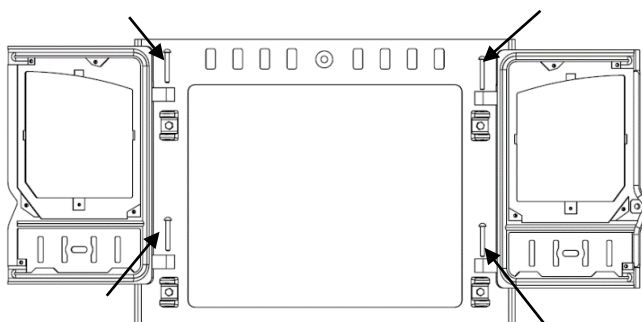


Figure 2: MKII Double Door Removal

Avalon 6/Consort 7/Herald 6 MKII/ Single Door:

Open the door. Hold the door with one hand, push up and remove the two hinge pins with the other hand. The door can then be removed (figure 3).

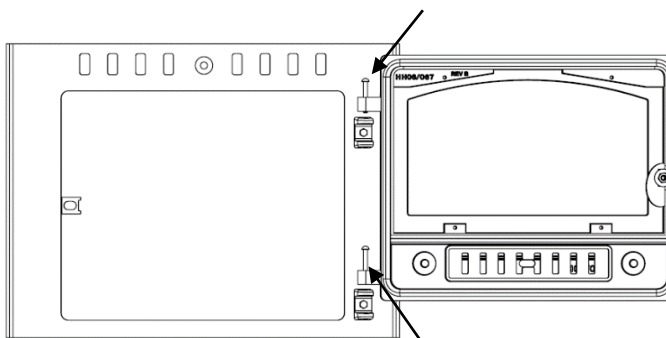
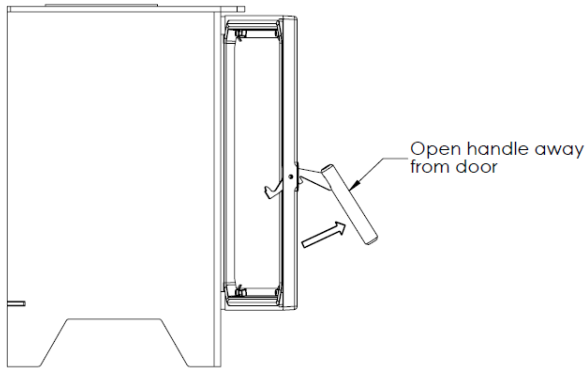


Figure 3: Herald 6 MKII Single Door Removal

Aspect 7 Single Door:



Removing the Stove Body Front (Except Aspect 7)

The stove body front is secured in place by two bolts and a thumb screw. The thumb screw is located on the upper side of the front wrapper and can be removed by hand (figure 4). The bottom bolts are located just inside the door opening and can be accessed from the underside of the stove. Holding the front section of the stove in place, remove the bolts using a spanner (figure 5).

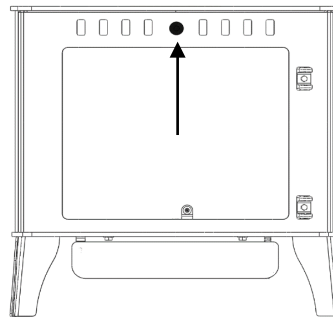


Figure 4: Thumb Screw Location

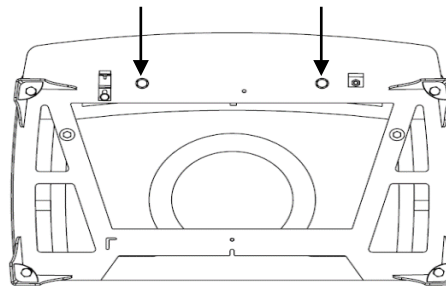
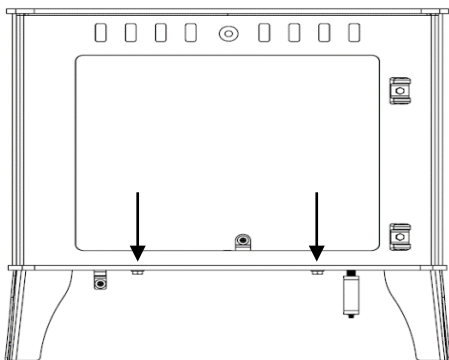


Figure 5: Bottom Bolts Location

The front section should now be carefully pulled forward away main body. (figure 6).

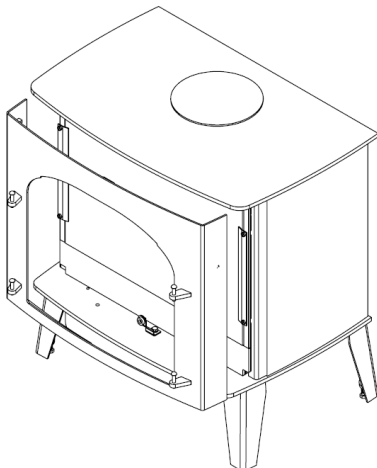


Figure 4: Front Wrapper Removal

Removing the Glass (All)

The glass is held in place by 6 double glass clips, 1 at the top and 1 on each side. Holding the glass with one hand, remove the fixing screws with a Philips-head screwdriver and remove the double glass clips. The glass panel can then be carefully removed (figure 7).

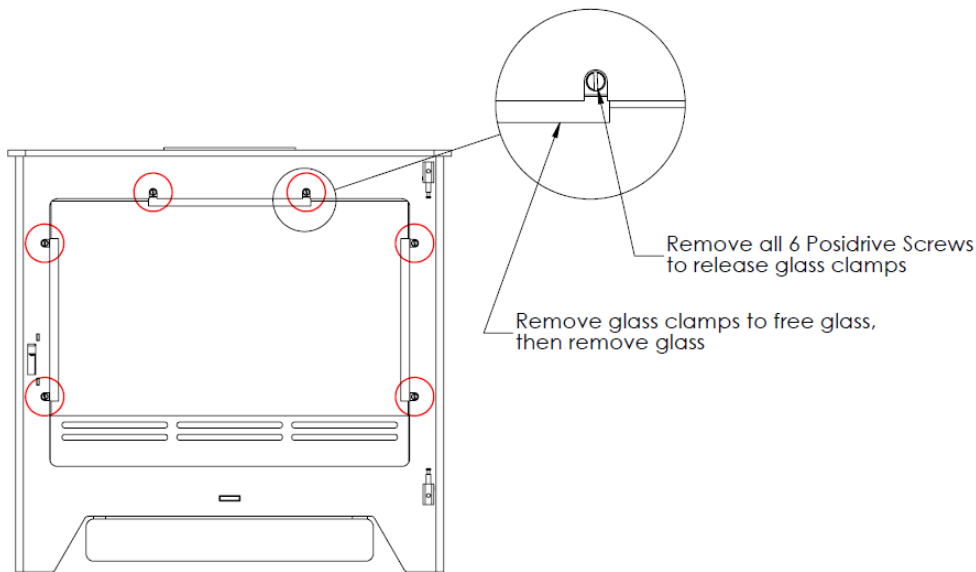
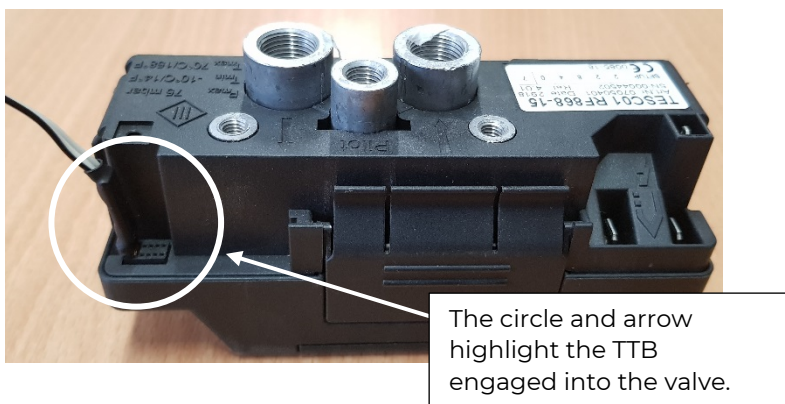
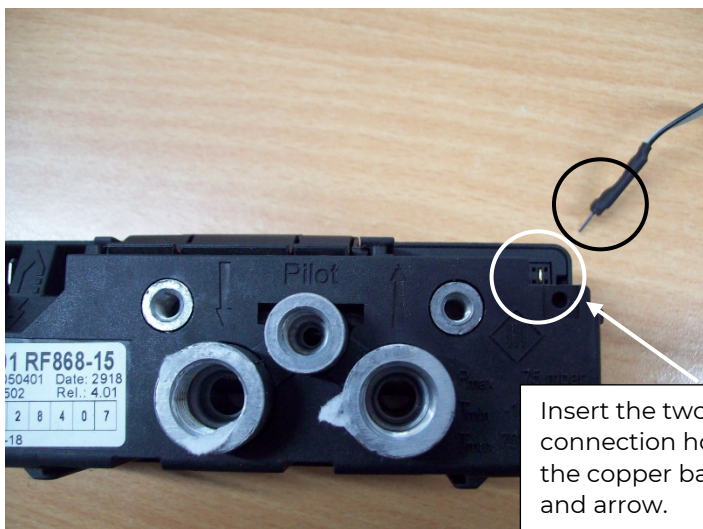


Figure 7: Removing the Glass

TTB INSTALLATION



Installation of the Fire-bed

IMPORTANT NOTE

CERAMIC COALS AND LOGS GET VERY HOT! NEVER ATTEMPT TO HANDLE HOT COALS OR LOGS WITH BARE HANDS AND NEVER PLACE HOT COALS OR LOGS ON OR NEAR COMBUSTIBLE SURFACES.

HUNTER STOVES LTD ACCEPTS NO RESPONSIBILITY FOR ANY INJURY HOWEVER CAUSED WHILST HANDLING HOT COALS, LOGS OR CERAMICS.

Fire-bed Arrangement

This appliance can be fitted with either 'coal effect' or 'log effect' ceramics.

For 'Coal Effect' ceramics use instructions in Section A (page 11).

For 'Log Effect' ceramics use instructions in Section B (page 14).

Section A - Fitting the Coal Effect Base Ceramics

NATURAL GAS AND LPG: The fire-bed is constructed of 3 base ceramics, 4 small coals, 10 medium coals and 4 large coals.

1. Place the rear base ceramic onto the burner tray. It should touch the back of the firebox (figure 10).



Figure 10: Installing the Rear Base Coal Ceramic

2. Place the middle base ceramic into the fire so that the flat surface sits on the burner tray. Push it ceramic back until it rests against the rear ceramic (figure 11).



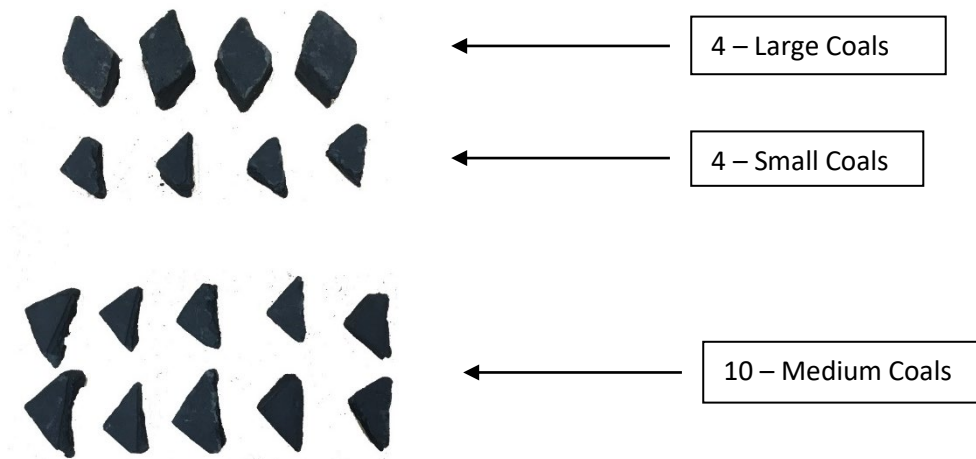
Figure 11: Installing the Middle Base Coal Ceramic

3. Place the front base ceramic into the fire so that it sits between the middle base ceramic and the 2-front tray supports (steel brackets at the front of the tray) shown in figure 12.



Figure 12: Installing the Front Base Coal Ceramic

Fitting the Loose Ceramic - Coals



4. The first row consists of 4 small and 4 large coals. Start with a large coal on the left-hand side on the flat section of the front base ceramic. Then place a small coal between the first 2 left notches in the front base ceramic. Place the second large coal above the small (3rd) notch. The second small coal is placed above the 4th notch. The third large coal rests on the flat between the 5th and 6th notch. The third small coal rests on the flat above 7th notch. The final large coal sits on the flat section between the 9th and 10th notch with the final small coal between the 11th and 12th notch.



Figure 54: 1st Row of Coal Ceramics

NOTE: Make sure that the coals do not fall between the front and middle base ceramics. A gap must be left between the coals to allow the flames to pass through.

5. The second row (figure 15) consists of 4 medium sized coals, which are placed on the flat section of the middle base ceramic. These 4 coals should have the top of the isosceles triangle pointing forward. The first coal is placed behind the 1st and 2nd large coals of the front row. The second coal is positioned between the 2nd and 3rd large coals. The third coal goes in-between the 3rd and 4th large coals of the front row and the fourth medium coal is positioned behind the 4th large and 4th small coal.



Figure 65: 2nd Row of Coal Ceramics

NOTE: The coals must not block the gap between the middle and rear ceramic matrices.

6. The final row of coals consists of 6 medium coals, which sit on top of the middle row and against the rear base ceramic.

Place all 6 medium coals; the first coal sits to the left of the 1st coal of the middle row. The second is located to the right of the 1st coal on the middle row. The third medium coal is placed behind the 2nd coal on the middle row. The fourth is positioned between the 2nd and 3rd coals on the middle row. The fifth medium coal is located behind the 3rd coal of the middle row. Finally, the last coal is placed behind the 4th coal of the middle row.

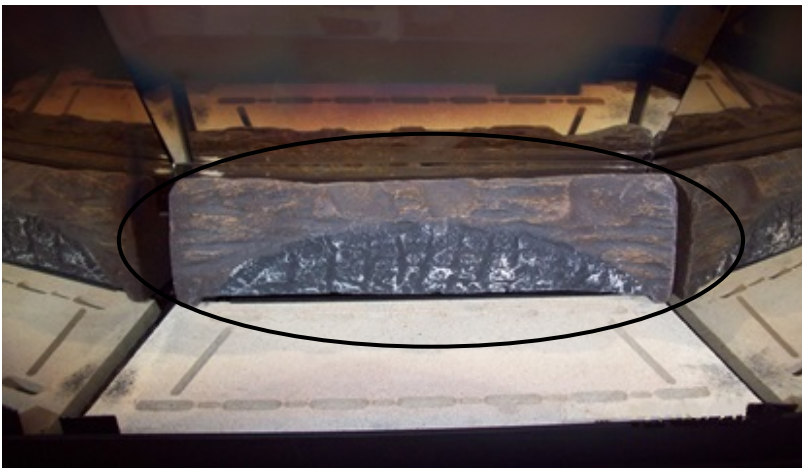


Figure 76: 3rd Row of Coal Ceramics

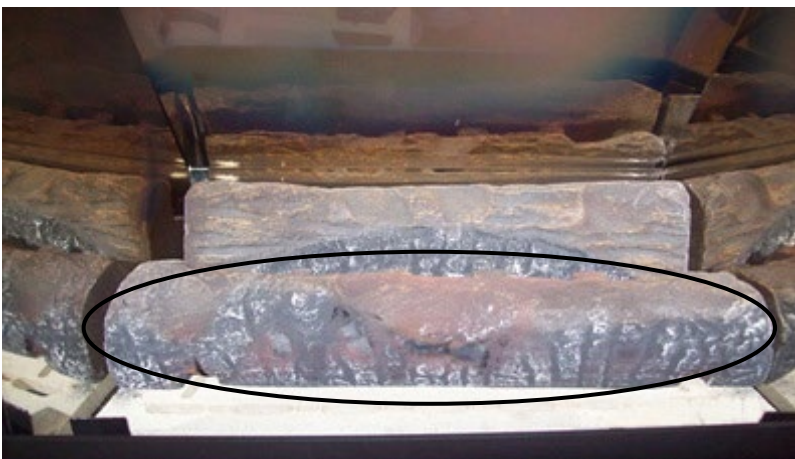
NOTE: Gaps must be left between the coals for the flames to pass through.

The fire-bed is now complete. The stove should be lit, and the flame picture checked with the glass panel fixed securely in place. Any adjustments to the flame picture can then be made as required. The stove can now be re-assembled as shown in 'Reassembling the Stove' on page 17.

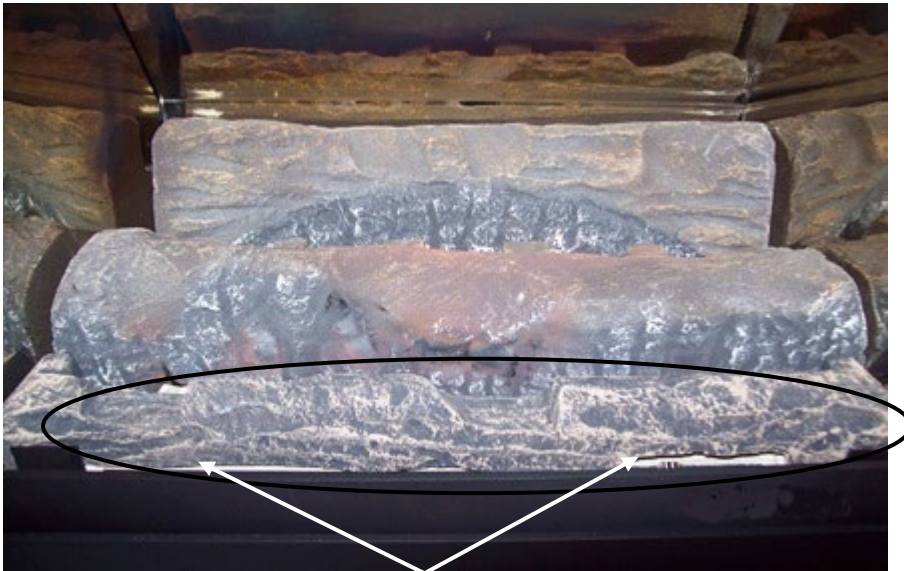
Section B - Fitting the Log Effect Base Ceramics



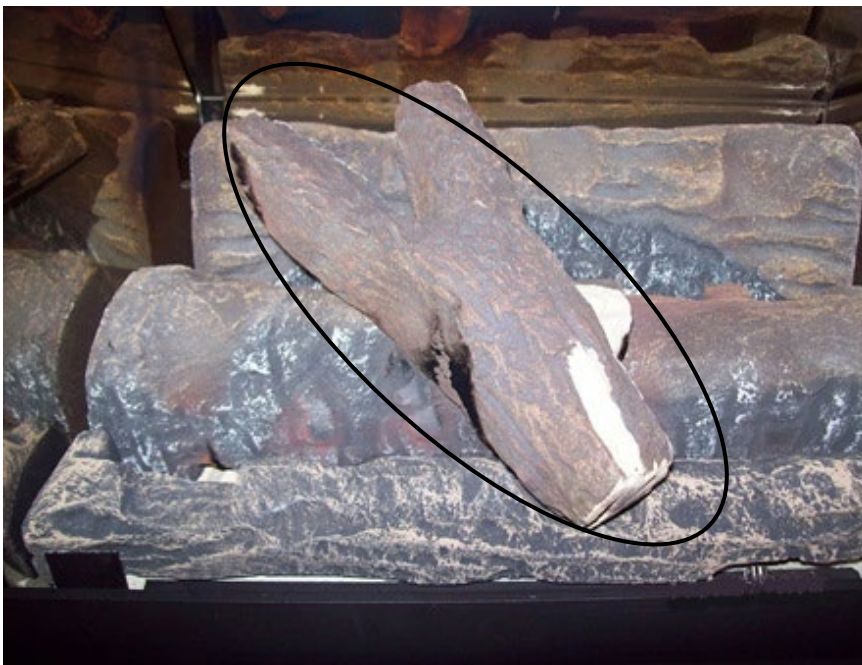
Make sure the burner is back as far as possible. Then put in rear Log bed at the back making sure it is flush against the back of the fire



Add centre Log bed ceramic. Put as far back to the rear Log bed as possible



Add front Log bed to sit against the front bracket highlighted by the arrows



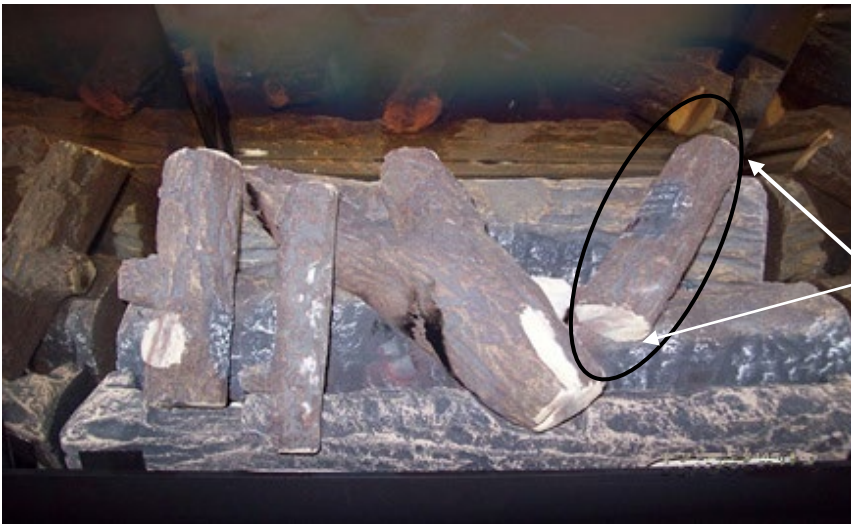
Add Y shaped Log A and make sure the base fits into the cut out on the front ceramic highlighted by the arrow



Add Log B and make sure the base fits into the cut out on the front ceramic highlighted by the arrow



Add Log C and make sure the small twig fits onto the front ceramic highlighted by the arrow



Add Log D as shown. There is a small recess on the rear Log bed and the middle Log bed highlighted by the arrows where it is located



Rest Log E on top of Log D which the arrow is highlighting and the rear Log bed



Finally, Lay Log F onto the middle ceramic bed as shown



The fire-bed is now complete. The stove should be lit, and the flame picture checked with the glass panel fixed securely in place. Any adjustments to the flame picture can then be made as required. The stove can now be reassembled as shown.

Reassembling the Stove

When the desired flame picture has been achieved, the stove body front can be slid back into place.

The fixing bolts and thumb screw can then be replaced and tightened.

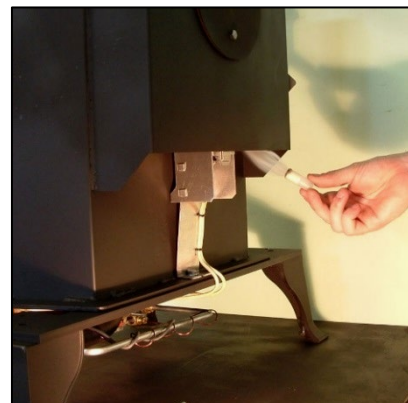
Refit the cast iron doors by reversing the process in 'Removing the Cast Iron Doors' (page 6).

Test for Spillage

A spillage test MUST be carried out before the appliance is left with the customer.

Close all doors and windows in the room containing the fire before the test is carried out.

1. Ensure that the fire is burning at full rate for a minimum of 5 minutes.
2. Run a smoke match along the edge of the draught diverter, both sides of the TTB Bracket (as shown)
3. Most of the smoke should be drawn into the draught diverter. If not, leave the stove running at full rate for a further 10 minutes and then repeat the test.
4. If there is a fan in an adjoining room the spillage test must be repeated with the fan running and all connecting doors between the fire and fan open.
5. If there are still problems the chimney/flue or ventilation may require attention. The stove should not be used until the fault is rectified.



Spillage Monitoring System

The appliance is fitted with spillage system (TTB), which is located near the draught diverter and operates to shut the appliance off if the evacuation of combustion products is interrupted (for example caused by lack of flue pull or flue blockage).

The spillage system **MUST NOT** be adjusted, modified or put out of action by the installer. The spillage system **MUST NOT** be removed or 'bridged out' for any reason. If the spillage system is faulty and requires replacement, only genuine Hunter Stoves parts should be used.

SERVICING INSTRUCTIONS

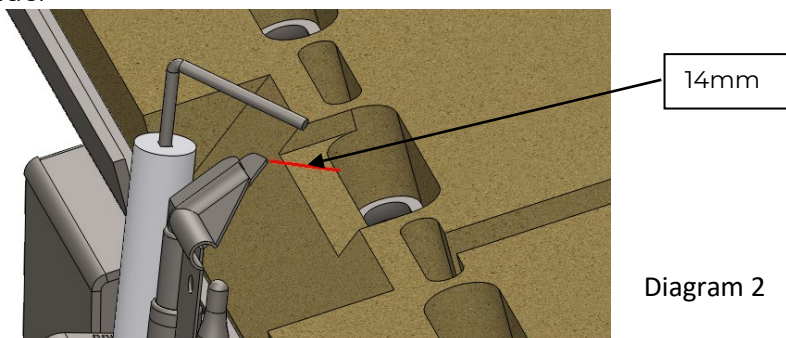
Any recommendations made here are in addition to the standard servicing procedures used by the servicing engineer.

Before Testing:

- Do a gas soundness test for the property the appliance is in ensuring there are no leaks before servicing.
- Check the operation of the appliance before testing.
- Check the spark gap on the pilot is correct. (See Diagram 2)
- After testing advise the customer of any work that needs to be carried out.

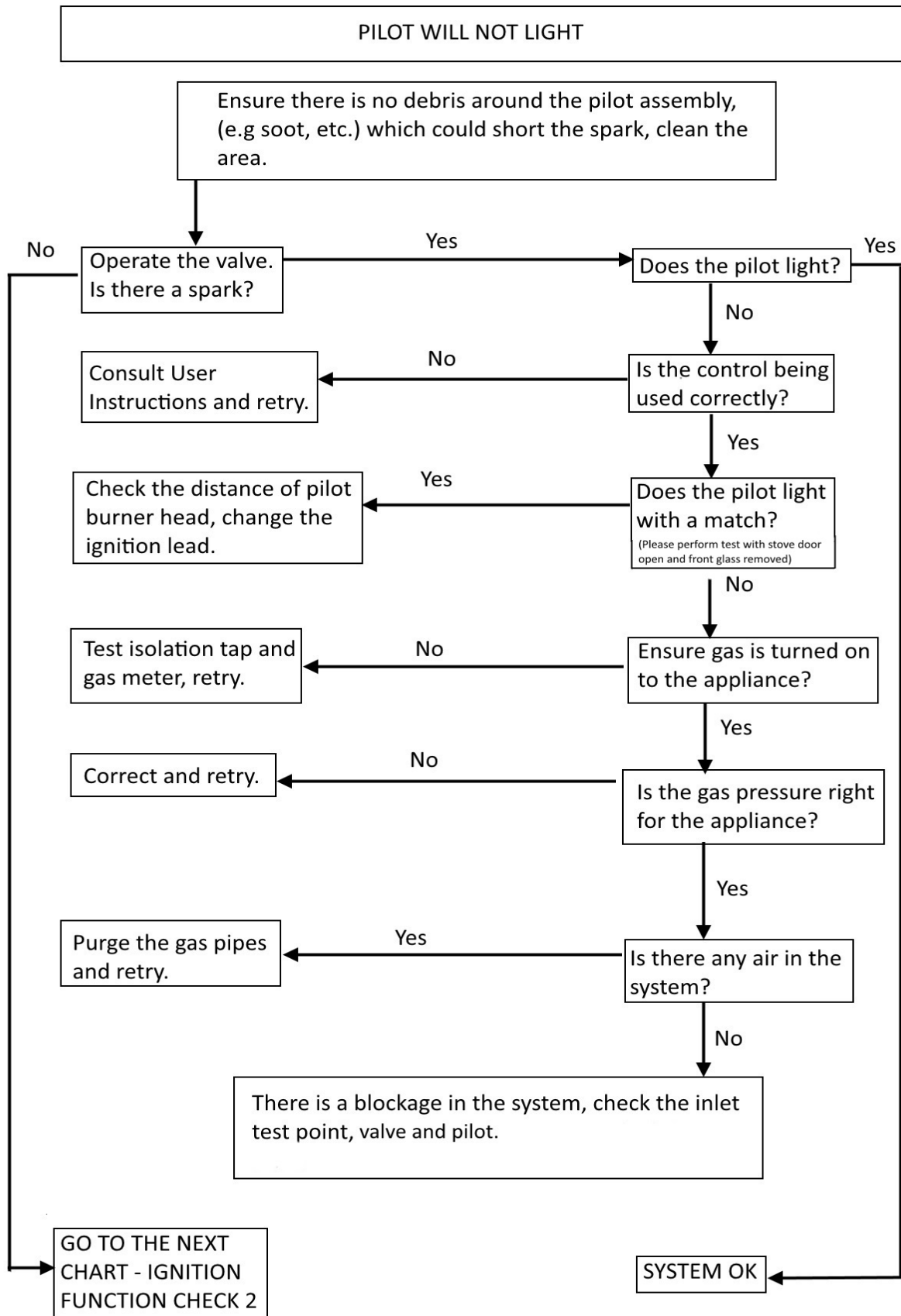
A GAS SAFE registered fitter using only original Hunter Stoves parts should carry out servicing.

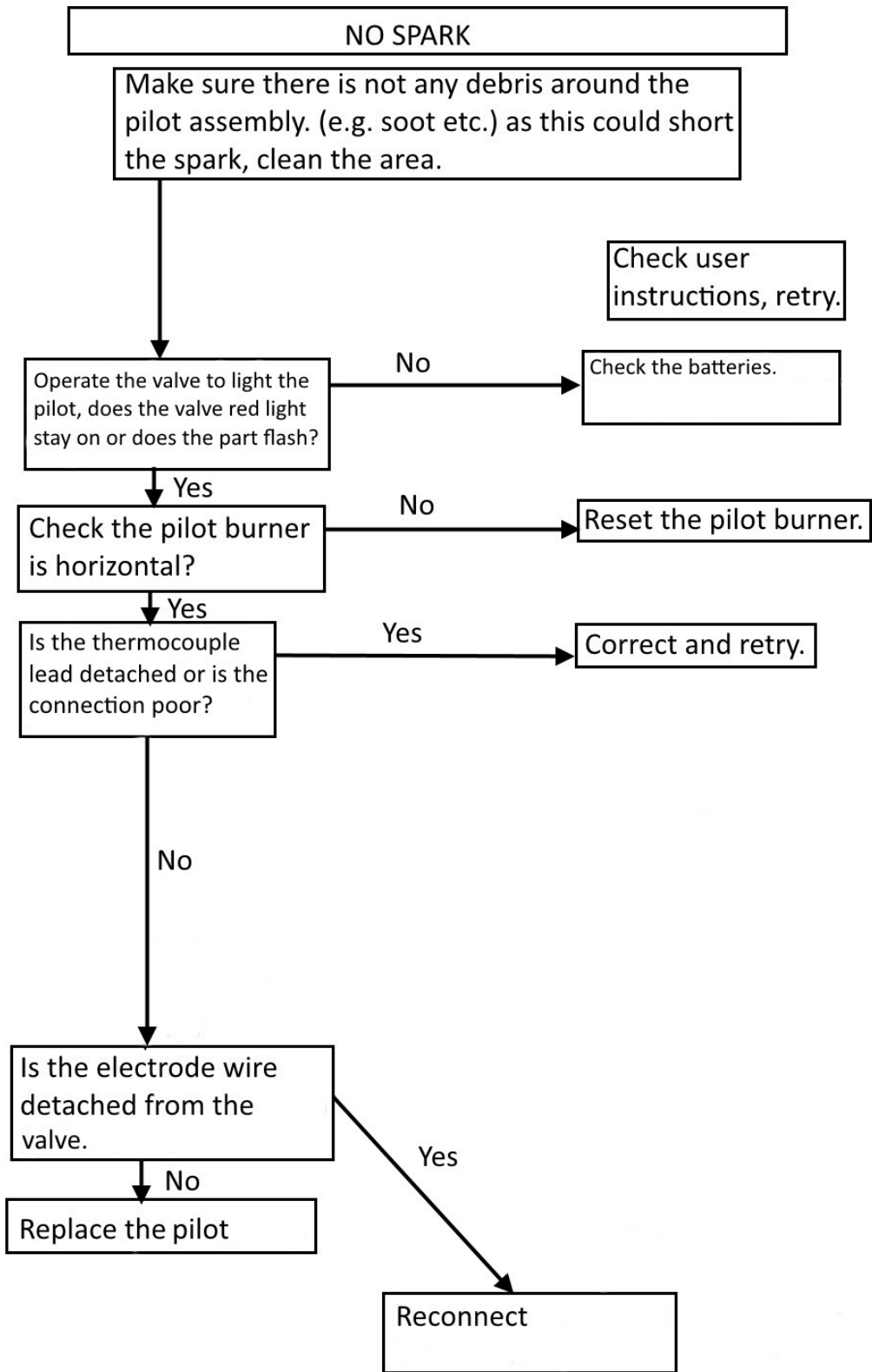
1. Remove the stove body front and glass as described in 'REMOVING THE STOVE BODY FRONT' (page 10).
2. Carefully lift-off the coal /log ceramics and remove the 3 ceramic base matrices.
3. Using a soft brush, clean away any lint or light carbon soot deposits out of the gas ports on the burner top plate.
4. Check the TTB bracket inside the draught diverter for blockage and clean as necessary.
5. Replace the ceramic matrices and loose coals/ logs as per the arrangement instructions. Use re-serviceable parts and/or new replacements as required (see next page for spares list).
For 'Coal Effect' ceramics use instructions in Section A (page 12).
For 'Log Effect' ceramics use instructions in Section B (page 14).
6. Replace the glass, stove body front and the doors.
7. Check the gas operating pressure and pipework for soundness; carry out a spillage test and check the condition of the flue.



For spare parts please go to our website – www.hunterstoves.co.uk/spares

TROUBLESHOOTING





User Instructions

PLEASE READ THESE INSTRUCTIONS CAREFULLY

It is important that your stove is correctly installed and operated, as Hunter Stoves cannot accept responsibility for any fault arising from incorrect installation of this product.

This manual is designed to ensure your stove is installed correctly and to familiarise you with its operation. **The handset will need to be paired with the valve prior to use details can be found on pages 20/21.**

Should you have further questions, please do not hesitate to contact your Hunter Stoves Retailer.

IMPORTANT POINTS FOR THE USER

- Read all instructions carefully before attempting to operate this appliance.
- If you have any doubts about the suitability of your chimney for the appliance, please consult your local Hunter Stoves Gas stockist/dealer. The chimney must be given a precautionary sweep before connection to the appliance.
- It is required by law that any appliance using gas is installed by a GAS SAFE registered fitter in conjunction with these instructions and in accordance with current regulations.
- Fires can be dangerous, always use a fireguard in the presence of children, the elderly or the infirmed.
- All outer surfaces of the appliance are working surfaces except for the gas control knobs.
- It should be noted that heat given off from this appliance might affect articles placed close to it. Curtains should not be positioned above the appliance or within 300mm of the sides. Caution should also be taken if the appliance is to be sighted near to 'embossed' type wallpapers.
- Although the appliance is referred to as a stove it is not designed as a 'cooker' or a 'dryer'. It is only CE approved for use as a room heater with a decorative fuel effect.
- **WARNING – Do not use the appliance if the glass panel is broken, removed or open.**
- **The GAS SAFE REGISTERED ENGINEER commissioned to install this appliance is wholly responsible for deciding the suitability of any flue arrangement to operate in conjunction with this gas appliance.**

NOTE: During the first few uses the appliance may emit an unpleasant odour. This is the paint curing. It is non-toxic, but for your comfort you may wish to ventilate the room by opening the doors and windows.

GAS LEAK

If you think you have a gas leak, or you can smell gas call the 24-hour Gas Emergency Services immediately on 0800 111 999.

Also, do the following:

- Turn off the gas supply at the Meter / emergency control valve.
- Do not turn on/off any electrical switches.
- Ventilate the property; open all windows and doors.
- Do not smoke. Extinguish all sources of ignition.

THE FIREBED

- The stove is supplied with base ceramics and coals/logs, which are to be arranged by the fitter in strict accordance with the installation instructions. The purchaser must not alter the layout of the coals/logs or add any extra coals/logs.
- The coals/logs used in this stove to produce a realistic coal/log effect are made from ceramic fibre-based material. The coals/logs may change colour after use, this is normal.

- Replacement base ceramic and coals/logs must be sourced from your approved Hunter Stoves Gas stockist or our website: www.hunterstoves.co.uk/spares.

OPERATING THE APPLIANCE

Please see instructions on page 21 for pairing the handset to the valve. It is strongly recommended that these instructions are read and thoroughly understood in advance of operating this appliance.

Gas Control Cover Plate

To gain access to the gas control valve, the cover plate must first be opened. The cover plate opens from the left and swings out, away from the stove to expose the gas controls.

Burner Controls

The gas control valve is situated at the front on the left-hand side of the appliance, behind the gas control cover plate.

Pilot Assembly

The pilot assembly is positioned at the front of the burner tray on the right-hand side.

Opening the Stove Doors

This appliance has been designed to run safely with the doors open. However, the doors will get hot when the stove is lit. **NEVER ATTEMPT TO OPEN OR CLOSE THE DOORS WITH BARE HANDS.** We would recommend the use of a quality heat resistant glove or gauntlet.

IMPORTANT NOTE

The stove is fitted with a spillage system (TTB), which is near the draught diverter and operates to shut the appliance off if the evacuation of combustion products is interrupted (for example caused by lack of flue pull or flue blockage).

If this occurs, restart the appliance (as detailed in the "Lighting the Appliance" section, page 22).

If the spillage system repeatedly operates to shut the appliance down, a GAS SAFE registered engineer should be contacted to examine the appliance and installation.

CARE, MAINTENANCE AND SERVICING

Check your chimney and flue arrangement at least annually and have the chimney system swept at least once a year.

Painted Appliances

Painted Finish - The stove is finished with a heat resistant paint and this can be cleaned with a dry microfiber cloth. Do not clean whilst the stove is hot. **At no point should any water based, or other cleaning products be used on the stove.** The finish can be renovated with Hunter Stoves paint, available either through our website: www.hunterstoves.co.uk/spares or through your local supplier.

Glass Panel

Clean the glass panel when cool with a propriety glass cleaner by applying the cleaner to a cloth. Do not apply directly to the glass as this could cause run of which could soak into the rope seals around the edge of the glass.

Highly abrasive substances should be avoided as these can scratch the glass and make subsequent cleaning more difficult.

Door/glass/rope replacement should only be carried out by a Registered Gas Safe Engineer.

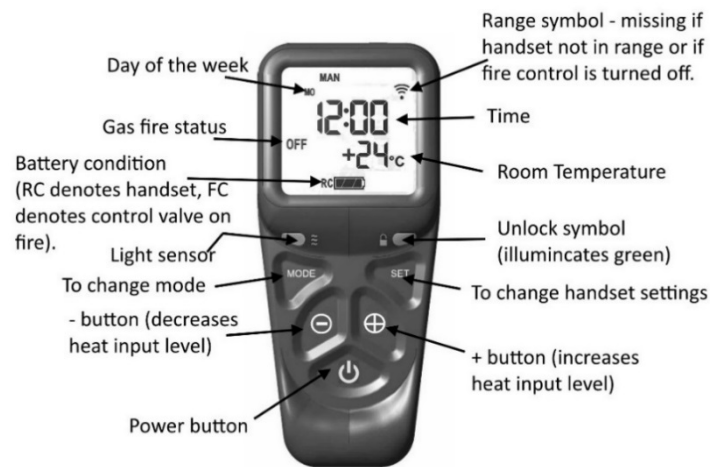
Servicing

A GAS SAFE registered fitter must carry out an annual service and where necessary replace unserviceable components with only genuine Hunter Stoves Gas parts.

Service Records can be kept on the following page for your convenience.

INSTRUCTIONS FOR REMOTE CONTROL USE

SETTING UP THE FULL FUNCTION HANDSET (LCD DISPLAY)



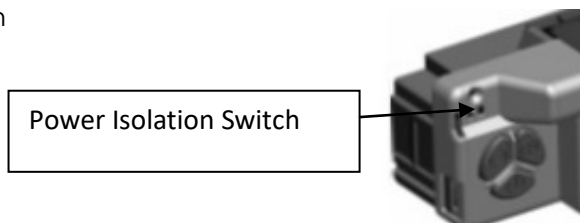
USING THE DISPLAY HANDSET.

IMPORTANT USER INFORMATION – READ THIS BEFORE ATTEMPTING TO OPERATE THE FIRE

For safety reasons, the handset is designed so as to avoid accidental operation. If, during proper use, the handset fails to communicate with the valve there is a possibility that the pairing has been inadvertently altered – in this case the handset will need to be reset and re-paired with the valve.

For normal use: -

- 1) Prior to using the handset for the first time insert new, alkaline, AA batteries into the valve and handset. Ensure they are mounted firmly and in the correct orientation, and that the battery covers are replaced fully. Ensure the small isolation switch on the gas control is switched to the **ON (I)** position



Hold the handset as shown, wrapping your hand around the handset to make good contact with both sides. The green unlock light should illuminate, activating the buttons (if the light is not illuminated, the buttons will not work).

Press and hold the power button, release as soon as PILOT appears on the display (approx. 1-2 seconds). The fire will commence ignition sequence. If successful, the fire will automatically go to maximum heat output.

NOTE: Releasing the power button too soon or depressing for too long after the PILOT appear, will cause the fire not to light because system assumes press to be unintentional.



To adjust the flame, hold handset to activate buttons, and use + and – to increase or decrease flame power accordingly. Tapping the button will increase or decrease flame stepwise, holding the button will skip through steps. The fire basket display on the handset will illustrate the level of flame being produced.

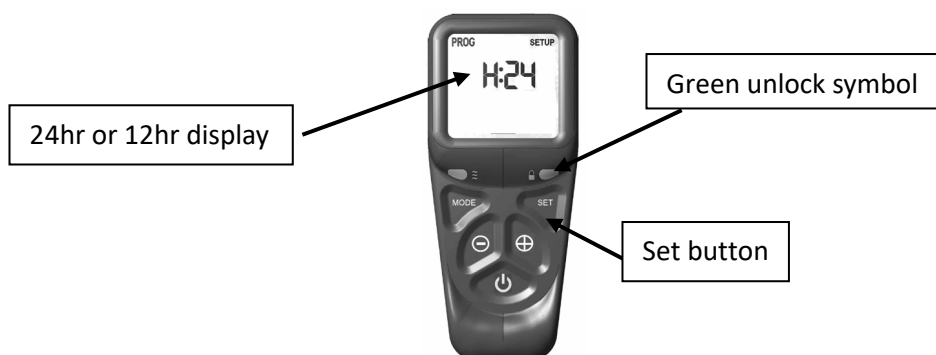


To STOP the fire, hold handset to activate buttons, then press the power button. The fire should shut off immediately (n.b. residual heat will remain). If you wish to start the fire again you must wait for OFF to be displayed on the handset before trying to re-start.

NOTE: THE HANDSET IS DESIGNED TO MAKE REMOTE OPERATION OF THE FIRE AS SAFE AS POSSIBLE. IT HAS BEEN SPECIFICALLY DESIGNED TO MINIMIZE THE RISKS OF ACCIDENTAL OPERATION, WITH THE EXPRESS INTENTION THAT SUCCESSFUL OPERATION CAN ONLY BE ACHIEVED BY A CONSCIOUS, DELIBERATE ACT. ERGO IT MAY TAKE SOME TIME TO BECOME FAMILIAR WITH THE INTRICACIES OF HANDSET OPERATION.

TIME, DATE AND TEMPERATURE

- 1) Hold the handset in one hand ensuring your hand is wrapped around the back and that your hand comes into contact with both sides of the handset. The green “unlock” light should light, and the screen will be as shown below.
- 2) The “H” symbol as shown below indicates that the timer can be set to either 24hr or 12hr mode. Press the + or – buttons on the handset to move between the two settings.

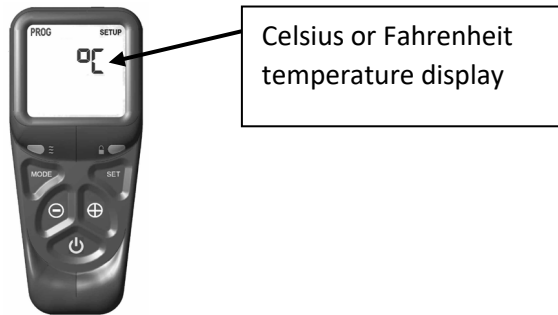


- 3) When you have chosen your display, option confirm by pressing the SET button on the handset.
- 4) Press and release the + and – buttons on the handset until the correct day of the week is shown then press SET.



- 5) As shown above the time on the handset can be set by using the + and – buttons to change the hour and then press SET. Repeat to set the minute (+ and -) then SET to store.

6) The handset will then display the temperature screen as shown below.



Celsius or Fahrenheit temperature display

7) The control is now ready for use with the burner.

NOTE: If the handset is misplaced, you can “page it” by pressing the + button only on the control valve on the fire for a period of 5 seconds. The handset will flash and make an audible sound to help find it. Once you have found the handset wrap your hand around the back so that your hand is in contact with both sides to stop the sound. The flashing and sound last for 60 seconds. If not found repeat actions.

ADVANCED SETTINGS FOR FULL FUNCTION HANDSET

SNOOZE MODE IN MANUAL OPERATION

- 1) Snooze mode is a time which can be set turn the fire automatically off after a certain period has elapsed.
- 2) Hold the handset in one hand ensuring it is in contact with both sides. The green light of the unlock symbol should be lit. The snooze time can be set either before or during manual operation of the fire.
- 3) Press the mode button to scroll through the functions until the symbols MAN and Zzz are flashing at the top of the display as shown below. Press and release the SET button and this will put the control into the manual snooze mode. The default time in snooze mode is 1 hour.



- 4) Pressing the set button again will show you the snooze time period remaining. The time can be adjusted by pressing the + or – buttons on the handset. The time period can be set from 1 minute to 4 hours (as shown below). Once done press the SET button.



- 5) When the countdown time for the snooze period has reached zero the fire will turn off.

THERMOSTATIC MODE

PLEASE NOTE: Thermostatic mode of this fire will only allow regulation of the room temperature by the fire when it has been already lit via manual operation of the handset. It will not allow the fire to light automatically due to low ambient room temperature and should therefore not be relied upon for frost protection purposes.

- 1) Unlock the handset as previously described and press and release the MODE button until the display has the thermometer symbol flashing at the top of the display. Press the SET button to enter this mode.



- 2) Press the SET button again to see the temperature setting that is set (the default is 24 degrees Celsius). If a different set temperature is required, whilst the display is showing this set temperature, press the + and – buttons to alter this setting, press the set button to store the required temperature, or alternatively leave the handset for a few seconds and the temperature will be stored automatically.
- 3) If at any time the power button is operated during thermostat mode, the control will cancel any thermostat operation and return the control to manual mode.

IMPORTANT NOTE: Thermostat mode will not light the fire automatically and will only regulate between the maximum and minimum burner setting. The fire must be lit manually via the handset and then you enter thermostat mode as described in this section and set the temperature. When no longer requiring the thermostat, mode turn off the burner and the handset will return to manual mode.

RESTORING COMMUNICATION WITH THE FIRE

FULL FUNCTION (LCD) HANDSET

If the handset for whatever reason has lost communication with the Fire Control valve, when the handset is held, the green light will be permanently lit but will pulse bright

In addition, the communication symbol



And other symbols will be missing from the display and it will appear as st

To reconnect do the following –



Reset the handset to clear the old pairing and enable it to accept a new pairing: -

1. Hold the handset as described previously to unlock the keypad and keep hold of the handset while doing all the following.
2. Press and hold the SET button and keep held for around 3 seconds until you hear a second beep. Release the SET button and PROG appears at the top left of the handset. SETUP should also be flashing at the top right corner of the display.
3. When SETUP is flashing, press and release the SET button to enter the menu. (H24 (or 12), will be flashing. Press and release the SET button about 9 more times until the display shows CA with a flashing 0. Press and release the + or – button once to change the CA0 to CA1. Then press and release the SET button once again. The display will now show 7ESC r4 (or any number next to the r).
4. The handset is now at factory reset condition and a new pairing can be performed, see next section.

A video is available on YouTube showing you how to do this please see link below –
<https://www.youtube.com/watch?v=-bbeSuk0lWl>

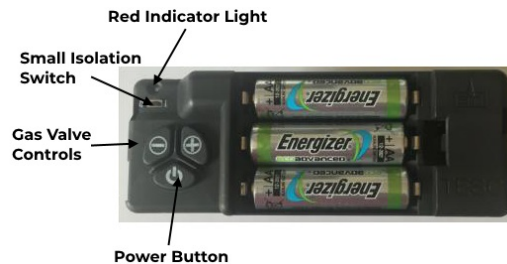
PAIRING THE HANDSET (LCD)

If the handset is in its factory reset condition as above, the display will read 7ESC and r and a number will show as below.



Picking up and holding the handset will unlock the keypad and the green light will illuminate a solid green (and the LCD backlight may come on if the room is dark enough).

NOTE: Ensure the small isolation slide switch on the top left of the gas fire control is slid to the right, (I) position to turn the power on to the valve.



1. Place the handset near the fire, i.e. within a metre (3 feet). No need to hold the handset at this time.
2. Simultaneously press and hold the – and + buttons on the gas valve control (not the handset) until the red light on top left of fire control begins to flash rapidly, (it will take about 5 seconds to start flashing), then immediately release the – and + buttons and quickly pressing just the POWER button on the gas fire control valve.

Note: Pressing of the power button must be done within 1 second of the red light coming on. If not done quickly enough, then the above must be repeated until done correctly.

3. When done correctly you will hear an audible sound from the handset and the display will show the symbol $\neg - \neg$ and the green light on the handset will be flashing. You now have 60 seconds to accept the pairing.
To do this pick up and hold the handset and hold it as previously described to activate the unlocking of the keypad and press and hold the “SET” button for a few seconds.
4. You will hear a few beeps from the handset and the display will change and enter the set-up menu and set display function.

IMPORTANT NOTE: Even in case you do not complete all of the setup, the pairing is still stored once accepted by pressing set the first time. The handset will re-enter setup mode at next unlock (pick up) or by entering set up mode manually. Do not send pairing request again from the valve! If this is done, then another factory reset of the handset will be required and reset and new pairing done again.

CARE AND MAINTENANCE

BATTERIES

- Ensure the batteries are replaced every 12 months will help to prevent damage to the valve and handset owing to leaking batteries.
- Do not mix battery brands and only use high quality, alkaline batteries (we advise Energizer).
- Keep contacts clean and do not bend them.
- Remove batteries if the fire is not used for lengthy periods (to prevent old batteries from leaking and damaging the valve).
- Do not operate the fire without the battery covers in place.
- If handset is dropped and damaged, obtain a replacement.
- If you have a display handset and it shows less than a full battery symbol on the display.
- If the red-light indicator on the valve is flashing every 10 seconds.
- If batteries are not replaced the fire will stop working or work intermittently.
- The handset (or valve) may give error codes, which may or may not be correct.
- The batteries may leak and cause permanent, irreversible damage to the electronics which would mean a replacement must be purchased (not covered by warranty).

REPLACING BATTERIES

The control consists of a handset and gas valve within the gas stove. There are batteries both in the handset (2 x 1.5v AA Alkaline) and in the valve (3 x 1.5v AA Alkaline). The battery covers can be opened without tools by using your finger tip and pressing to unhook the clip that retains the cover.



Remove and replace the batteries being careful not to bend the battery contacts. The batteries should be held firm in place by the valve contacts. It is as important to ensure the contacts on the battery, valve and handset are completely clean and dry and free from any contamination or surface damage. It is vital that the batteries are put inside in the correct direction as shown in the above photos. Pay special attention to the position to the “+” end of the battery.

RED INDICATOR

Issue	Meaning
Permanently lit	Unsuccessful ignition sequence – valve in lockout (E00)
Flashing rapidly	Valve is busy (will not accept any command)
Flashing once a second	Valve detects an error
Flashing once every 10 seconds	Error detected
Flashing twice every 10 seconds (handset only)	Indication of low battery power in handset
Flashing three times every 10 seconds (handset only)	Indication of low battery power in both handset and gas valve
Permanently off	Valve in standby or in a stable operation
On momentarily after power up	Valve doing a self-test
Appears after pressing start	Indicates time to release pressing the start button

VALVE ERROR

1. Let the fire cool down (if hot).
2. Check if batteries are good and mounted correctly. Replace with new batteries if in any doubt
3. Reset the error by first pressing the power button (once the fire has cooled down). Then press once again to try to start the fire.

IMPORTANT NOTE: The pairing of the handset is already done for you during manufacture and is not forgotten if the batteries are removed. (If using a handset with display, the time will be lost after some minutes of no power, but the pairing will remain. Refer to the instructions on how to set the time to restore the time to the display. Do not press the buttons on the valve to make a new pairing. If you do then you will have to reset the handset to accept a new pairing and make a new pairing, see the sections on restoring handset communication).

If the green indicator is flashing like a heartbeat, it is not in communication with the valve for some reason (on display handset additionally the communication symbol is missing see photo below).



Communication can be lost by:

- The slide switch on the valve not in the on (I) position.
- The batteries need replacing in the valve (see section)
- The handset is too far away from the fire (it needs to be some within a few metres)
- If the above is correct, and the handset is still flashing, then the pairing on the valve may have been accidentally altered and the handset will need to be reset, and a new pairing performed to restore communication (see section on restoring handset communication).

If this does not resolve the problem, call a service engineer.

THERE ARE VIDEOS AVAILABLE ON YOUTUBE TO WATCH THESE PROCEDURES. THESE CAN BE FOUND BY SEARCHING TESC GAS CONTROL

FREQUENTLY ASKED QUESTIONS

NOTE: USE THIS GUIDE IN ASSOCIATION WITH YOUR GAS FIRE USER HANDBOOK, ONLY ATTEMPT WORK AS RECOMMENDED IN THOSE INSTRUCTIONS AND WHERE SUITABLY QUALIFIED

WHAT SHOULD I DO IF MY FIRE DOES NOT LIGHT OR STAY LIT.

- Check if gas supply is on.
- If the fire is hot, wait for fire to cool down.
- If your fire has a remote handset, put the handset to one side and access the gas valve in the fire (check user instructions for details on how to do this).
- Remove battery cover from valve and check batteries are ok, with no leaks visible, or any other contamination present. If in doubt replace with new, unused batteries.
- When replacing batteries, ensure contacts are clean, dry, and free from any contaminants or surface damage. Be careful not to bend or displace contacts.

- Ensure to mount batteries in correct orientation.
 - Replace battery cover on valve.
 - Check ceramic parts (matrix, coils, logs, etc.) are in correct place and in good condition.
 - Perform any general cleaning of the fire as recommended by manufacturer's user instructions, particularly around the pilot assembly.
 - Replace correctly any part of the fire that was removed to allow access to the valve.
 - If the red light on the valve is lit, reset by pressing on/off button briefly (light should go out).
 - Start fire using control buttons on valve.
 - If fire does not light normally, wait until red light on valve indicates error or lockout.
- NOTE:** the valve may make several attempts to start the fire, this may take some minutes.
DO NOT interrupt the valve while it completes this process.

If the fire still does not function correctly: -

- Double check all of the above, in particular that the batteries are good, mounted correctly, and all contacts are clean and sturdy.
- If the manufacturer's user instruction manual details cleaning of the pilot, follow these instructions carefully.
- Reset the valve as above.
- Attempt to restart the valve several times.

If the fire still does not function correctly you may need assistance from a service engineer. Refer to manufacturer's user manual to seek engineer assistance.


If the fire lights, and appears to work correctly, pick up the handset to check correct function: -

- Hold the handset firmly, the unlock keypad light should be lit, solid green.

If **NO LIGHT** present on handset: -

- Check the batteries in the handset are good, mounted correctly and firmly, and there is no contamination or surface damage to the contacts.
- Clean and replace batteries as necessary.
- NOTE: If the battery contacts are contaminated (e.g. previous battery leakage) the handset maybe permanently and irreversibly damaged, meaning a new handset may need to be purchased.

IMPORTANT NOTE: THE HANDSET WILL NEED TO BE PAIRED WITH THE VALVE IN THE FIRE AFTER INSTALLATION. PAIRING IS NOT LOST IF BATTERIES ARE REMOVED. THE DISPLAY HANDSET MAY LOSE RECORD OF THE TIME IF BATTERIES ARE REMOVED BUT PAIRING WITH THE VALVE WILL REMAIN. REFER TO INSTRUCTIONS RELATING TO SETTING THE TIME TO RESTORE TIME TO THE DISPLAY.

If the green indicator light is flashing like a heartbeat, the handset is not communicating with the valve (on the display handset the communication symbol  will be missing)

Communication can be lost for various reasons including, but not limited to: -

- The slide switch on the valve not in **ON** (I) position.
- The batteries in the valve being low on power, or out of power.
- The handset being too far from the fire.

If the above are all in order and the handset is still flashing, pairing with the valve may have been unintentionally altered. The handset will need to be reset, and a new pairing with the valve established (see section on restoring handset communication).

If this does not resolve the problem a service engineer will be required.

Installation and Commissioning Checklist

PURCHASE INFORMATION	
Dealer/Retailer Name	
Address	
Telephone Number	
Email	
Date Purchased	

INSTALLER INFORMATION	
Installer Name	
Address	
Telephone Number	
Email	
Gas Safe Registration Number	

APPLIANCE INFORMATION	
Date Installed	
Appliance Stock Code	
Appliance Description	
Serial Number	

COMMISSIONING CHECK (Complete & Sign)		
	YES	NO
Does the chimney/flue system meet the appropriate standard?		
Has the chimney/flue system been swept and passed the soundness test?		
Has this appliance passed the flue draught test?		
Please write down the flue draught reading:		
Has this appliance passed the smoke test?		
Has this appliance passed the spillage test?		
Have you explained how to operate the appliance and explained the controls?		
Signature:	Print Name:	

SERVICE RECORDS

1st Service	
Date of Service	
Date of next Service	
Servicing Company/ Engineer	
Signature	

3rd Service	
Date of Service	
Date of next Service	
Servicing Company/ Engineer	
Signature	

5th Service	
Date of Service	
Date of next Service	
Servicing Company/ Engineer	
Signature	

7th Service	
Date of Service	
Date of next Service	
Servicing Company/ Engineer	
Signature	

9th Service	
Date of Service	
Date of next Service	
Servicing Company/ Engineer	
Signature	

2nd Service	
Date of Service	
Date of next Service	
Servicing Company/ Engineer	
Signature	

4th Service	
Date of Service	
Date of next Service	
Servicing Company/ Engineer	
Signature	

6th Service	
Date of Service	
Date of next Service	
Servicing Company/ Engineer	
Signature	

8th Service	
Date of Service	
Date of next Service	
Servicing Company/ Engineer	
Signature	

10th Service	
Date of Service	
Date of next Service	
Servicing Company/ Engineer	
Signature	

2 Year Standard Warranty

Any appliance bought through the showroom of an authorised Hunter Stoves Group dealership will automatically be covered by our standard 2-year conditional guarantee.

However, this standard 2-year warranty can be extended to a **5 year** or **10-year** conditional warranty dependent on the model type (5 years- Boiler model and Gas models, 10 years- Room heater).

To qualify for this extended warranty option, you need to:

1. Register your purchase online at <https://www.hunterstoves.co.uk/ProductRegistration>
2. Retain your proof of purchase.

Warranty Conditions

For the Standard 2 year or extended 5/10-year warranty to be valid and to remain in force throughout the warranty period the following must have been carried out:

1. The appliance must have been installed by an appropriately qualified engineer (from the Competent Person Scheme/Gas Safe) in accordance with the manufacturer's instructions and in compliance of any relevant national or local building regulations. Please visit the following links for details on the Competent Person Scheme: <https://www.gov.uk/guidance/competent-person-scheme-current-schemes-and-how-schemes-are-authorised> and Gas Safe register: <https://www.gassaferegister.co.uk/>
2. The appliance will need to be registered within two months of purchase and the commissioning and installation documentation completed (these need to be kept by the end user).
3. The appliance must be serviced within 12 months of the installation date for the second year of the standard warranty to be valid, and within every 12-month anniversary thereafter to maintain the validity and coverage of any extended warranty. For this purpose, the installation and user instructions, supplied with the appliance, makes a provision for receipts and annual services to be recorded. This is needed in the event of a claim during the warranty period.
4. Only genuine Hunter Stoves spare parts or consumables can be used in the servicing and maintenance of the appliance during any standard or extended warranty period. These can be sourced from your authorised supplier directly or through our website spares portal. www.hunterstoves.co.uk/spares.
5. Any problems or issues giving rise to any claim under the standard or extended warranty must be submitted to the authorised Hunter Stoves Group retailer from whom you originally purchased the appliance. Hunter Stoves Group will then offer appropriate support and help through your original authorised supplier to solve any issues.
6. The standard or extended warranty option is not transferable. It is solely for the benefit of the original purchaser of the appliance. For this purpose, please retain the proof of purchase.

Warranty Exclusions

No warranty period is extended to naturally-wearing replaceable consumables and spare parts within the appliance. Such parts include, but are not limited to:

For Solid Fuel Stoves:

Glass and rope/ceramic seals
Fire bricks
Baffles/Throat plates
Log retainers, grate supports & catch bars
Grate parts
Ash-pans
Clip-in Boilers

For Gas Stoves:

Gas pilot assemblies
Thermocouples and Oxy pilots
Ceramic log & coal 'fuel -effects'
Batteries

Paint and Surface Coverings

The paint or surface covering of the appliance will be covered (for 2 years after installation) provided the warranty conditions are met. However, damage due to the following events will not be covered:

1. Damage to the paint surface caused by the appliance being stored in a damp and cold environment is not covered under warranty. Please be aware that any moisture within the room where the stove is installed e.g. through clothes drying, can be a cause of paint issues.
2. In the course of the initial firings of the appliance the paint or enamel surface may change colour. This is normal and as such is therefore not covered under warranty.
3. Damaged caused by over firing, resulting in cracking, bubbling or discolouration to the paint or enamelled surface finish is not covered under warranty.

Warranty Limitations

1. Damage to the appliance due to specific local conditions caused by draft or chimney defects.
2. Damage resulting from installation and use where installation is not in accordance with the manufacturer's instructions or local building and/or safety regulations.
3. Damage or premature wear caused by burning inappropriate fuels such as Bituminous coal, "Petro-Coke" or any other Petroleum based coals. Please visit the HETAS website, www.hetas.co.uk, for a full list of approved fuels which are covered by the warranty. Fuels outside of this list are not covered by the warranty.
4. Damage caused by burning material with high creosote content or any other painted/treated timber.
5. Consequential loss to associated non-Hunter Stoves Group products is not covered under the warranty.
6. Consequential loss relating to decorations, soft furnishings or other household assets is not covered under the warranty.
7. Cost associated with the removal and re-installation of an appliance subject to a warranty claim.

Hunter Stoves Group total liability will only extend to the total purchase price paid for the goods in any warranty claim. Hunter Stoves Group reserve the right to replace, repair or refund to value of goods purchased.

ANY HUNTERS STOVES GROUP PRODUCT PURCHASED VIA AN INTERNET SUPPLIER, OR THROUGH AN UNAUTHORISED STOCKIST WILL ONLY BE SUPPORTED BY THE STATUTORY, 12 MONTH GUARANTEE AND WILL NOT QUALIFY FOR ANY EXTENDED 5- OR 10-YEAR WARRANTY.

The Hunter Stoves Group extended warranty option does not affect your statutory rights.

This revised standard or extended 5 or 10-year warranty option comes into effect on **1st September 2015** and will apply to all appliances sold from that date.

This standard/extended warranty applies to purchases of Hunter Stoves within the United Kingdom and the Republic of Ireland. Purchases in all other countries are subject to the warranty conditions specified by the distributor in those markets.



hunterstoves
GROUP

Hunter Stoves Ltd, 8 Emperor Way, Exeter Business Park, Exeter, Devon, EX1 3QS
www.hunterstoves.co.uk Email: info@hunterstoves.co.uk

FURTHER INFORMATION

For extra guidance on using your stove please contact your supplier/installer.

All genuine Hunter Group spares can be purchased through our website www.hunterstoves.co.uk/spares or through your authorised dealer.



huntergas
COLLECTION