



## **Electriflame VR Commodus S Electric Fire**

Electriflame VR Commodus S-1000 - B-1031402 - EFVR10RE  
Electriflame VR Commodus S-1250 - B-1032386 - EFVR12RE  
Electriflame VR Commodus S-1600 - B-1031403 - EFVR16RE

### **Packing Checklist**

- Electric Fire
- Remote Control Handset\* with wall mounting bracket
- Log Set
- Ember Ice Set
- Instruction Manual

**\*THIS PRODUCT REQUIRES 3 X AAA BATTERIES FOR USE IN THE HANDSET (NOT SUPPLIED)**

### **IMPORTANT**

**PLEASE READ THESE INSTRUCTIONS CAREFULLY BEFORE  
INSTALLATION AND USE OF THIS ELECTRIC FIRE AND RETAIN FOR  
FUTURE REFERENCE.**

Children of less than 3 years should be kept away unless continuously supervised. Children aged from 3 years and less than 8 years shall only switch on/off the appliance provided that it has been placed or installed in its intended normal operating position and they have been given supervision or instruction concerning use of the appliance in a safe way and understand the hazards involved. Children aged from 3 years and less than 8 years shall not plug in, regulate and clean the appliance or perform user maintenance.

This appliance is not intended for use by persons (including children) with reduced physical, sensory or learning disabilities, or lack of experience and knowledge, unless given supervision or instruction concerning use of

If the supply cord is damaged, it must be replaced by the manufacturer, its service agent or similarly qualified persons in order to avoid a hazard.

# IMPORTANT SAFETY ADVICE

**WHEN USING AN ELECTRICAL APPLIANCE, BASIC PRECAUTIONS SHOULD ALWAYS BE FOLLOWED TO REDUCE THE RISK OF FIRE, ELECTRIC SHOCK AND INJURY TO PERSONS, INCLUDING THE FOLLOWING IMPORTANT SAFETY ADVICE.**

**DO NOT** cover the heater, to avoid overheating of the product.



**DO NOT** leave the heater unattended while it is in use. Always turn the appliance to the OFF position and switch off at the mains socket when not in use.

**DO NOT** leave children unsupervised whilst the appliance is switched on.

**DO NOT** operate this appliance with a damaged cord or plug, or after the appliance malfunctions, has been dropped or damaged in any way. Contact the manufacturer.

**DO NOT** install a timer switch to operate the appliance.

**DO NOT** use this appliance as a freestanding appliance. It must always be securely fixed in accordance with the manufacturer's instructions.

**DO NOT** insert or allow objects to enter any ventilation or exhaust openings on the appliance. To prevent a possible fire do not block air intakes or exhaust openings in any manner.

**DO NOT** place this appliance near flammable materials, surfaces or substances, as there may be a risk of fire. Keep flammable materials, surfaces or substances at least 1 metre away from the front of the product.

**DO NOT** switch on the fire if volatile vapours are present in the room.

**DO NOT** use this appliance in any areas where petrol, paint or other flammable liquids are stored e.g. a garage or a workshop as the appliance contains components capable of producing a spark.

**DO NOT** touch any hot surfaces such as the heater vent when the heater is in use to avoid burns and personal injury.

**DO NOT** install the heater immediately below an electrical socket outlet.

**DO NOT** use outdoors.

**CAUTION-** Some parts of this product can become hot during use and cause burns. Particular attention has to be given where children and vulnerable people are present.

**This appliance is for household use only**

# Product Technical Data Sheet

<b>Supplier Name / Trademark</b>	CELSI
<b>Supplier Model Identifier</b>	B-1031402, B-1032386, B-1031403 ELECTRIFLAME VR COMMODUS S-1000, S-1250 & S-1600
<b>Voltage</b>	230v AC 50HZ
<b>Fuse</b>	13 Amp
<b>Nominal Heat Output (Measured)</b>	1.6 kW
<b>Minimum Heat Output (Indicative)</b>	0.8 kW
<b>Maximum Continuous Heat Output</b>	1.6 kW
<b>Type of heat Output / Room Temperature Control</b>	With electronic room temperature control plus 7 day timer
<b>Other Control Options</b>	With adaptive start control
<b>Manufacturers Name and Address</b>	BFM Europe Ltd. Gordon Banks Drive, Trentham Lakes, Stoke-on-Trent, Staffs, ST4 4TJ Tel: 01782 339000

## Fire Dimensions

	<b>Commodus S-1000</b>	<b>Commodus S-1250</b>	<b>Commodus S-1600</b>
<b>Height</b>	470mm	470mm	470mm
<b>Depth</b>	219mm	219mm	219mm
<b>Width</b>	1002mm	1252mm	1602mm

# Unpacking

Remove and discard the plastic bag.

Be responsible when handling the packing materials.

Keep the original packaging for future transportation and/or storage.

Check all accessories are removed from the packaging before storing it away for future use.

**KEEP PLASTIC BAGS AWAY FROM CHILDREN!**

## Choosing a suitable location

This electric fire is designed to be fitted into a stud wall or supplied suite. Alternatively it can be wall mounted to a solid wall using the wall mounting bracket as fitted to the rear of the fire.

The appliance must be kept away from any source of damp or moist conditions. Avoid any close contact with water.

The wall must be of sound construction and all fixings used must be suitable for the type of wall. If there is any doubt regarding the suitability of the installation site please contact your supplier.

From the front of the fire ensure that there is a minimum clearance of 50mm between any non-combustible materials. For combustible material clearances please consult with the manufacturer.

The fire can be connected direct or plugged into a mains socket which can be sited on the right hand side of the fire.

Ensure that the plug socket-outlet connection for this appliance is accessible. It **MUST** be readily accessible for easy electrical isolation in the event of servicing and replacing components etc. This appliance **MUST NOT** be located immediately below an electrical socket-outlet.

## Installation

**Installation must be carried out by a qualified and competent person.**

Connect the appliance to single-phase AC supply of the voltage specified on the rating plate.

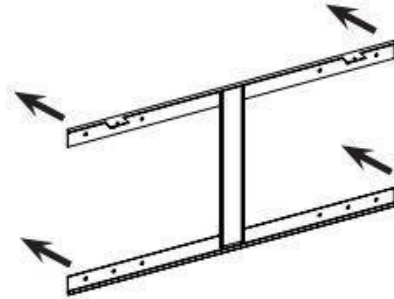
Should the fire be connected directly into the mains supply, then a fused switched spur with a 13 amp fuse must be fitted. It is imperative that the power supply is capable of handling a load of 2000 watts (2kw). This appliance must be earthed. Allow sufficient flex to enable the fire to be removed from the wall. **Do not use an extension lead.**

**Always ensure that all electrical work complies with the relevant Building Regulations and the Electrical Code of Practice. All electrical work should be carried out by a qualified electrician.**

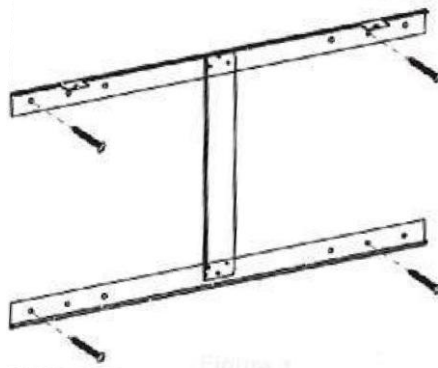
## Wall Mounting

Using a screwdriver remove the two screws that secure the wall mounting bracket to the top of the appliance and remove the wall mounting bracket and keep in a safe place.

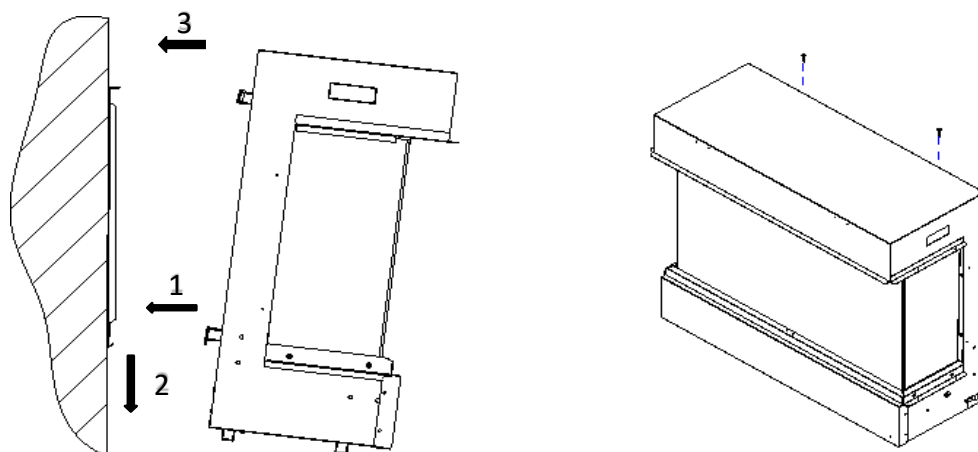
Position the mounting bracket where the appliance is to be installed on the wall and ensure that the bracket is level. Mark all 12 holes on the wall mounting bracket as shown below.



Fix bracket to wall using suitable size screws and wall plugs appropriate for the walls construction. Note heavy duty wall anchors or equivalent should be used when installing onto hollow/studded walls.



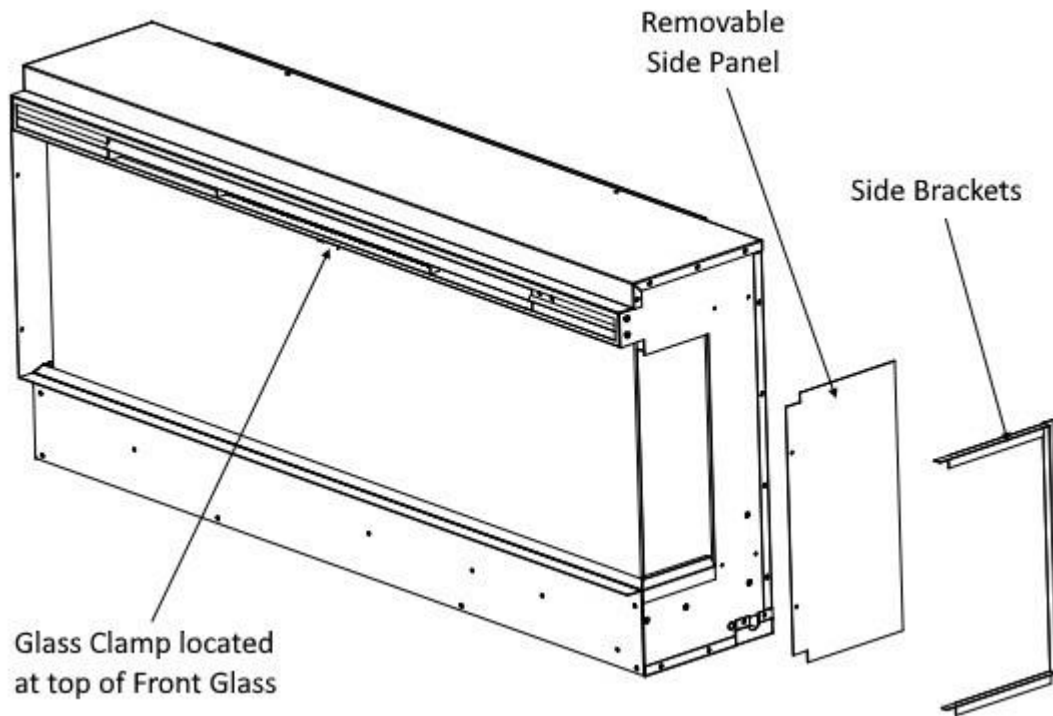
Hang the appliance onto the hooks at the bottom of the bracket and push the top of the appliance into the mounting bracket. Now fix the appliance to the mounting bracket by refitting the two screws which were removed at the beginning.



## Studded Wall Installation (Media Wall)

The fire can be installed as either a 1, 2 or 3 glass sided product. Out of the box the fire comes with removable side panels fitted to both ends of the firebox.

These side panels can be removed to create a side glass viewing window depending on your installation requirements. Remove the screws which hold the side brackets and side panel, refit the side brackets back into position.



## Laying the Log & Embers

Whilst supporting the front glass to prevent it from falling forward, remove the screws holding the glass clamp (see page 6) in place. Carefully tilt glass panel forward so the top edge is clear of chassis and slide upward enough to clear location at bottom of fire. Remove the glass and put in a safe place.

Take care when unpacking the Logs and the Ember Ice crystals supplied with your fire. Scatter the Ember Ice over the fire bed making sure the black and clear embers are mixed evenly.

Place the logs onto the Ember ice crystals to give the desired log layout as the example shown below



Refit the glass panel using the trim & screws previously removed.

# Operating the Fire

This appliance can be operated using 3 methods

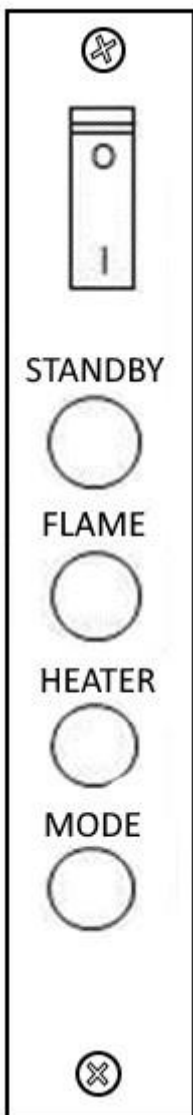
**Manual Control** using the controls on the fire

**Remote Control** using the included remote-control handset

**Celsi App Control** using your smartphone or tablet

## Manual Control

This appliance can be operated manually using the controls situated on the right-hand underside of the upper grille.



### ON / OFF Power Switch

This switch is used to turn the mains supply to the appliance ON or OFF. When the switch is in the ON position an indicator light located in the centre of the screen will glow amber to indicate the appliance is switched on and in standby mode. This needs to be in the ON position for both manual and remote operation.

### STANDBY

Used to switch appliance ON or OFF into standby mode.

### FLAME

Pressing this button will cycle through the 4 different flame brightness levels.

### HEATER

Use this button to select Low Heat, High Heat or heater OFF.

When LOW heat is selected the indicator light will glow amber for 5 seconds. When HIGH heat is selected the indicator light will glow red for 5 seconds.

*Please note the heater will only operate when the room temperature is below the temperature set on the handset, which can be adjusted using the remote control or app. When the heater switches off, the fan will still continue to run for a short period to allow the appliance to cool down.*

### MODE

Use this button to cycle through and select 1 of the 16 preset LED colour combinations. Press and hold until a confirmation beep is heard to set on 'Colour Animation' mode to slowly cycle through all the colour combinations.

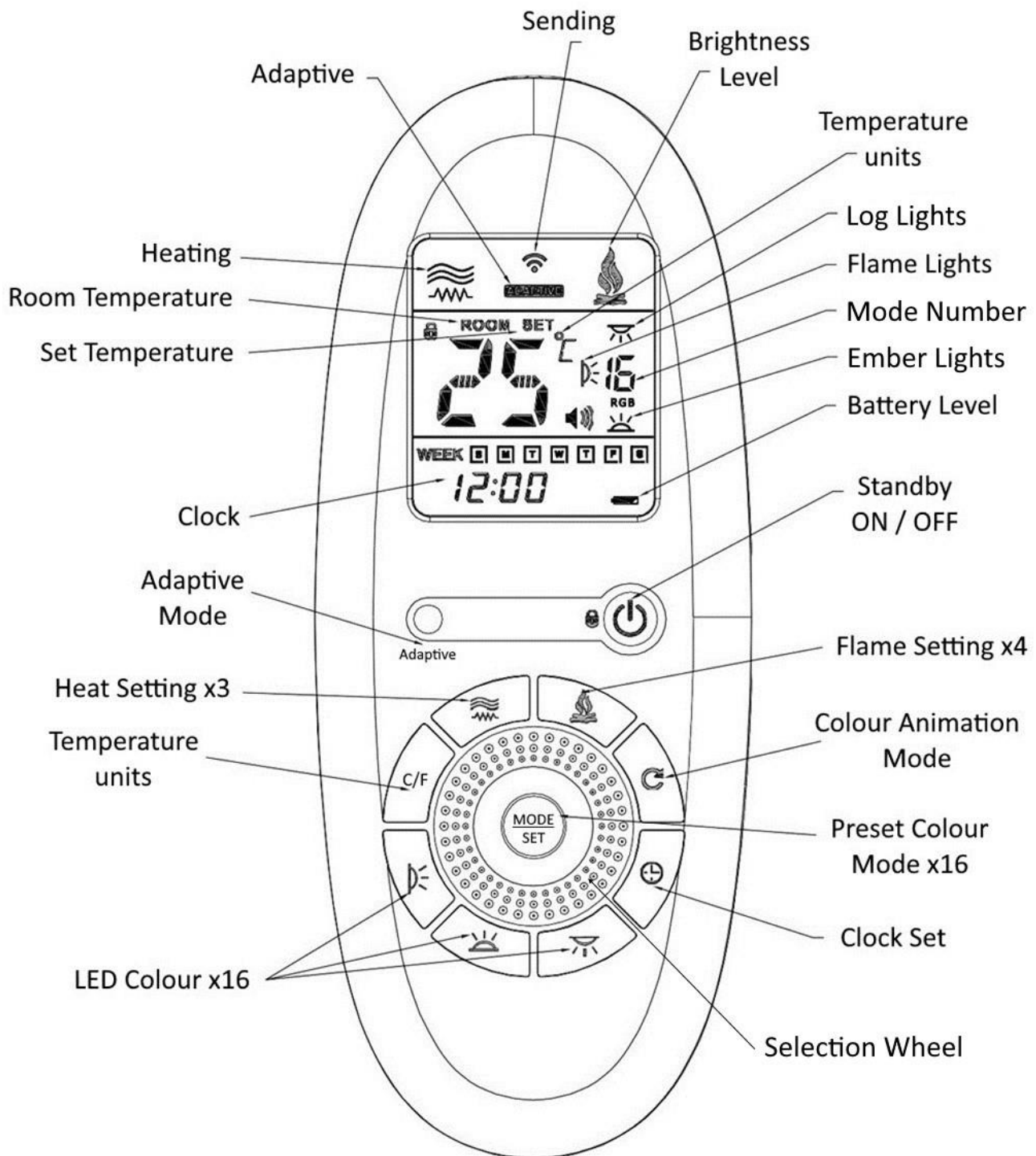


# Remote Control

Remove the battery cover on the rear and insert 3 x AAA batteries ensuring the batteries are fitted correctly. Refit the cover. Please ensure old batteries are disposed of responsibly by contacting your local authority about recycling schemes.

Ensure that the ON / OFF Power Switch on the fire is in the ON position.

Before the handset can be used the current day and time will need to be set (See Clock setting instructions on the next page).



To use the remote handset ensure it is pointed directly towards the fire and press the appropriate button to operate the fire.

### Operating the fire and Child Lock mode



1. Use the On/Off button to switch the fire On and Off.
2. Holding the button in for 5 seconds will enable the Child Lock mode (a padlock will appear on the handset display).
3. To disable the child lock press the On/Off button once.

*Note: that after a short period of time the handset will automatically enable the Child Lock mode*

### Clock Setting



1. Press the Clock Set button, which will start the day cursor to blink. Using the selection wheel rotate to the current day e.g. S M T W T F S then press the Clock Set button to confirm.
2. The hour will now be blinking, set using the selection wheel and confirm using the Clock Set button.
3. The minute will now be blinking, set using the selection wheel and confirm using the Clock Set button.

### Flame Setting



1. Pressing this button will cycle through the 4 brightness settings of the LED flame effects.

### Heat Setting



1. Use to change the heater setting from LOW, HIGH and OFF
2. When the heater is ON the actual room temperature is displayed on the handset
3. By using the selection wheel you can set the desired temperature, this will save after 5 seconds and the room temperature will be displayed

*Note: the heater will only operate when the room temperature is below the temperature set on the handset. When the heater switches off, the fan will still continue to run for a short period to allow the appliance to cool down.*



The displayed temperature can be displayed in Celsius or Fahrenheit. To change use the Temperature units button.

### LED Colour settings



1. Press the Mode/Set button and use the selection wheel to select one of the 16 preset LED colour combinations (the preset number will be displayed on the handset)

If preferred, the LED colour settings can be changed individually for the



Flame



Logs



Ember

1. Press the one of the buttons above (symbol will flash on display) and use the selection wheel to select your required colour setting for the specific lighting function.

Alternatively the fire can be set to Colour Animation mode



1. Pressing the Colour Animation mode button will set the Lighting to a red glow and then will slowly cycle through the 16 preset colour combinations.
2. Press the Colour Animation mode to exit the animation mode

### **Adaptive Mode**

Adaptive mode works in conjunction with the timer programmes. When Adaptive mode is turned ON the fire monitors the room temperature in relation to the selected target temperature. If the room temperature is sufficiently lower than the selected temperature the Adaptive mode will instruct the fire to switch on up to 10 minutes earlier than the set time to ensure the room is at the required temperature at the set time.

### **Celsi App control**

The Celsi app can be downloaded from the IOS App Store or the Google Play Store by either searching for Celsi or by scanning the QR code using a smart phone or tablet



The Celsi app can be used alongside the remote handset and provides additional feature of 7 day Timer function.

**\*\* During the initial set up of the App, the fire needs to be in pairing mode \*\***

### **Pairing Mode**

With the fire off and in Standby mode press and hold the Standby button on the fire to hear a beep and continue holding for 5 seconds to observe a red flashing light on the rear screen. When this light is flashing the product is in pairing mode

## App setup

1. Open the app and when prompted either create a new Celsi account or Login using your existing account details.
2. Once logged in, accept the notification to allow permission for the Celsi app to access Notifications and Bluetooth.
3. On your smart device ensure that Bluetooth and Wi-Fi are switched ON.
4. Ensure the fire is in pairing mode.
5. On the app the All Devices screen will be displayed. Press the + button at the top R/H corner.
6. Allow the app to connect to devices on local network.
7. Click on Add button to discover devices.
8. Click on Manual Input and add the name and password of the Wi-Fi network you are connecting the fire to.
9. Follow the on screen instructions to add device.

## Using the App



The Home page of the app will allow you to operate and customise the appearance of your fire using the touchscreen interface.

The app has all the same features as the remote Handset along with an additional 7 day Timer function. Using this function you can set timers for the fire to switch on at a given time day / time.

Further information is available within FAQ section of the app.

## IMPORTANT

This appliance is fitted with an automatic thermal cut-out safety feature to reduce the risk of damage to appliance due to overheating. If the appliance overheats the heater element will cut out whilst the fan will still continue to run to allow the fire to cool down sufficiently.

Once the appliance has cooled down the thermal cut-out will reset itself and switch the heater back on. If the problem persists switch the appliance off and disconnect the power at the switch and plug socket. Check that the heater warm air outlets and the inlets are not obstructed (the outlets and inlets are situated on the underside of the upper canopy). If the fire is installed within a chimney ensure that the chimney is blocked off as any draught can cause this problem.

If the heater is still not operating correctly disconnect the appliance and seek expert advice.

## Maintenance Instructions

**Always remove the plug from the socket-outlet and allow the heater to cool down before cleaning. User maintenance should only be carried out by a competent person.**

Light accumulated dust may be removed from the appliance with a soft dry cloth.

The exterior surface of the appliance can be cleaned with a soft damp cloth (not dripping wet). Dry the exterior surface before operating the heater.

Household glass cleaner can be used on the fire glass.

### WARNING!

Do not immerse the heater in water.

Do not use any cleaning chemicals such as detergents and abrasives.

Do not allow the interior to get wet as this could create a hazard.

**In the event of malfunction contact the manufacturer, do not try to repair the heater yourself as this may result in a fire hazard or electric shock.**

## Environment



Do not dispose of electrical appliances as unsorted municipal waste. Use separate collection facilities. Contact your local government for information regarding the collection services available in your local area. If electrical appliances are disposed of in landfills or dumps hazardous substances can leak into the groundwater and get into the food chain, thus damaging your health and wellbeing.

When replacing old appliances with new ones the retailer is legally obligated to take away your old appliance for disposal free of charge.

# Warranty

Congratulations on the purchase of your electric fire. This fire by BFM Europe Ltd is guaranteed for 5 years from the date of purchase against faulty materials or workmanship. Please note the 5 year guarantee comprises of 24 months of parts and labour with an extended 36 months of parts only. If your appliance is found to be defective within 24 months from the date of purchase, we or our authorized agent will repair the faulty component on site.

This warranty does not cover consumable items which have a limited lifespan. If a problem should occur, the nature of the problem together with the date of purchase and installer information should be immediately reported to the retailer that the appliance was purchased from. Proof of purchase will be required so the original invoice should be retained.



B-1032285  
Issue 2

BFM Europe Ltd  
Gordon Banks Drive  
Trentham Lakes  
Stoke-on-Trent  
ST4 4TJ

Technical Queries: 01782 339039  
Service Fault Enquiries: 01782 339008