

# The Collection

by MICHAEL MILLER

## Eden Elite MK2 & Avignon Eden Elite MK2

**HIGH EFFICIENCY INSET LOG EFFECT GAS FIRE**

**Installation, Maintenance & User Instructions**

**Hand these instructions to the user**

**Model No. DEEL\*\*RN2 is for use on Natural Gas (G20) at a supply pressure of 20mbar in G.B. / I.E.**

**\*\* Denotes cosmetic variance**

## **Information Requirements for Commission Regulation (EU) 2015/1188**

<b>Model Identifier</b>	<b>DEEL**RN2</b>
<b>Indirect Heating Functionality</b>	<b>No</b>
<b>Direct Heat Output</b>	<b>4.2kW</b>
<b>Indirect Heat Output</b>	<b>Not Applicable</b>
<b>Fuel</b>	<b>Natural Gas (G20)</b>
<b>NOx Emissions</b>	<b>130mg/kWh</b>
<b>Nominal Heat Output</b>	<b>4.2kW</b>
<b>Minimum Heat Output (Indicative, all models)</b>	<b>1.0kW</b>
<b>Useful Efficiency at Nominal Heat Output</b>	<b>70.7%</b>
<b>Useful Efficiency at Minimum Heat Output (Indicative)</b>	<b>50.0%</b>
<b>Auxilliary Power Consumption at Nominal Heat Output</b>	<b>0.00001kW</b>
<b>Auxilliary Power Consumption at Minimum Output</b>	<b>0.00001kW</b>
<b>Auxilliary Power Consumption at Standby Mode</b>	<b>0.00001kW</b>
<b>Permanent Pilot Flame Requirement</b>	<b>Not applicable</b>
<b>Type of Heat Output / Room Temperature Control</b>	<b>With electronic room temperature control.</b>
<b>Contact Details</b>	<b>BFM Europe Ltd. Gordon Banks Drive Trentham Lakes North Stoke-on-Trent ST4 4TJ  Tel : 01782 339000</b>

# CONTENTS

	<b>PAGE</b>
<b>Section 1 Information and Requirements</b>	
1.0 Appliance information	3
1.1 Conditions of installation	4
1.2 Flue & Chimney Suitability	4
1.3 Shelf position	5
1.4 Hearths	5
1.5 Fireplace opening into brick chimney or studded wall	6-8
1.6 Spillage monitoring system	8
<b>Section 2 Installation of Fire</b>	
2.1 Unpacking the combustion chamber	9
2.2 Planning the gas supply route	10-11
2.3 Installing the firebox	11-17
2.4 Gas tightness and inlet pressure	18
2.5 Finishing the product aperture / fitting the plastering frame	19
2.6 Installing the Avignon surround	20-21
<b>Section 3 Assembling Fuel Bed and Commissioning</b>	
3.1 Fitting the fuel bed logset	22-27
3.2 Fitting the batteries	28
3.3 Operation of the fire	29-31
3.4 Lighting the fire	32-35
3.5 Advanced settings of remote control	35-39
3.6 Checking for clearance of combustion products	40
3.7 Removal / re-fitting the restrictor baffle	41
<b>Section 4 Maintenance</b>	
4.1 Removal of the burner assembly	42
4.2 Removal of the control valve	42
4.3 Removal of the oxy-pilot	43
4.4 Replacing the batteries in the handset	43
4.5 Replacing the batteries in the fire	43
4.6 Access and checking the flue debris void	43
4.7 Spare parts shortlist	44
<b>Section 5 User Instructions</b>	
5.1 Conditions of installation	45
5.2 About your new fire	46
5.3 Lighting the fire	47-49
5.4 Operating the fire and user controls	49-52
5.5 Changing the batteries in handset and in the fire	52
5.6 Setting the time, date and temperature on the remote handset.	53-56
5.7 Advanced settings of the remote control	57-60
5.8 Cleaning instructions	60
5.9 Removal / re-fitting the glass panel	61-62
5.10 Removal / replacement of the fuelbed	63-68
5.11 User replaceable parts	69

Model number **DEEL\*\*RN2** is manufactured by:-  
BFM Europe Ltd. Trentham Lakes, Stoke-on-Trent, Staffordshire, ST4 4TJ.

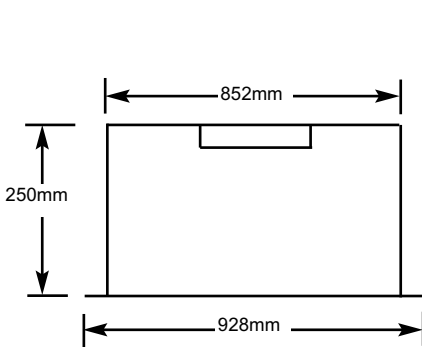
# SECTION 1 INFORMATION AND REQUIREMENTS

## 1.0 APPLIANCE INFORMATION

Main injector : (1 off)	Stereomatic Cat 82 – size 400 (NG)
Pilot Type :	ERTA PG-82-330-2
Maximum Gross Heat Input :	6.6kW
Minimum Gross Heat Input :	2.0kW
Cold Inlet Pressure :	G20 20.0+/-1.0 mbar (8.0 +/- 0.4 in w.g.)
Ignition :	Via remote, integral to control system
Electrode Spark Gap :	4.0mm
Packed Weight :	55.0kg

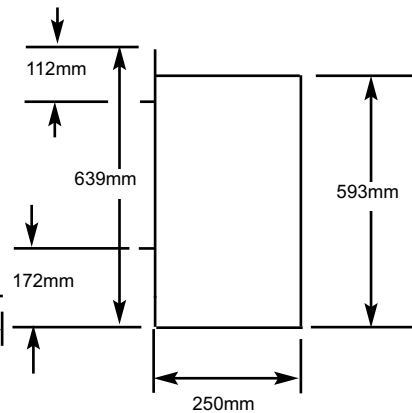
**Fig. 1**

**Top View of Combustion Chamber**



**Fig. 2**

**Side View of Combustion Chamber**



# INSTALLATION REQUIREMENTS

## 1.1 CONDITIONS OF INSTALLATION

It is the law that all gas appliances are installed only by a GAS SAFE Registered Installer, in accordance with these installation instructions and the Gas Safety (Installation and Use) Regulations 1998 as amended. Failure to install appliances correctly could lead to prosecution. It is in your own interest and that of safety to comply with the law. The installation must also be in accordance with all relevant parts of the Local and National Building Regulations where appropriate, the Building Regulations (Scotland Consolidation) issued by the Scottish Development Department, and all applicable requirements of the following British Standard Code of Practice.

1. BS 5871 Part 2 Installation of Inset Live Fuel Effect Gas Fires
2. BS 6891 Installation of Gas Pipework
3. BS 5440 Parts 1 & 2 Installation of Flues and Ventilation
4. BS 1251 Open fire place components
5. BS 715 / BS EN 1856-2 Metal flue pipes for gas appliances
6. BS EN 1858 Clay Flue Blocks and Terminals
7. IS 813 : Domestic Gas Installation (Republic of Ireland)

**No purpose made additional ventilation is normally required for this appliance, when installed in G.B. When installing in I.E. please consult document I.S. 813 Domestic Gas Installation, which is issued by the National Standards Authority of Ireland. If installing in Northern Ireland, please consult local building regulations. Any purpose made ventilation must be checked periodically to ensure that it is free from obstruction.**

## 1.2 FLUE AND CHIMNEY SUITABILITY

This appliance is designed for use with conventional brick built or lined chimneys and fabricated flues and metal flue boxes conforming to BS 715 / BS EN 1856-2. All flues must conform to the following minimum dimensions.

<b>Minimum diameter of circular flues</b>	<b>125 mm</b>
<b>Minimum effective height of all flue types</b>	<b>4 metres</b>

Safe clearance of products must always be checked by carrying out a smoke match test as described in section 3.6

### **1.3 SHELF POSITION**

The fire may be fitted below a combustible shelf providing there is a minimum distance of 300mm above the top of the fire and the shelf does not project more than 150mm. If the shelf overhangs more than 150mm the distance between the fire and the shelf must be increased by 15mm for every 25mm of additional overhang over 150mm.

### **1.4 HEARTH**

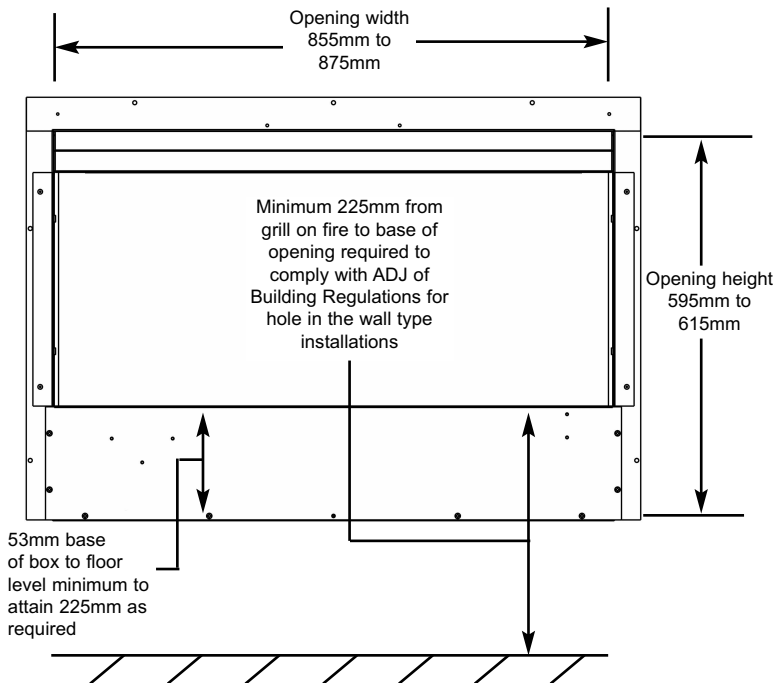
This appliance does not require the fitting of a hearth that projects in front of it when installed into a recess in either an existing chimney breast or a stud wall, providing the appliance is installed a minimum of 225mm above the floor level. The appliance must however stand on a non-combustible base that is a minimum thickness of 12mm. If installed with a BFM Europe supplied Avignon suite use the hearth panel supplied.

## 1.5 FIRE PLACE OPENING

### 1.5.1 Fireplace Opening for Engine Only Applications into Brick Chimney

The front opening of the fire place must be between 855mm and 875mm wide, between 595mm and 615mm high and 300mm deep. If the opening exceeds these dimensions then a surround must be constructed from suitable non-combustible material to produce a correct size opening. Any surround must be suitably sealed to the fire place to prevent leakage. See below in figure 3.

Fig. 3

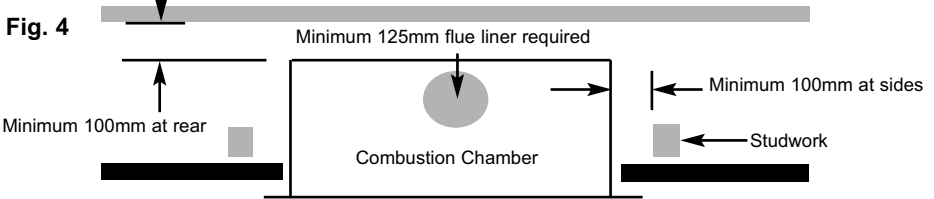


**NOTE** :- If installing with a retailer designed surround package **please consult the retailer to determine installation height required for the fire.**

When installing into a brick built chimney, you must ensure that there is sufficient depth to accommodate any debris which may fall from the chimney. This depth must be sufficient to accommodate 12 litres of volumetric space in a conventional brick built chimney.

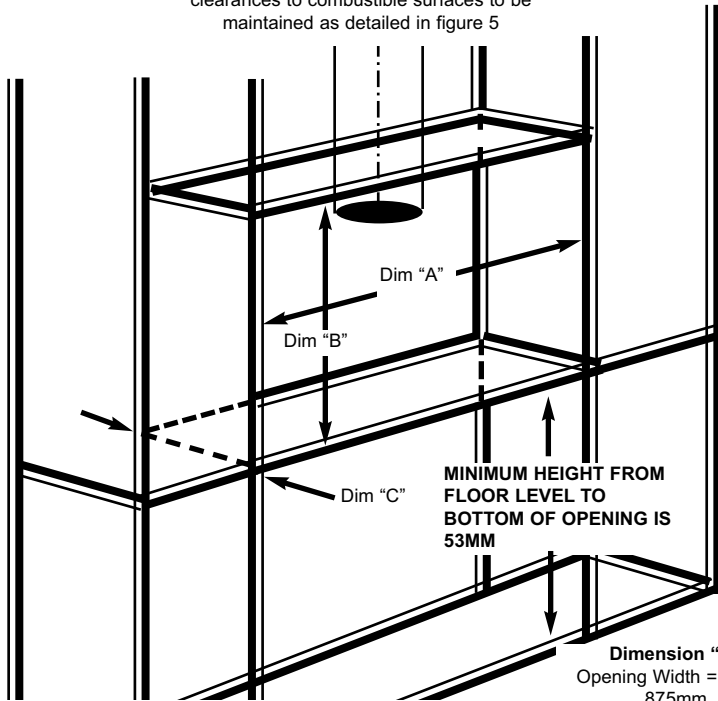
### 1.5.2 Fireplace Opening for Engine Only Applications into False Chimney Breast (Studwork)

All combustible parts of the studwork must be set at the distances as shown below in figure 4 & 5. For installation into such applications a flue box with 125mm flue pipe adaptor is available to purchase as a cost option extra, please order part number 1178-182310, from your local stockist.



125mm diameter minimum flue liner required, clearances to combustible surfaces to be maintained as detailed in figure 5

**Fig. 5**



**PLEASE NOTE :** For the front face of the studwork a non combustible board such as "Versa Tecbor" should be used in a double 12mm thickness. Opening to be finished 853mm width by 358mm height. "Versa Tecbor" board is available from Euroform Products Ltd, Tel : (01925) 860999, [www.euroform.co.uk](http://www.euroform.co.uk)

**Dimension "A"**  
Opening Width = 855 to 875mm

**Dimension "B"**  
Opening Height = 595mm to 615mm

**Dimension "C"**  
Minimum Depth 300mm



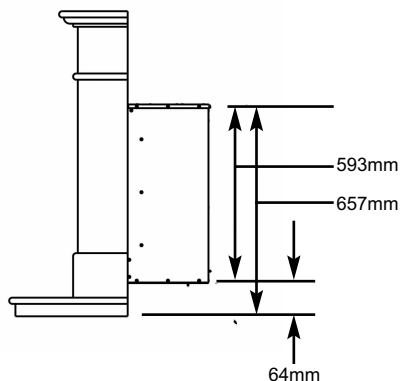
### 1.5.3 Fireplace Opening for Avignon Eden Elite Surround into Brick Chimney or Studwork Application

If fitting this fire with a surround supplied from BFM Europe then the fireplace opening of width of 855mm minimum to 875mm maximum and height 595mm minimum to 615mm maximum needs to be prepared at a height of 64mm when installed with the Avignon Eden Elite Surround. See figure 6 below for height required for installation with this surround. If installing into studwork ensure clearances to combustible materials are maintained as per section 1.5.2

Fig. 6

#### Avignon Eden Elite Surround

Opening to be 64mm from floor level to base of opening



## 1.6 SPILLAGE MONITORING SYSTEM

This appliance is fitted with an atmosphere sensing spillage monitoring system in the form of an oxygen sensing burner. This is designed to shut the fire off in the event of a partial or complete blockage of the flue causing a build up of combustion products in the room in which the fire is operated. **The following are important warnings relating to this spillage monitoring system :-**

- 1.6.1 The spillage monitoring system must not be adjusted by the installer.
- 1.6.2 The spillage monitoring system must not be put out of operation.
- 1.6.3 When the spillage monitoring system is exchanged only a complete original manufacturers part may be fitted.

## SECTION 2 INSTALLATION OF FIRE

### 2.1 UNPACKING THE COMBUSTION CHAMBER

Carefully lift the combustion chamber out of the carton. Remove the loose item packaging carefully from the pack. Check the contents as listed :-

**DO NOT UNDER ANY CIRCUMSTANCES USE THIS APPLIANCE IF THE GLASS PANEL IS BROKEN OR NOT SECURELY FIXED TO THE FIREBOX.**

#### Packing Check List - All models

##### Pack 1 - Fire Pack

- 1 off Combustion chamber & glass panel
- 1 off Boxed ceramic log set (packed inside combustion chamber)
- 1 off Installation instruction / user manual
- 1 off Guarantee card
- 1 off Bag of "Embaglow"
- 2 off Bags of standard vermiculite
- 2 off Bags of black vermiculite
- 1 off Thermostatic remote handset
- 1 off Loose items pack – containing :-
  - 4 off No. 12 x 40mm screws
  - 4 off rawlplugs
  - 5 off AA 1.5V batteries
  - 1 off glass clamp
  - 1 off efficiency baffle & 2 off screws
  - 2 off 25mm grommets
  - 1 off battery pack

##### Pack 2 - Optional Trim (if selected as optional extra)

- 1 off 4 side trim assembly (use magnets supplied on existing enamel sides on fire to secure trim)

##### Pack 3 - Surround (if selected as optional extra)

- 1 off Supplied in wooden crate, see section 2.6

**PLEASE NOTE : Due to the high level of heat produced by this product we recommend that Plasma / LCD televisions are not placed in close proximity to this product.**

2.2.1

Before installing the combustion chamber, decide from which side or if a rear connection to the gas supply is required. Plan the pipe run to enter from the rear or below the firebox from the left, right or rear and connect to the inlet elbow. See figure 7, 8 & 9 below. The gas connection is located at the centre left hand side of the fire. **Note : Before breaking into the gas supply a gas tightness test should be carried out to establish that the existing pipework is sound.**

Fig. 7

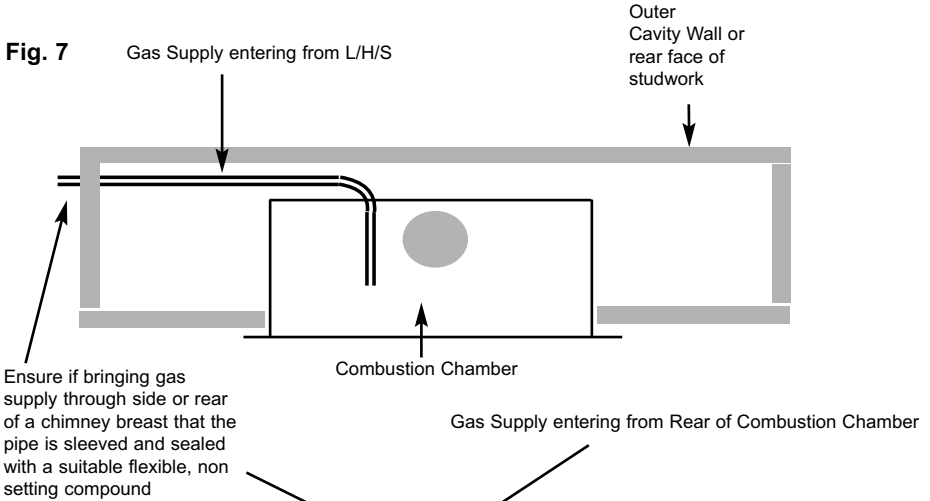


Fig. 8

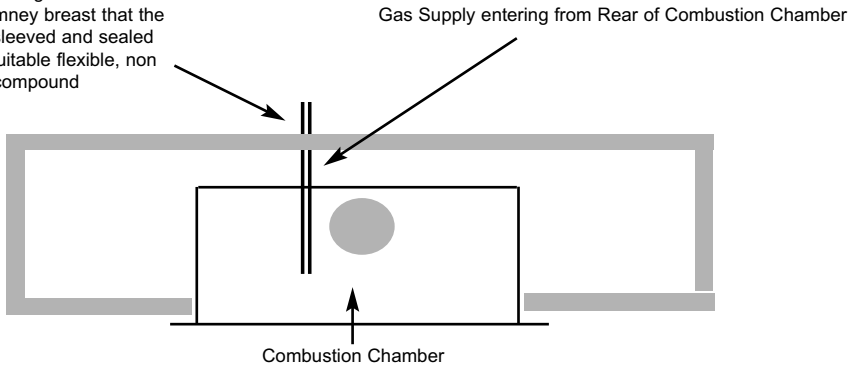
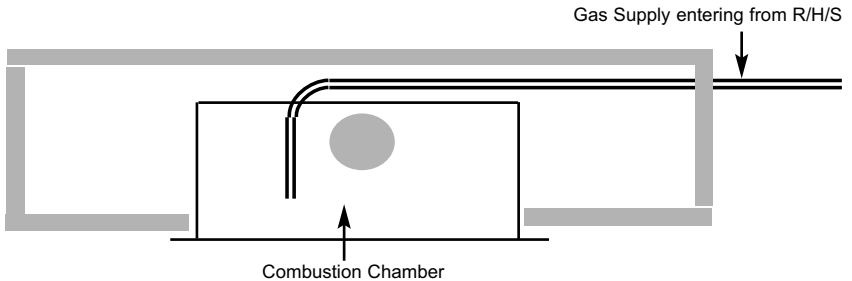
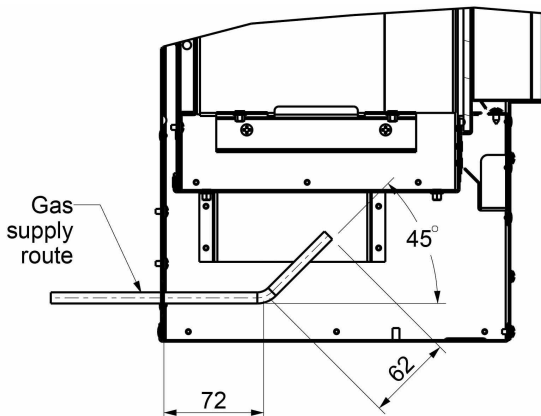


Fig. 9



2.2.2 The gas supply can be routed into the fire from the centre left hand side, see figure 10 below for dimensional information regarding position and route of gas supply pipe, approximately 72mm in from rear face of fire box with a 45 degree bend in the vertical plane 62mm from the bottom edge of the supply pipe.

Fig. 10



### 2.3 INSTALLING THE FIRE BOX

Establish which type of flue you are intending to install the fire in to :-

225 x 225mm (9 inch x 9 inch) brick built chimneys

175mm (7 inch) diameter lined brick or stone flue, or insulated pre-fabricated metal flue box to B.S. 715.

When installing into 125mm (5 inch) diameter lined brick or stone flue, or insulated pre-fabricated metal flue box to B.S. 715, the restrictor baffle must not be fitted.

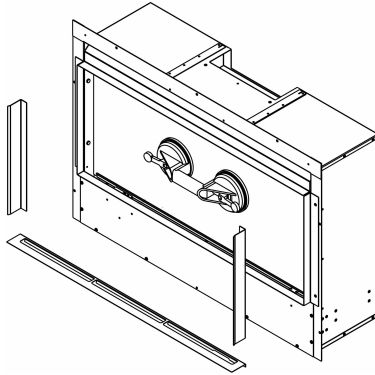
**A spillage test must always be carried out to check satisfactory clearance of flue products, regardless of the type of flue the appliance is being fitted to.**

If the flue requires lining, an optional extra flue connection plate assembly can be ordered to assist with the flue connection. This assembly can be obtained from your local BFM Fires stockist, please quote part number 1178-183230. Included with this assembly are fitting instructions.

## 2.3 INSTALLING THE FIREBOX (CONTINUED)

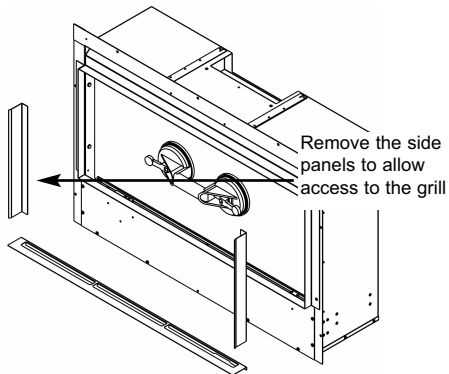
- 2.3.1 To remove the glass panel, the glass clamp as supplied in the loose items pack will be required. Secure the clamp to the glass panel as shown below in figure 11.

Fig. 11



- 2.3.2 Remove the front grill by removing the 2 off side trims by simply lifting clear (they are retained by magnets). See figure 12 below.

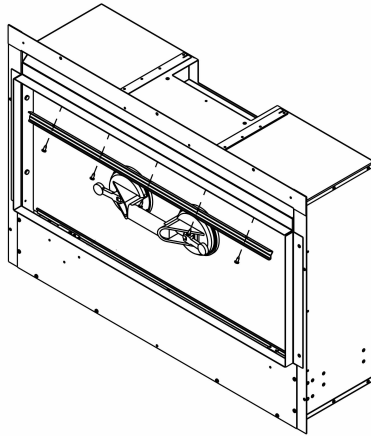
Fig. 12



**NOTE :** Always ensure that a consistent seal between the combustion chamber and the glass panel is achieved when replacing the glass panel.

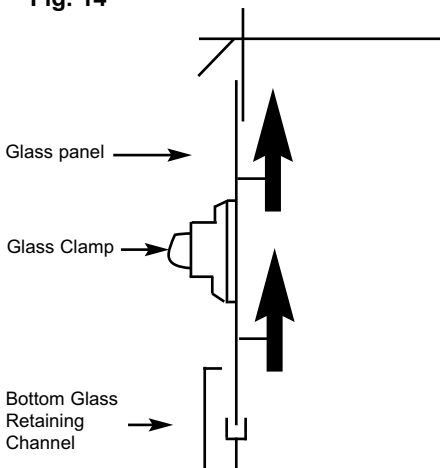
- 2.3.3 Remove the 5 off securing screws and glass panel retaining bracket that are located on the top underside face of the combustion chamber behind the canopy. See figure 13 below.

**Fig. 13**

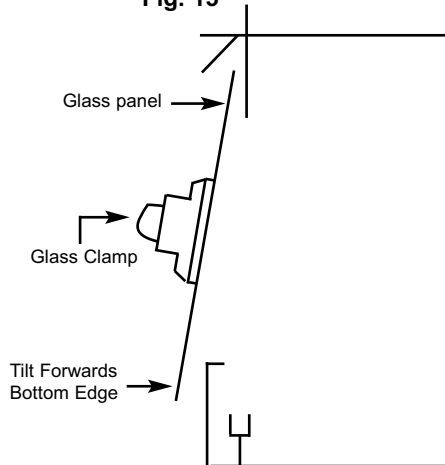


- 2.3.4 Lift the glass panel vertically to release from the bottom retaining channel and then tilt forwards as shown below in figures 14 & 15 to release.

**Fig. 14**

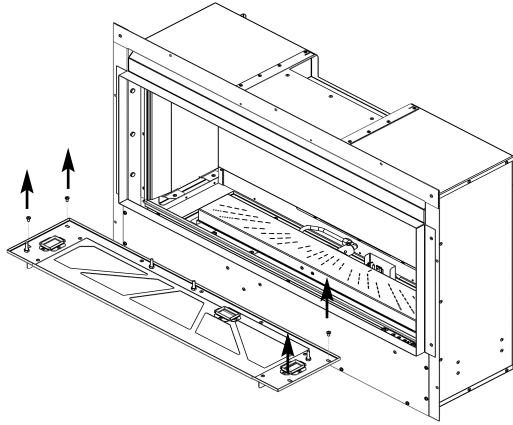


**Fig. 15**



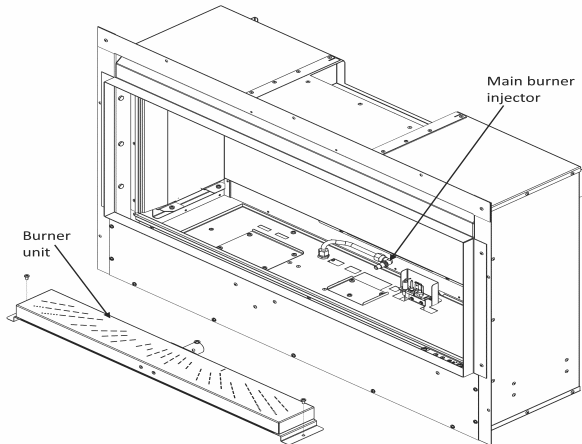
2.3.5 Remove the 4 off screws as shown below in figure 16, lift out the ceramic support shield and store in a safe place.

**Fig. 16**



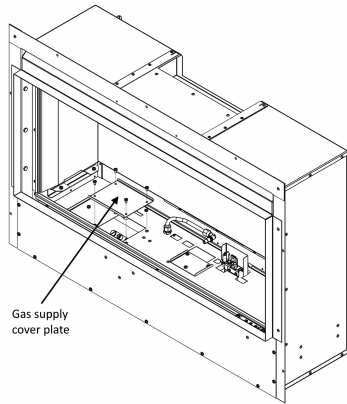
2.3.6 This will allow access to the 2 off burner retaining screws, 1 off at each side as shown below in figure 17. With the 2 off burner screws removed, loosen the screw holding the injector then lift the burner unit clear then remove in a forward direction.

**Fig. 17**



2.3.7 The gas supply cover plate then can be removed via 4 screws as shown below in figure 18.

**Fig. 18**

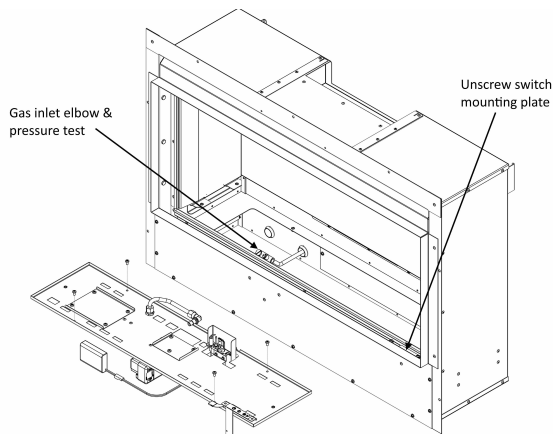


2.3.8 Make the gas connection to the inlet elbow as prepared in section 2.5 The burner plate can be removed by removing 4 off screws as shown below in figure 19 to allow the gas supply pipe to be routed. Before making the final gas connection, thoroughly purge the gas supply pipework to remove all foreign matter, otherwise serious damage may be caused to the gas control valve on the fire.

**Failure to purge the gas supply will invalidate the guarantee.**

2.3.9 Replace the burner unit in reverse order as shown below in figure 19.

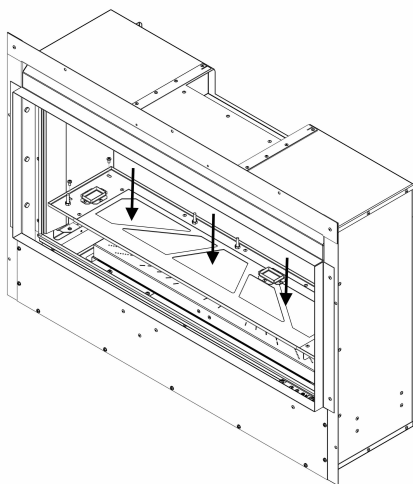
**Fig. 19**





- 2.3.10 Remove the pressure test point screw from the inlet elbow and fit a manometer.
- 2.3.11 Turn on the main gas supply and carry out a gas tightness test as per section 2.4
- 2.3.12 Fit the batteries to the battery box and handset as per section 3.2
- 2.3.13 Finish the surface covering around the opening as shown in section 2.5
- 2.3.14 Replace the burner tray cover as shown below in figure 20, the ceramics as shown in section 3.1 & 3.2 as applicable and glass panel. Fit the batteries as per section 3.2 then replace the side trims which are retained by magnets and the front grill, then proceed to section 3.3 (lighting the fire).

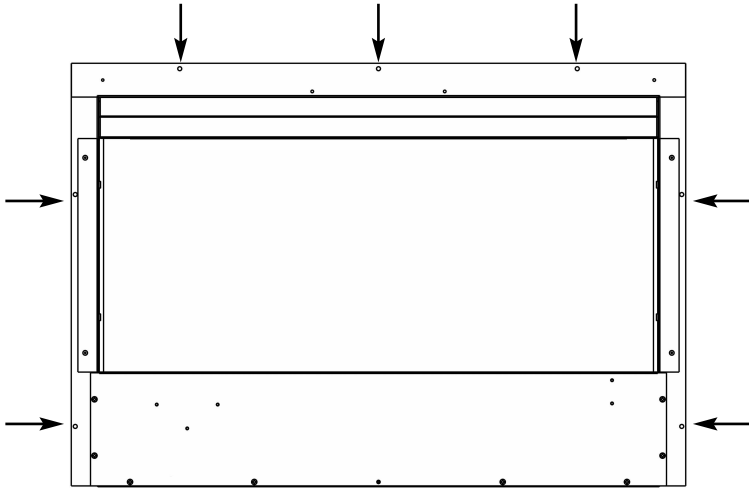
**Fig. 20**



- 2.3.15 Secure the firebox to the opening via the fixing holes on the firebox flange as shown overpage in figure 21.

2.3.16 The firebox should be secured to the opening using a minimum of 4 off fixings (not supplied) that are suitable for the wall type the fire is being installed into. Below (figure 21) is a diagram to indicate the hole centre positions available on the firebox to facilitate the fixing to the opening.

**Fig. 21**



## **2.4 GAS TIGHTNESS AND INLET PRESSURE**

**THIS APPLIANCE IS INTENDED FOR USE ON A GAS SUPPLY WITH A GOVERNED METER.**

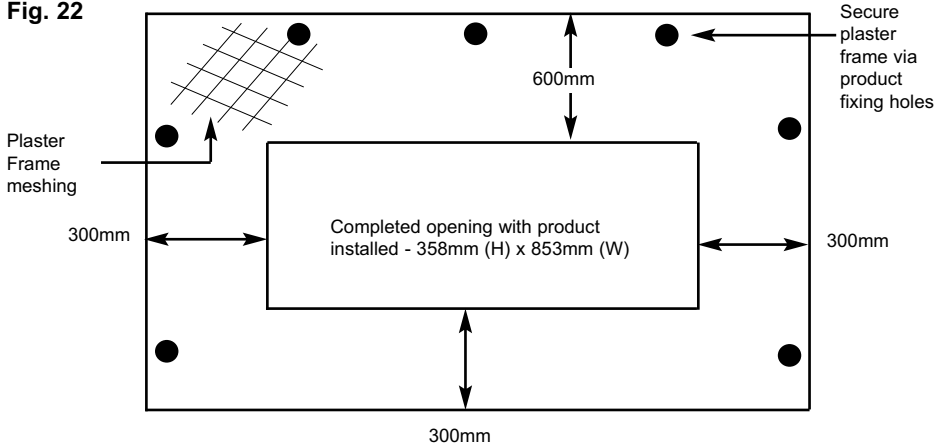
- 2.4.1 Remove the pressure test point screw from the inlet elbow and fit a manometer.
- 2.4.2 Turn on the main gas supply and carry out a gas tightness test.
- 2.4.3 See section 3.3 for full details of the operating method for the fire. The fire will then commence its ignition sequence and will light to high.
- 2.4.4 Check that the gas pressure is **20.0 mbar (+/- 1.0mbar) 8.0 in w.g.(+/- 0.4 in w.g.) for natural gas (G20) models**
- 2.4.5 Turn off the fire, remove the manometer and refit the pressure test point screw. Check the pressure test point screw for gas tightness with the appliance turned on using a suitable leak detection fluid or detector.

**PLEASE NOTE - THE WORKING PRESSURE TEST ON THIS PRODUCT NEEDS TO BE COMPLETED BEFORE THE FUEL-BED IS FITTED.**

## 2.5 FINISHING OF THE PRODUCT APERTURE / FITTING THE PLASTERING FRAME

- 2.5.1 The area below around the appliance will require a high temperature plaster finish around the appliance due to the high heat output level of the product, see figure 22. A plastering frame is available as an optional extra to assist in obtaining this finished surface, please order part number 1178-182370. To prevent plaster cracking and discolouration, finish the 600mm area above and the 300mm area at the side and below with a high temperature plaster finish as follows :-

Fig. 22



- 2.5.2 The high temperature plaster should be applied over a heat proof screed to the manufacturers instructions (see below for manufacturers contact details) and left to dry for a minimum of 3 days.
- 2.5.3 Supplier's contact details for heat proof screed & plaster are as follows :-

Vitcas Ltd.  
8 Bonville Road  
Brislington  
Bristol  
BS4 5NZ  
Tel : 0117 911 7895  
www.vitcas.com  
info@vitcas.com

or The Greener Company  
The Old Canteen  
Rosemount Works  
Huddersfield Road  
Elland  
HX5 0EE  
Tel : 01925 750290  
www.thegreenercompany.com

## 2.6 INSTALLING THE “AVIGNON” SURROUND

2.6.1 Unpack the surround from the wooden crate, check all parts are present as per figure 23 overpage and carefully store the components.

2.6.2 The underside of the hearth should be painted with a weak PVA (8 parts water to 1 part PVA). This will prevent staining penetrating through the stone. The hearth must be centered to the opening. If the fireplace is to be installed on a chimney breast ensure that the opening is also centered to the chimney breast. It is essential that the hearth is completely level. The hearth must be bedded down on bonding or an equivalent material. Avoid cement based products and ensure the hearth is firmly fitted and well supported. Allow the bedding material to set before any weight is placed onto the hearth. Wipe off any surplus bonding material with a wet sponge.

2.6.3 Fit bottom section to hearth, ensure it is central before fixing with a suitable mastic adhesive.

2.6.4 Fit brackets to top of legs, offer leg up to wall and mark position of fixing hole on wall, use shelf to ensure legs are correctly spaced / positioned. Remove shelf then cover hearth with dust sheet and drill the fixing holes. Remove the brackets from the legs, fix the side infills into place with suitable adhesive and secure the leg fixing brackets only to the wall. Fit legs to brackets that have been securely attached to the wall with fixings as detailed in 2.6.5

**2.6.5 Assess the chimney breast onto which the fire is to be installed and ensure that it is of sound construction and suitable for supporting the weight of the surround. Fixings used to secure the leg brackets to the masonry of the chimney breast shall be of expansive stainless steel or galvanised steel type masonry fixings for dense concrete blockwork or brickwork. Where fixings are located into light weight blockwork or friable aggregate blocks, the fixings shall be of the resin anchor type.**

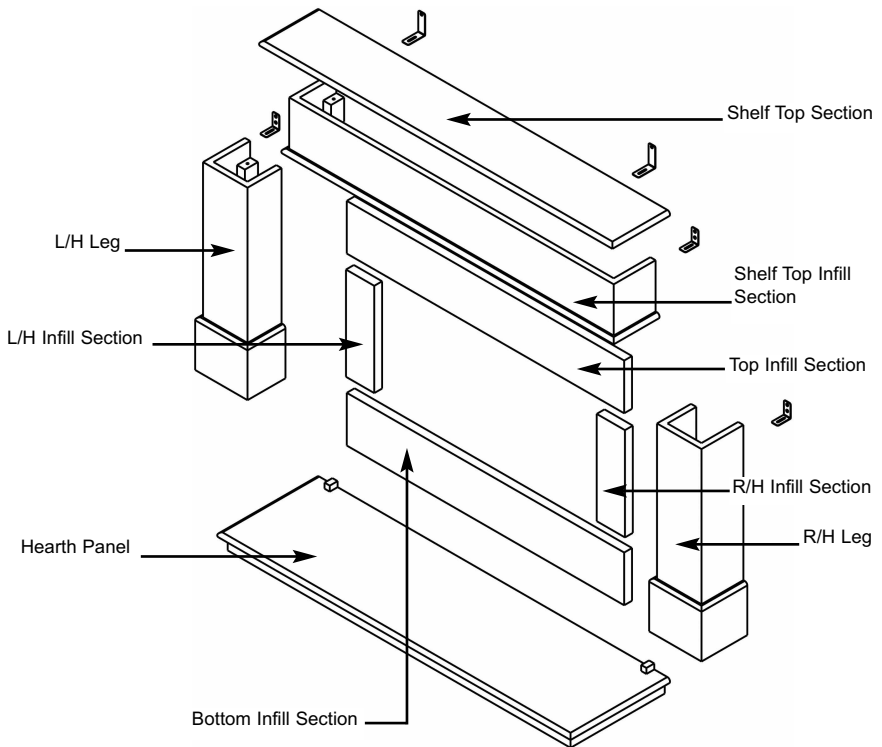
2.6.6 Fix the shelf top infill section and shelf infill into place again utilising the same procedure as for the legs, i.e. mark positions, drill holes to suit, remove brackets and secure brackets to wall with suitable fixings as detailed in 2.6.5

2.6.7 Fit shelf top section into place ensuring it is correctly centered, mark the position of holes for securing brackets on wall, remove shelf and drill wall and insert fixings in accordance with 2.6.5, these brackets can be recessed if required.

2.6.8 Once the fireplace is correctly installed, grout all of the joints including between the fireplace and the wall with a water based cream mastic or tile grout. Ensure all surplus grout is immediately removed by washing the stonework using a sponge and clean water.

**Fig. 23 - "Avignon" Surround**

Contents of Avignon surround :-



- 1 off hearth panel
- 1 off R/H leg
- 1 off L/H leg
- 1 off R/H infill section
- 1 off L/H infill section
- 1 off bottom infill section
- 1 off shelf top infill section
- 1 off shelf top section
- 1 off top infill section

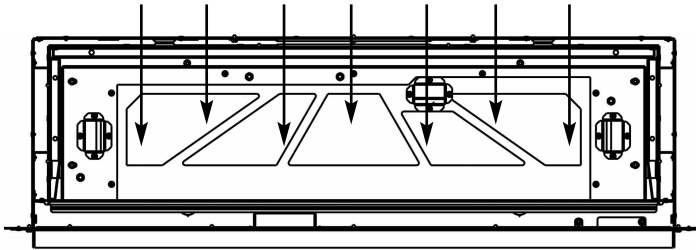
**NOTE : It is recommended that a spillage test is completed before fixing / sealing the fire surround in place.**

## SECTION 3 INSTALLATION OF FIRE

### 3.1 FITTING THE FUEL-BED LOGSET

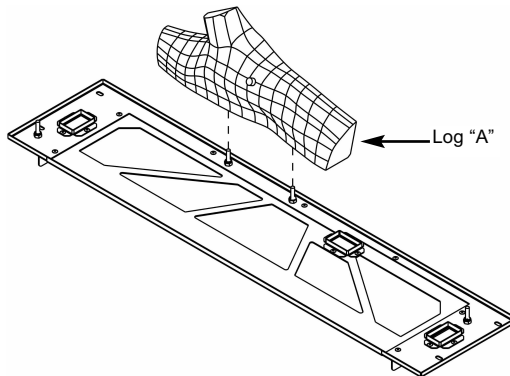
- 3.1.1 Lay a thin even layer of vermiculite over the fuelbed support tray as shown below in figure 24. Use either of the 2 supplied colours or a combination of both to give the desired effect. Save the remainder of vermiculite for future use. **IT IS NOT NECESSARY TO USE ALL THE VERMICULITE SUPPLIED, ONLY A SINGLE THIN LAYER IS REQUIRED.**

**Fig. 24** Single even layer of vermiculite to be placed all over fuel-bed support tray



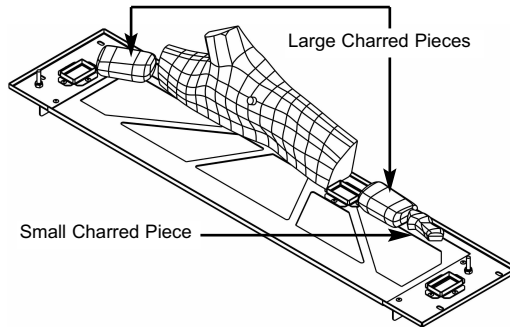
- 3.1.2 Place Log "A" onto the 2 location pegs at the rear of the fuelbed as shown below in figure 25.

**Fig. 25**



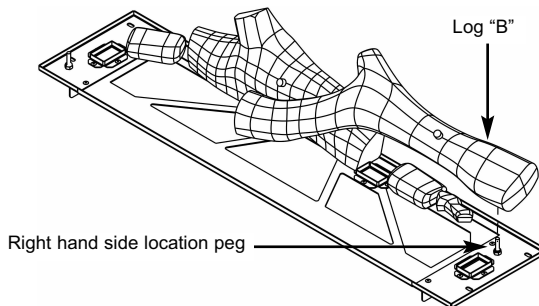
- 3.1.3 Add the 2 large and 1 small charred log pieces along the rear of the fuelbed as shown below in figure 26.

**Fig. 26**



- 3.1.4 Add the 'Embaglow' material on the top of the vermiculite. To do this separate into short strands and place randomly over the across the length of the fuelbed.
- 3.1.5 Place Log "B" onto the right hand side location peg and allow to rest on log A as shown below in figure 27.

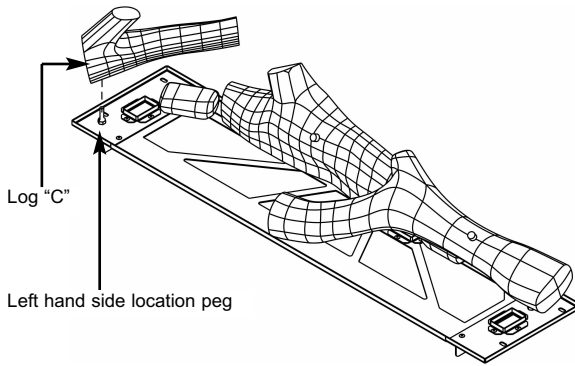
**Fig. 27**





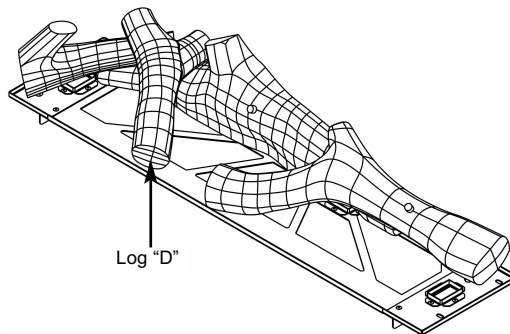
- 3.1.6 Place Log "C" on the LH side location peg and allow to rest on Log "A" as shown below in figure 28.

**Fig. 28**



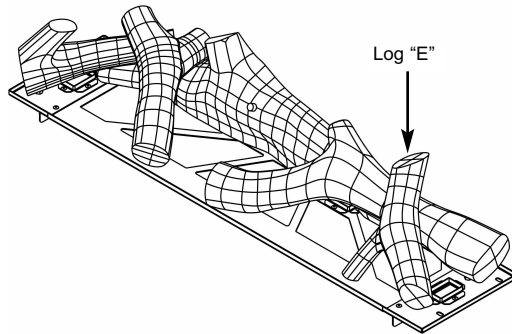
- 3.1.7 Place Log "D" at the left hand side of the burner, resting on Log "A" and Log "C" as shown below in figure 29.

**Fig. 29**



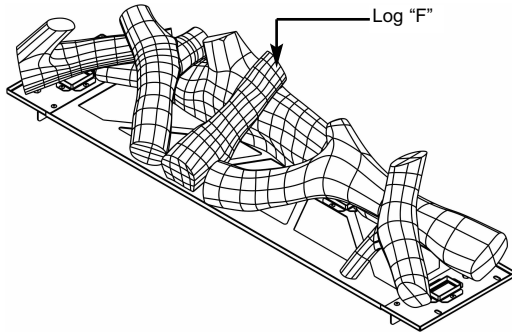
3.1.8 Place Log “E” onto Log “B” by locating onto the location lug on log “B” as shown below in figure 30.

**Fig. 30**



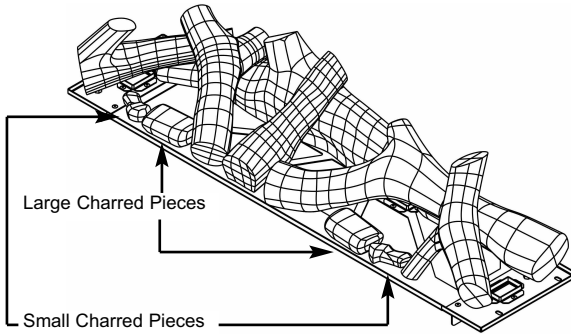
3.1.9 Place Log “F” in the middle of the fuelbed by locating onto the location lug on Log “A” as shown below in figure 31.

**Fig. 31**



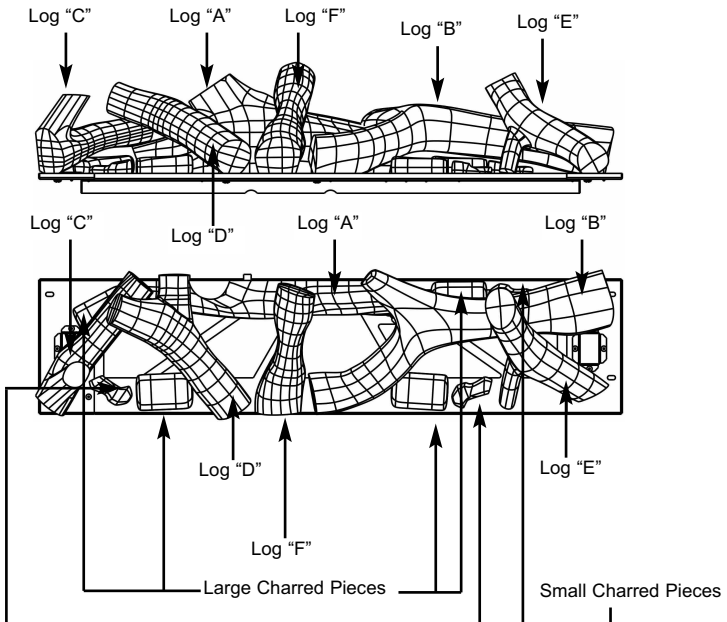
3.1.9 Add the remaining 2 large and 2 small charred log pieces along the front of the fuelbed as shown below in figure 32.

**Fig. 32**



3.1.10 Complete a final check to ensure all logs are positioned and located correctly as shown below in figure 33.

**Fig. 33**



- 3.1.11 Refit the glass panel in reverse order to that as described in section 2.3.3 to 2.3.4, then light the appliance as described as in section 3.3

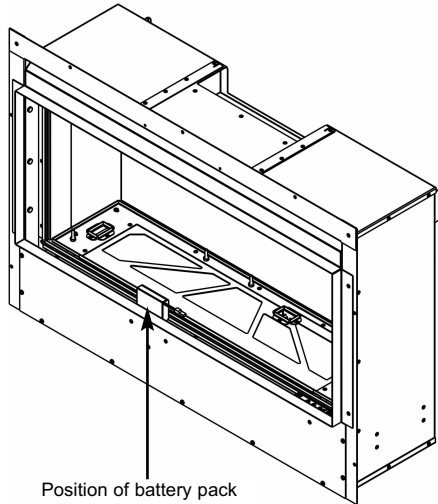
**Warning : Use only the logs supplied with the fire. When replacing the logs remove the old logs and discard them. Fit a complete set of logs of the correct type. Do not fit additional logs or any logs other than a genuine replacement set.**

**This appliance does not contain any component manufactured from asbestos or asbestos related products.**

## 3.2 FITTING THE BATTERIES

3.2.1 The battery pack is located under the front grill as shown below in figure 34.

**Fig. 34**



3.2.2 Lift battery pack from its retaining bracket, remove the cover (held in position by screw) and then fit 3 x AA batteries. Replace cover and then re-position battery pack within the retaining bracket.

3.2.3 Remove the battery cover from the back of the remote control handset and fit 2 x AA Alkaline batteries. Refit the rear battery cover.

### 3.3 OPERATION OF THE FIRE - REMOTE CONTROL MODELS

**IMPORTANT : IF THE BURNER IS EXTINGUISHED FOR ANY REASON YOU MUST ENSURE THAT YOU WAIT A FULL FIVE MINUTES BEFORE ATTEMPTING TO RE-LIGHT THE FIRE.**

The product is controlled by the remote handset supplied with the fire.

#### 3.3.1 SETTING THE TIME, DATE & TEMPERATURE ON THE REMOTE HANDSET

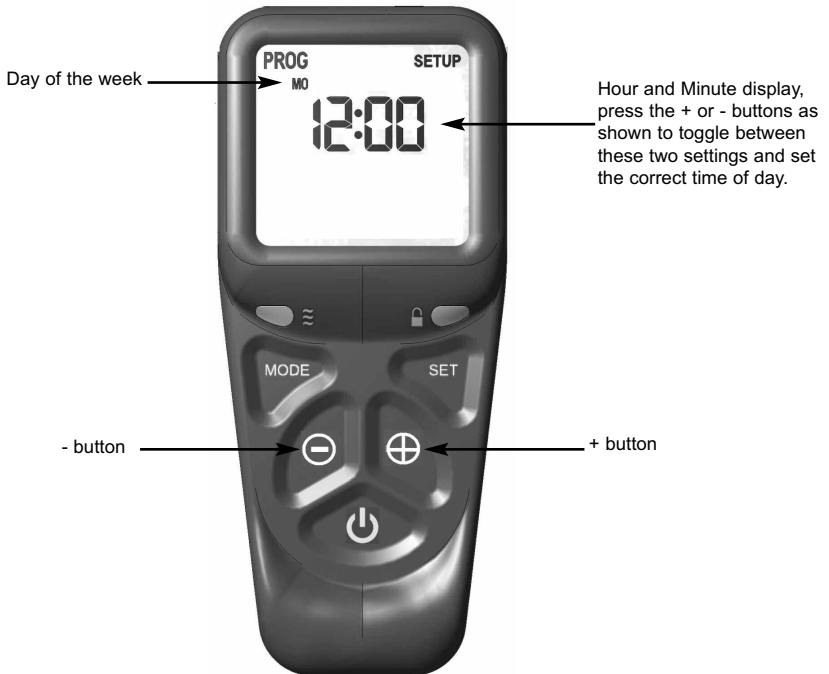
- 3.3.1.1 Fit the 2 off AA batteries to the handset by removing the cover on the rear of the handset and inserting the batteries, ensure the correct +/- polarity is observed. Following insertion of the batteries the screen displayed will be as shown below in figure 35.

**Fig. 35**



- 3.3.1.2 Hold the handset with one hand ensuring your hand is wrapped around the back and that your hand is in contact with both sides of the handset. The green light of the “unlock” symbol should light and the screen displayed will be as shown overpage in figure 36.
- 3.3.1.3 The “H” symbol as indicated in figure 36 overpage indicates that the timer can now be set in either 24hr or 12hr mode. Press the + or - buttons on the handset to toggle between the two settings, figure 36 overpage displays the 24hr mode.

**Fig. 36**



3.3.1.7 As shown above in figure 36 the time on the handset can now be set by using the + and - buttons to change the hour to the correct hour then press SET to store and to move to setting the minute. Repeat this process for setting the minute to the correct minute then press SET to store.

3.3.1.8 The handset will then display the temperature setting screen as shown overpage in figure 37, the option to choose either Celsius or Fahrenheit can be chosen, these settings are shown as either C or F. Use the + and - buttons to toggle between these two options then press SET to store. The important settings have now been completed so press and hold the SET button for a few seconds and this will exit the set-up menu.

**Fig. 37**



3.3.1.9 The control is now ready for use with the burner.

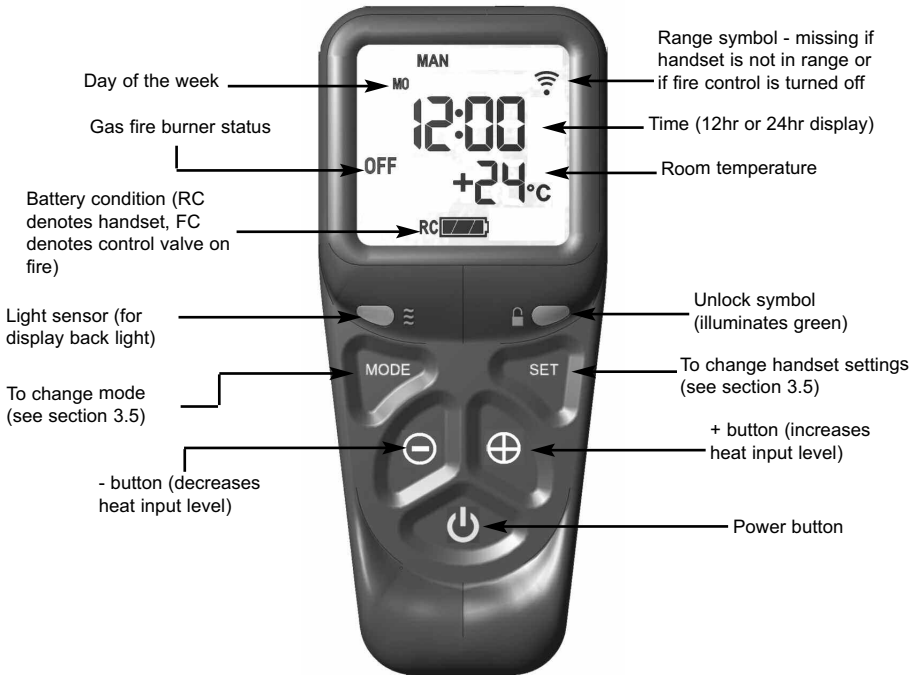
3.3.1.10 If the handset is misplaced you can “page it” by pressing the (+) button only on the control valve on the fire for a period of 5 seconds. The handset will flash and make an audible noise to help you locate it. Once you find the handset with one hand ensure your hand is wrapped around the back and that your hand is in contact with both sides of the handset then the audible noise will cease. The flashing and sound will last for 60 seconds each time the handset is paged as described. If not found in 60 seconds page the handset again until located.



### 3.4 LIGHTING THE FIRE - REMOTE CONTROL MODELS

3.4.1 Hold the handset with one hand ensuring your hand is wrapped around the back and that your hand is in contact with both sides of the handset. The green light of the “unlock” symbol should light. See figure 38 below.

Fig. 38



3.4.2 Press and hold the power button continuously until the word “PILOT” appears at the bottom left of the display as shown overpage in figure 39, (this typically takes two seconds). The burner will now light at maximum heat input level and will display “MAX” in the bottom left hand side of the display as shown in figure 40 overpage.

NOTE : If the power button is pressed for too long or too short a time or the grip on the handset is not firm or is released too soon, the lighting sequence will be interrupted and not complete. The reason for the remote control having this strict start sequence is for safety reasons so that the starting operation of the fire will be most unlikely to be done other than intentionally by an adult.

**Fig. 39 - "PILOT" displayed**



"PILOT" displayed on handset during ignition sequence (typically takes two seconds)

**Fig. 40 - "MAX" & large flame symbol displayed**

"MAX FLAME" displayed on handset when burner is lit to maximum rate



### 3.4 LIGHTING THE APPLIANCE - REMOTE CONTROL MODELS (CONTINUED)

- 3.4.3 To decrease the heat input level of the burner hold the handset as described in section 3.4.1 to unlock the keypad then press and release the - button. Pressing and releasing the - button will lower the heat input level one step at a time. Pressing the - button continuously will move the heat input level to the minimum, see figure 41 below.

**Fig. 41**



- 3.4.4 To increase the heat input level of the fire's burner hold the handset as described in section 3.4.1 to unlock the keypad then press and release the + button. Pressing and releasing the + button will increase the heat input level one step at a time. Pressing the + button continuously will move the heat input level to the maximum.
- 3.4.5 To turn the fire off hold the handset as described in section 3.4.1 to unlock the keypad then press and release the power button. The burner will go out.

### 3.4.6

**If you are not intending to use the fire for a long period (i.e. over the summer months) the battery life can be extended by disconnecting the battery pack.**

### 3.4.7

**In the event of loss of the remote handset, as a backup the fire can be turned off by manually via the on/off switch on the valve, see section 5.3.1**

### 3.4.8

If the handset is misplaced you can “page it” by pressing the (+) button only on the control valve on the fire for a period of 5 seconds. The handset will flash and make an audible noise to help you locate it. Once you find the handset with one hand ensure your hand is wrapped around the back and that your hand is in contact with both sides of the handset then the audible noise will cease. The flashing and sound will last for 60 seconds each time the handset is paged as described. If not found in 60 seconds page the handset again until located.

## 3.5

### **ADVANCED SETTINGS MENU OF THE REMOTE CONTROL**

### 3.5.1

#### **Snooze mode in manual operation**

#### 3.5.1.1

Snooze mode is a time period which can be set which will turn the fire automatically off after a certain time period has elapsed.

#### 3.5.1.2

Hold the handset with one hand ensuring your hand is wrapped around the back and that your hand is in contact with both sides of the handset. The green light of the “unlock” symbol should light. The snooze time period can be set either before or during manual operation of the fire.

#### 3.5.1.3

With the handset held as described above, press the mode button to scroll through the functions until the symbols MAN and Zzz are flashing at the top of the display as shown overpage in figure 42.

#### 3.5.1.4

Press and release the set button and this will put the control into the manual snooze mode.

#### 3.5.1.5

The default time period in snooze mode is 1:00 hour.

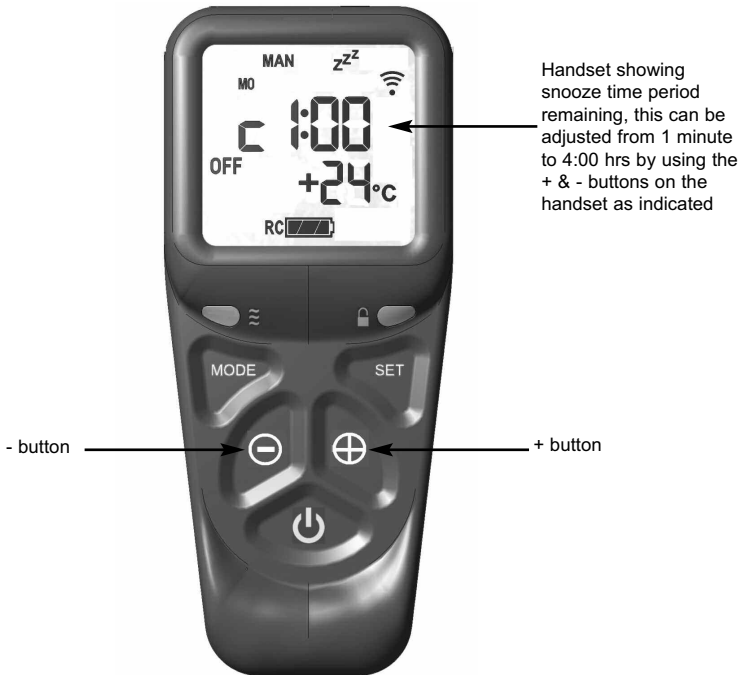
**Fig. 42**



3.5.1.6 Pressing the set button again will now show you the snooze time period remaining. The snooze time period can be adjusted by pressing the + or - buttons on the handset. This time period can be set ranging from 1 minute to 4:00 hours.

3.5.1.7 To adjust the snooze period, hold the handset with one hand ensuring your hand is wrapped around the back and that your hand is in contact with both sides of the handset. The green light of the “unlock” symbol should light. Press the set button and the screen will show how long is left of the snooze period as shown overpage in figure 43.

**Fig. 43**



- 3.5.1.8 To adjust the snooze period use the + and - buttons to increase or decrease the snooze period for any period between 1 minute and 4:00 hours.
- 3.5.1.9 When the correct snooze period is indicated on the handset, press the set button to store the required time period, or alternatively the handset can be left for a few seconds and the period will be stored automatically.
- 3.5.1.10 When the countdown timer for the snooze period has reached zero the fire will turn off (as if you had turned the fire off manually).

### 3.5.2 Thermostatic mode

**PLEASE NOTE : Thermostatic mode of this fire will only allow regulation of the room temperature by the fire when it has been already lit via manual operation of the handset. It will not allow the fire to light automatically due to low ambient room temperature and should therefore not be relied upon for frost protection purposes.**

3.5.2.1 Hold the handset with one hand ensuring your hand is wrapped around the back and that your hand is in contact with both sides of the handset. The green light of the “unlock” symbol should light.

3.5.2.2 With the handset held as described above, press and release the mode button several times as necessary until the display has the thermometer symbol flashing at the top of the display. Press the set button to enter this mode, as shown below in figure 44.

Fig. 44



3.5.2.3 Press the set button again to see the temperature setting that is set (the default is 24 degrees celsius). If a different set temperature is required, whilst the display is showing this set temperature, press the + and - buttons to alter this setting, press the set button to store the required temperature, or alternatively the handset can be left for a few seconds and the temperature will be stored automatically.

3.5.2.4 If at any time the power button is operated during thermostat mode the control will cancel any thermostat operation and return the control to manual mode.

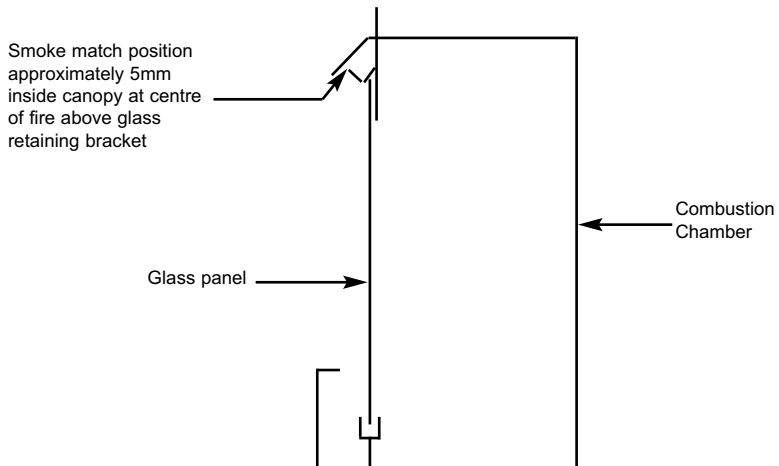
3.5.2.5 **IMPORTANT NOTE : Thermostat mode will not light the fire automatically and will only regulate between the maximum and minimum burner setting. The fire must be lit manually via the handset and then you enter thermostat mode as described in this section and set the temperature. When no longer requiring thermostat mode turn off the burner and the handset will return to manual mode.**



### 3.6 CHECKING FOR CLEARANCE OF COMBUSTION PRODUCTS

- 3.6.1 Close all doors and windows in the room.
- 3.6.2 Light the fire and allow to run for approximately 5 minutes on high position.
- 3.6.3 After approximately 5 minutes hold a smoke match just inside and below the centre of the lower front canopy at the top of the fire (see figure 45 below). It is recommended that a suitable smoke match holder is used when checking for clearance of combustion products). All smoke generated should be drawn back into the flue. If slight spillage occurs or if in doubt, repeat the test after a further 5-10 minutes. **If the test indicates that spillage is occurring and the flue restrictor baffle has been fitted, it should be removed (see section 3.7) and the test repeated after the fire has cooled.**
- 3.6.4 If spillage persists, the flue is not functioning correctly and a fault exists. If, after investigation the fault cannot be traced and rectified, the fire must be disconnected from the gas supply and expert advice obtained.
- 3.6.5 If there is an extractor fan fitted any where in the vicinity of the appliance, or in adjacent rooms the spillage test should be repeated with the fan running on maximum and all interconnecting doors open. After ensuring that the fire is safe to use it should be left on high

**Fig. 45**



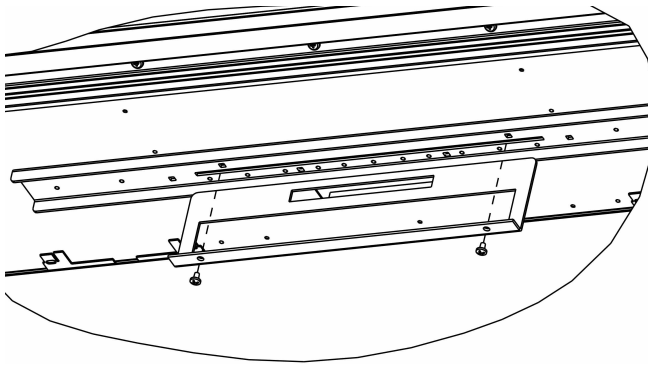
### 3.7 REMOVAL / RE-FITTING OF THE EFFICIENCY BAFFLE

3.7.1 Remove the glass panel as shown in section 2.3.1 to 2.3.4

3.7.2 The efficiency baffle is provided in the loose items pack and fitted to the inner roof of the combustion chamber, secured by 2 off screws.

3.7.3 Remove / replace the screws as necessary and fit or remove the efficiency baffle onto the appliance as shown below in figure 46.

**Fig. 46**



3.7.4 Replace glass panel in reverse order.

## SECTION 4 MAINTENANCE

### Servicing Notes

Servicing should be carried out annually by a competent person such as a GAS SAFE registered engineer. **This is a condition of the guarantee schemes.** The service should include visually checking the chimney and fire opening for accumulations of debris and a smoke test to check for a positive up-draught in the chimney. To access the debris collection void a removeable plate is positioned on the rear face of the firebox box behind the burner. The oxy-pilot on the burner unit must also be changed as a condition of the guarantee. The condition of the fuel-bed should be checked and **if necessary the whole item should be replaced with a genuine replacement item.** The burner assembly is designed to be removed as a complete unit for ease of access. **After any servicing work a gas tightness check must always be carried out.**

#### 4.1 Removing the burner assembly from the fire.

4.1.1 Prepare work area (lay down dust sheets etc.)

4.1.2 Remove the glass assembly, remove the vermiculite and logs.

4.1.3 Isolate the gas supply and remove the supply pipe from the appliance inlet elbow. Unscrew and remove the four off screws which retain the ceramic support plate to the base, then lift clear. Remove the four off screws which hold the burner in position & then loosen injector screw, then remove four screws from burner base plate then remove burner assembly from the fire.

4.1.4 To refit the burner assembly, locate the burner unit and refit the four off screws. Refit the ceramic support plate and four off screws. Refit the gas supply pipe and carry out a gas tightness test. Refit the fuel-bed referring to section 3 for the correct log positions. Re-fit the glass panel.

#### 4.2 Removing the gas control valve from the fire.

4.2.1 Remove the burner from the combustion chamber as described in section 4.1 above.

4.2.2 Remove the thermocouple wires from the valve, remove the main pipe, inlet pipe, pilot pipe from the valve. Take note of position of coloured terminals on thermocouple wires as valve will not function correctly if these are replaced the opposite way round.

4.2.3 Unclip the valve from its mounting bracket. Re-assemble in reverse order and carry out a gas tightness test.

### **4.3 Removing the Oxy-Pilot.**

**Note :** Because this appliance is fitted with an atmosphere sensing 'Oxy-Pilot' it is not possible to replace the thermocouple separately, because the thermocouple position is factory set to a tight tolerance. Any replacement of parts on the pilot requires a complete new pilot assembly.

- 4.3.1 Prepare work area (lay down dust sheets etc.)
- 4.3.2 Remove the glass panel as shown in section 2.2 and put it in a safe location, remove burner assembly as per section 4.1
- 4.3.3 Loosen the pilot nut and remove the two screws retaining the pilot assembly. Remove wires from the valve
- 4.3.4 Re-assemble in reverse order and carry out a gas tightness test.

### **4.4 Replacing the Batteries in the Handset**

- 4.4.1 Remove and re-fit the new 2 off AA batteries by removing the cover on the back of the handset.

### **4.5 Replacing the Batteries in the Fire**

- 4.5.1 The battery pack is located below the front grill at the centre of the fire.
- 4.5.2 Lift battery pack from its retaining bracket, remove rear cover (held in position by screw) and then fit 3 off AA batteries. Replace cover and then re-position battery pack within retaining bracket.

### **4.6 Checking for Flue Debris**

- 4.6.1 Remove the burner assembly as detailed in section 4.1
- 4.6.2 Locate the removeable backplate on the rear face of the firebox at the bottom.
- 4.6.3 Remove the 2 screws that hold the removeable backplate on the rear face of the firebox.
- 4.6.4 Remove any debris.
- 4.6.5 Replace the removeable backplate on the rear face of the firebox.
- 4.6.6 Re-assemble in reverse order and carry out a gas tightness test.

## 4.7 Parts Shortlist

Gas Control valve	1201-1033432
Remote Handset	B-168920
Pilot Assy	B-180090
Battery pack	B-168920
Switch Panel	B-170510
Switch Panel cable	B-170520
Glass Panel	B-1004772
Complete Log Set	B-1031224
Log A only	B-1031224A
Log B only	B-1031224B
Log C only	B-1031224C
Log D only	B-1031224D
Log E only	B-1031224E
Log F only	B-1031224F
Log piece Large	B-1000661
Log Piece Small	B-1000662
Embaglow	B-120070
Vermiculite	CV-107116
Black Vermiculite	B-1028774
Flue Liner Plate Assy	1178-183230

## SECTION FIVE - USER INSTRUCTIONS

### 5.1 INSTALLATION INFORMATION

#### CONDITIONS OF INSTALLATION

It is the law that all gas appliances are installed only by a competent (e.g. Registered) Installer, in accordance with the installation instructions and the Gas Safety (Installation and Use) Regulations 1998. Failure to install appliances correctly could lead to prosecution. It is in your own interest and that of safety to comply with the law.

The fire may be fitted below a combustible shelf provided that the shelf is at least 200mm above the top of the appliance and the depth of the shelf does not exceed 150mm.

The fire may be installed below combustible shelves which exceed 150mm deep providing that the clearance above the fire is increased by 15mm for each 25mm of additional overhang in excess of 150mm.

**No purpose made additional ventilation is normally required for this appliance when installed in G.B. When installed I.E. please consult document I.S. 813 Domestic Gas Installation which is issued by the National Standards Authority of Ireland. Any purpose made ventilation should be checked periodically to ensure that it is free from obstruction.**

If the chimney or flue has been previously used by appliances burning fuels other than gas they must be swept prior to the installation of this fire.

If this appliance is fitted directly on to a wall without the use of a fireplace or surround, soft wall coverings such as wallpaper, blown vinyl etc. could be affected by the heat and hot convection air and may discolour or scorch. This should be considered when installing or decorating.

The Model number of this appliance is as stated on the rating plate affixed to the fire and the appliance is manufactured by:-

BFM Europe Ltd  
Trentham Lakes  
Stoke on Trent  
ST4 4TJ

## 5.2 ABOUT YOUR NEW EDEN ELITE MK2 GAS FIRE

The Collection by Michael Miller “Eden Elite MK2” log effect gas fire incorporates a unique and highly developed fuel bed which gives the realism of a loose log layout combined with realistic flames and glow. The use of durable ceramic material in the construction of the fuelbed components ensures long and trouble free operation.

Please take the time to fully read these instructions as you will then be able to obtain the most effective and safe operation of your fire.

### IMPORTANT SAFETY INFORMATION

#### WARNING

**This appliance is a heating appliance and as with all heating appliances a fireguard should be used for the protection of children, the elderly and infirm. Fireguards should conform to B.S. 8423 : 2002 (Fireguards for use with gas heating appliances).**

It is important that this appliance is serviced at least once a year by a GAS SAFE registered engineer. During the annual service, replacement of the pilot must be carried out. **This is a condition of the manufacturers guarantee.** Any debris or deposits should be removed from the fuel bed from time to time. This may be carried out by referring to the cleaning section as described later in this book. Only the correct number and type of logs must be used and only complete and genuine replacement sets must be used. Always keep furniture and combustible materials well clear of the fire and never dry clothing or items either on or near to the fire. Never use aerosols or flammable cleaning products near to the fire when it is in use.

**The ceramic fuel bed remains hot for a considerable period after use and sufficient time should be allowed for the fire to cool before cleaning etc.**

**IMPORTANT : DO NOT UNDER ANY CIRCUMSTANCES USE THIS FIRE IF THE GLASS PANEL IS BROKEN, CRACKED OR MISSING.**

**IMPORTANT : THIS APPLIANCE IS NOT INTENDED FOR USE BY PERSONS (INCLUDING CHILDREN) WITH REDUCED PHYSICAL, SENSORY OR MENTAL CAPABILITIES, OR LACK OF EXPERIENCE AND KNOWLEDGE, UNLESS THEY HAVE BEEN GIVEN SUPERVISION OR INSTRUCTION CONCERNING USE OF THE APPLIANCE BY A PERSON RESPONSIBLE FOR THEIR SAFETY. CHILDREN SHOULD BE SUPERVISED TO ENSURE THAT THEY DO NOT PLAY WITH THE APPLIANCE.**

## 5.3 LIGHTING THE APPLIANCE

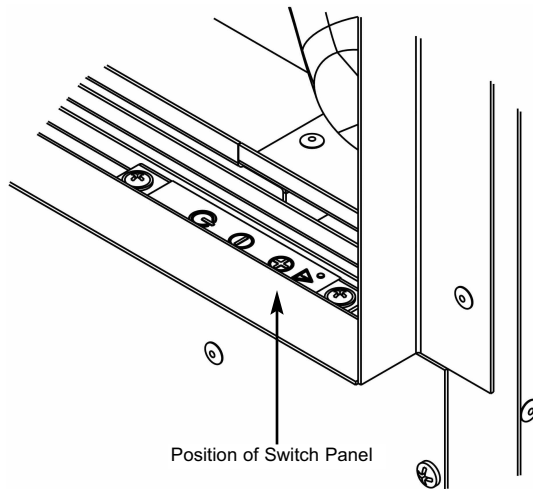
**IMPORTANT** : IF THE BURNER IS EXTINGUISHED FOR ANY REASON YOU MUST ENSURE THAT YOU WAIT A FULL FIVE MINUTES BEFORE ATTEMPTING TO RE-LIGHT THE FIRE.

The fire is controlled by the remote handset supplied with the fire or the switch panel at the right hand side of the grill. Ensure the batteries as supplied in the loose items pack have been fitted to the fire and the handset before attempting to light it.

### 5.3.1 Operation of the Fire via the Switch Pad

5.3.1.1 Locate the ON/OFF switch on the appliance, it is situated as shown below in figure 1 at the right hand side of the fire.

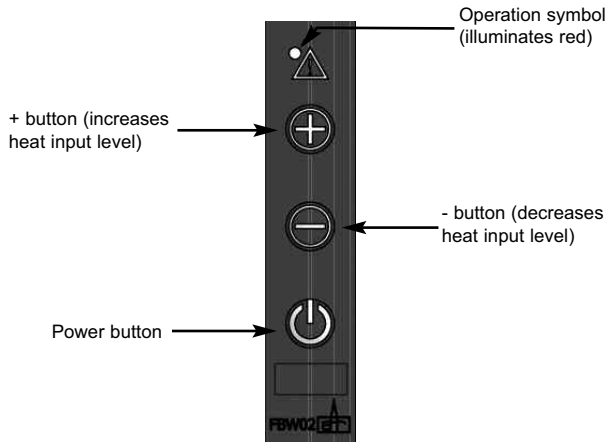
**Fig. 1**



5.3.1.2 To light the fire using the switch panel press and hold the power button (as shown overpage in figure 2) continuously until the red light illuminates next to the operation symbol (this typically takes two seconds). As the red light illuminates release immediately the power button. While the burner is lighting the red light will flash. When the burner has lit the red light will stop completely. The burner will now be lit at maximum heat input level.



**Fig. 2**

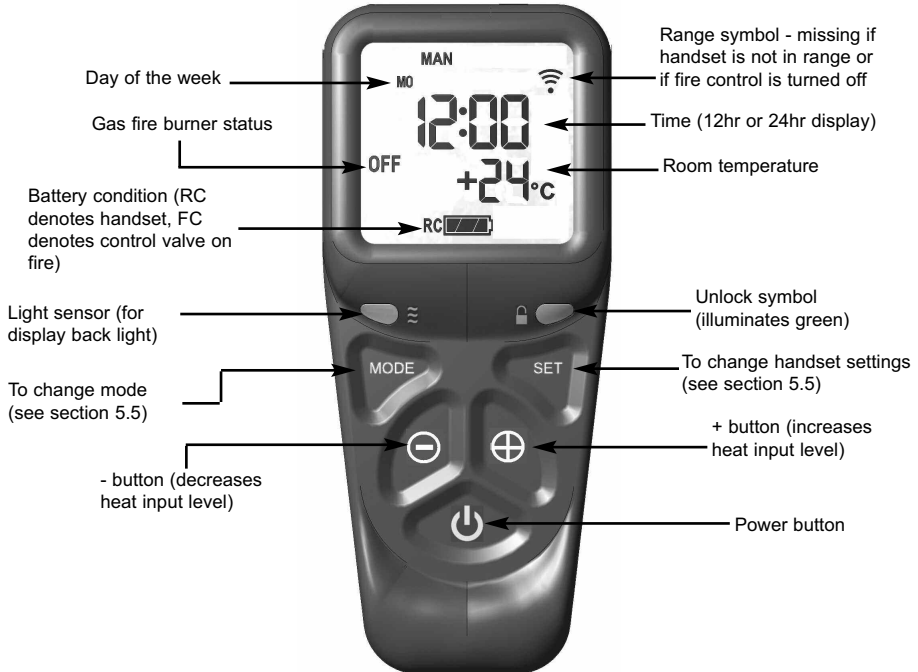


- 5.3.1.3 To decrease the heat input level of the fire's burner, pressing and releasing the - button will lower the heat input level one step at a time. Pressing the - button continuously will move the heat input level to the minimum.
- 5.3.1.4 To increase the heat input level of the fire's burner pressing and releasing the + button will increase the heat input level one step at a time. Pressing the + button continuously will move the heat input level to the maximum.
- 5.3.1.5 To turn the fire off press and release the power button, the burner will extinguish.

## 5.4 OPERATING THE FIRE AND USER CONTROLS

- 5.4.1 Ensure valve power isolation switch is in the “on” position on the valve  
Hold the handset with one hand ensuring your hand is wrapped around the back and that your hand is in contact with both sides of the handset.  
The green light of the “unlock” symbol should light. See figure 3 below.

Fig. 3



- 5.4.2 Press and hold the power button continuously until the word “PILOT” appears at the bottom left of the display as shown overpage in figure 4, (this typically takes two seconds). The burner will now light at maximum heat input level and will display “MAX” in the bottom left hand side of the display as shown in figure 5 overpage. **For most efficient performance leave the fire on high when lighting from cold for ten minutes.**

NOTE : If the power button is pressed for too long or too short a time or the grip on the handset is not firm or is released too soon, the lighting sequence will be interrupted and not complete. The reason for the remote control having this strict start sequence is for safety reasons so that the starting operation of the fire will be most unlikely to be done other than intentionally by an adult.

**Fig. 4 - "PILOT" displayed**



"PILOT" displayed on handset during ignition sequence (typically takes two seconds)

**Fig. 5 - "MAX" & large flame symbol displayed**

"MAX FLAME" displayed on handset when burner is lit to maximum rate



## 5.4 OPERATING THE FIRE AND USER CONTROLS (CONTINUED)

- 5.4.3 To decrease the heat input level of the burner hold the handset as described in section 5.4.1 to unlock the keypad then press and release the - button. Pressing and releasing the - button will lower the heat input level one step at a time. Pressing the - button continuously will move the heat input level to the minimum, see figure 6 below.

Fig. 6



- 5.4.4 To increase the heat input level of the fire's burner hold the handset as described in section 5.4.1 to unlock the keypad then press and release the + button. Pressing and releasing the + button will increase the heat input level one step at a time. Pressing the + button continuously will move the heat input level to the maximum.
- 5.4.5 To turn the fire off hold the handset as described in section 5.4.1 to unlock the keypad then press and release the power button. The burner will go out.

#### 5.4.6

**If you are not intending to use the fire for a long period (i.e. over the summer months) the battery life can be extended by removing the batteries.**

#### 5.4.7

**In the event of loss of the remote handset, as a backup the fire can be turned off by pressing the switch pad located at the right hand side of the fire.**

#### 5.4.8

If the handset is misplaced you can “page it” by pressing the (+) button only on the control valve on the fire for a period of 5 seconds. The handset will flash and make an audible noise to help you locate it. Once you find the handset with one hand ensure your hand is wrapped around the back and that your hand is in contact with both sides of the handset then the audible noise will cease. The flashing and sound will last for 60 seconds each time the handset is paged as described. If not found in 60 seconds page the handset again until located.

### 5.5 CHANGING THE BATTERIES

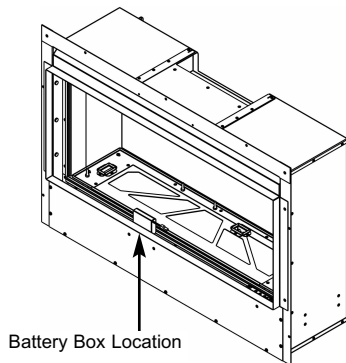
#### 5.5.1 Changing the batteries in the handset

5.5.1.1 Remove and re-fit the new 2 off AA batteries by removing the cover on the back of the handset.

#### 5.5.2 Changing the batteries in the fire

5.5.2.1 The battery pack is located as shown below in figure 7

**Fig. 7**



5.5.2.2 Lift battery pack from its retaining bracket, remove rear cover (held in position by screw) and then fit 3 off AA batteries. Replace cover and then re-position battery pack within retaining bracket.

## 5.6 SETTING THE TIME, DATE & TEMPERATURE ON THE REMOTE HANDSET

- 5.6.1 Fit the 2 off AA batteries to the handset by removing the cover on the rear of the handset and inserting the batteries, ensure the correct +/- polarity is observed. Following insertion of the batteries the screen displayed will be as shown below in figure 8.

Fig. 8



- 5.6.2 Hold the handset with one hand ensuring your hand is wrapped around the back and that your hand is in contact with both sides of the handset. The green light of the “unlock” symbol should light and the screen displayed will be as shown overpage in figure 9.
- 5.6.3 The “H” symbol as indicated in figure 9 overpage indicates that the timer can now be set in either 24hr or 12hr mode. Press the + or - buttons on the handset to toggle between the two settings, figure 9 overpage displays the 24hr mode.

**Fig. 9**



5.6.4 When the 24hr or 12hr time display option has been chosen and you are ready to confirm the setting you want press the SET button on the handset to progress to setting the day of the week as shown overpage in figure 10.

5.6.5 Press and release the + and - buttons on the handset until the correct day of the week is shown on the handset display

Mo = Monday  
Tu = Tuesday  
We = Wednesday  
Th = Thursday  
Fr = Friday  
Sa = Saturday  
Su = Sunday

5.6.6 Press SET to accept the day of the week and progress to setting the hour of the day.

**Fig. 10**



5.6.7 As shown above in figure 10 the time on the handset can now be set by using the + and - buttons to change the hour to the correct hour then press SET to store and to move to setting the minute. Repeat this process for setting the minute to the correct minute then press SET to store.

5.6.8 The handset will then display the temperature setting screen as shown overpage in figure 11, the option to choose either Celsius or Fahrenheit can be chosen, these settings are shown as either C or F. Use the + and - buttons to toggle between these two options then press SET to store. The important settings have now been completed so press and hold the SET button for a few seconds and this will exit the set-up menu.



**Fig. 11**



5.6.9 The control is now ready for use with the burner.

5.6.10 If the handset is misplaced you can “page it” by pressing the (+) button only on the control valve on the fire for a period of 5 seconds. The handset will flash and make an audible noise to help you locate it. Once you find the handset with one hand ensure your hand is wrapped around the back and that your hand is in contact with both sides of the handset then the audible noise will cease. The flashing and sound will last for 60 seconds each time the handset is paged as described. If not found in 60 seconds page the handset again until located.

## 5.7 ADVANCED SETTINGS MENU OF THE REMOTE CONTROL

### 5.7.1 Snooze mode in manual operation

- 5.7.1.1 Snooze mode is a time period which can be set which will turn the fire automatically off after a certain time period has elapsed.
- 5.7.1.2 Hold the handset with one hand ensuring your hand is wrapped around the back and that your hand is in contact with both sides of the handset. The green light of the “unlock” symbol should light. The snooze time period can be set either before or during manual operation of the fire.
- 5.7.1.3 With the handset held as described above, press the mode button to scroll through the functions until the symbols MAN and Zzz are flashing at the top of the display as shown below in figure 12.
- 5.7.1.4 Press and release the set button and this will put the control into the manual snooze mode.
- 5.7.1.5 The default time period in snooze mode is 1:00 hour.

**Fig. 12**



5.7.1.6 Pressing the set button again will now show you the snooze time period remaining. The snooze time period can be adjusted by pressing the + or - buttons on the handset. This time period can be set ranging from 1 minute to 4:00 hours.

5.7.1.7 To adjust the snooze period, hold the handset with one hand ensuring your hand is wrapped around the back and that your hand is in contact with both sides of the handset. The green light of the “unlock” symbol should light. Press the set button and the screen will show how long is left of the snooze period as shown below in figure 13.

**Fig. 13**



5.7.1.8 To adjust the snooze period use the + and - buttons to increase or decrease the snooze period for any period between 1 minute and 4:00 hours.

5.7.1.9 When the correct snooze period is indicated on the handset, press the set button to store the required time period, or alternatively the handset can be left for a few seconds and the period will be stored automatically.

5.7.1.10 When the countdown timer for the snooze period has reached zero the fire will turn off (as if you had turned the fire off manually).

## 5.7.2 Thermostatic mode

**PLEASE NOTE : Thermostatic mode of this fire will only allow regulation of the room temperature by the fire when it has been already lit via manual operation of the handset. It will not allow the fire to light automatically due to low ambient room temperature and should therefore not be relied upon for frost protection purposes.**

5.7.2.1 Hold the handset with one hand ensuring your hand is wrapped around the back and that your hand is in contact with both sides of the handset. The green light of the “unlock” symbol should light.

5.7.2.2 With the handset held as described above, press and release the mode button several times as necessary until the display has the thermometer symbol flashing at the top of the display. Press the set button to enter this mode, as shown below in figure 14.

Fig. 14



5.7.2.3 Press the set button again to see the temperature setting that is set (the default is 24 degrees celsius). If a different set temperature is required, whilst the display is showing this set temperature, press the + and - buttons to alter this setting, press the set button to store the required temperature, or alternatively the handset can be left for a few seconds and the temperature will be stored automatically.

5.7.2.4 If at any time the power button is operated during thermostat mode the control will cancel any thermostat operation and return the control to manual mode.

5.7.2.5 **IMPORTANT NOTE : Thermostat mode will not light the fire automatically and will only regulate between the maximum and minimum burner setting. The fire must be lit manually via the handset and then you enter thermostat mode as described in this section and set the temperature. When no longer requiring thermostat mode turn off the burner and the handset will return to manual mode.**

## 5.8 CLEANING INSTRUCTIONS

Before attempting any cleaning operation ensure that the fire has been allowed to fully cool.

### 5.8.1 Cleaning the metal painted parts / optional trim

These metal painted parts should only be cleaned using a clean, damp cloth. **Abrasive cleaners, chemical cleaning agents or any type of polish must never be used as damage to the finish may result.**

### 5.8.2 Cleaning the fuel-bed

We do not recommend cleaning of logs or fuelbed components as these are fragile and damage may result. **None of these parts must be washed or exposed to any cleaning agents or water.** Any damaged parts must be replaced by contacting your dealer or telephoning BFM Europe on the number stated on the rear cover of this book. Logs must only be replaced with a complete and genuine replacement set and the fire must never be run with the wrong number or damaged logs. The fuelbed must be carefully re-assembled as stated in the following section.

### 5.8.3 Cleaning the glass panel

Before attempting any cleaning operation ensure that the fire has been allowed to fully cool. Black painted metal parts should be gently cleaned with a damp cloth. This product is equipped with non-reflective glass which must be cleaned as follows or irreparable damage to the coating on the glass panel will occur. The manufacturers warranty will not cover damage by incorrect cleaning methods.

DO NOT USE ceramic glass cleaning agents.

DO NOT USE sharp objects or blades to remove marks.

DO NOT USE dry cloths or wipes.

DO USE normal glass cleaner such as "Sidolin".

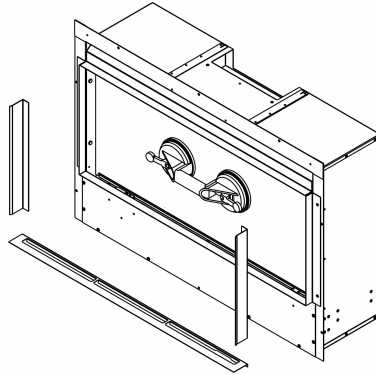
DO USE soft glass wipes.

DO USE damp cloths.

## 5.9 REMOVING AND REPLACING THE GLASS PANEL

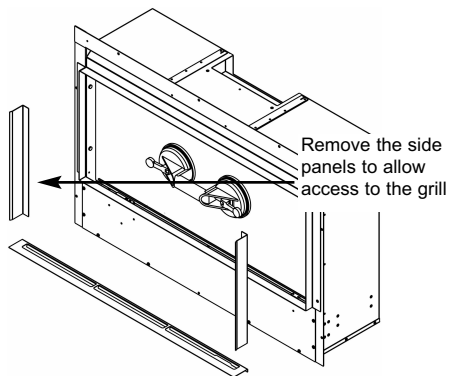
- 5.9.1 To remove the glass panel, the glass clamp as supplied in the loose items pack will be required. Secure the clamp to the glass panel as shown below in figure 15.

Fig. 15



- 5.9.2 Remove the front grill by firstly removing the side trims by simply lifting clear (they are retained by magnets) this will allow the front grill to be lifted away. See figure 16 below.

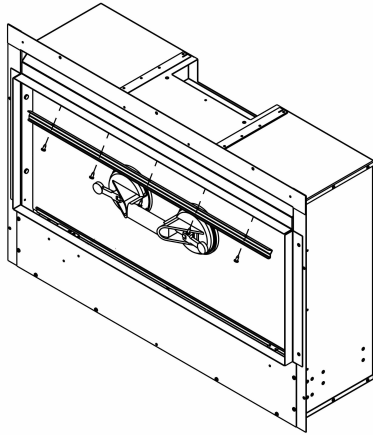
Fig. 16



**NOTE :** Always ensure that a consistent seal between the combustion chamber and the glass panel is achieved when replacing the glass panel.

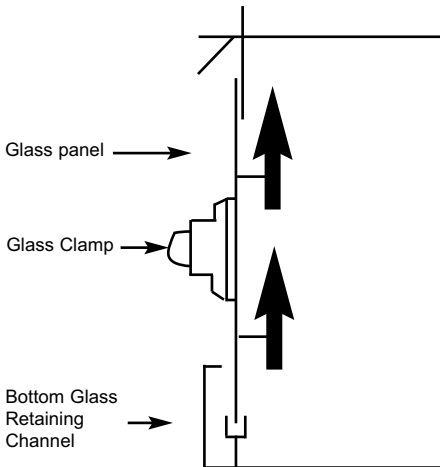
- 5.9.3 Remove the 5 off securing screws and glass panel retaining bracket that are located on the top underside face of the combustion chamber behind the canopy. See figure 17 below.

**Fig. 17**

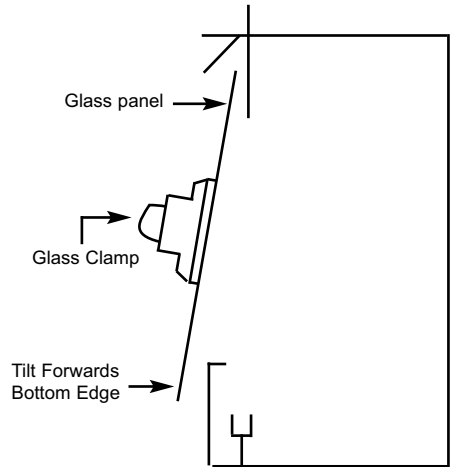


- 5.9.4 Lift the glass panel vertically to release from the bottom retaining channel and then tilt forwards as shown below in figure 18 / 19 to release.

**Fig. 18**



**Fig. 19**

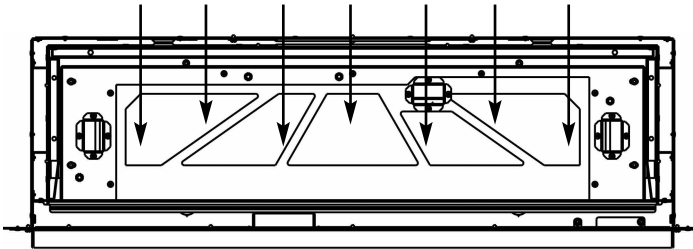


## 5.10 REMOVAL AND REPLACING THE FUEL-BED LOGSET

Remove the glass panel as shown on pages 61-62 before attempting to remove or replace the logs.

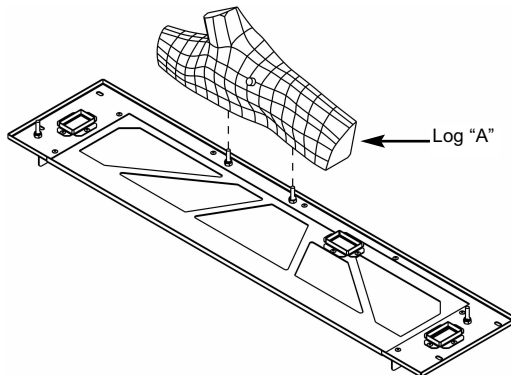
- 5.10.1 Lay a thin even layer of vermiculite over the fuelbed support tray as shown below in figure 20. Use either of the 2 supplied colours or a combination of both to give the desired effect. Save the remainder of vermiculite for future use. **IT IS NOT NECESSARY TO USE ALL THE VERMICULITE SUPPLIED, ONLY A SINGLE THIN LAYER IS REQUIRED.**

**Fig. 20** Single even layer of vermiculite to be placed all over fuel-bed support tray



- 5.10.2 Place Log "A" onto the 2 location pegs at the rear of the fuelbed as shown below in figure 21.

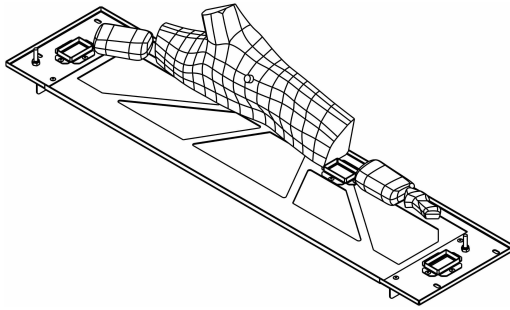
**Fig. 21**





- 5.10.3 Add the 2 large and 1 small charred log pieces along the rear of the fuelbed as shown below in figure 22.

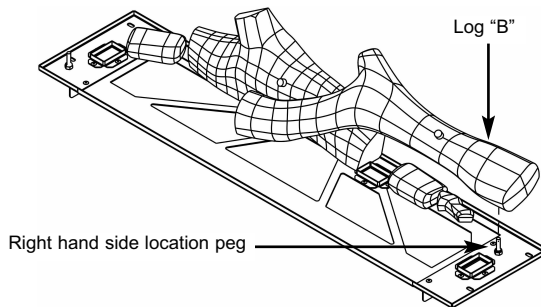
**Fig. 22**



- 5.10.4 Add the 'Embaglow' material on the top of the vermiculite. To do this separate into short strands and place randomly over the across the length of the fuelbed

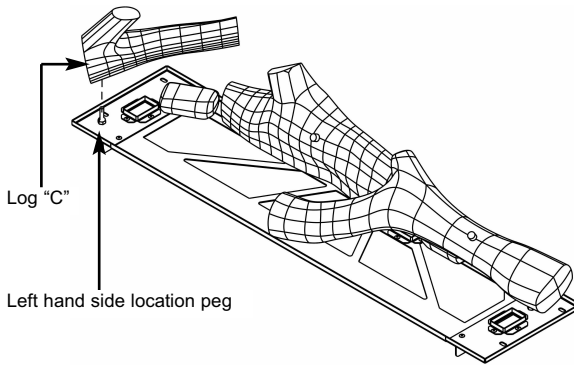
- 5.10.5 Place Log "B" onto the RH side location peg and allow to rest on log A as shown below in figure 23.

**Fig. 23**



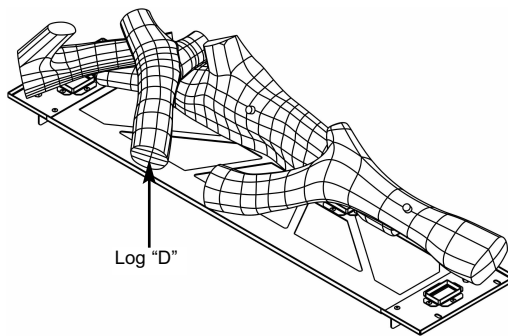
5.10.6 Place Log “C” on the LH side location peg and allow to rest on Log “A” as shown below in figure 24.

**Fig. 24**



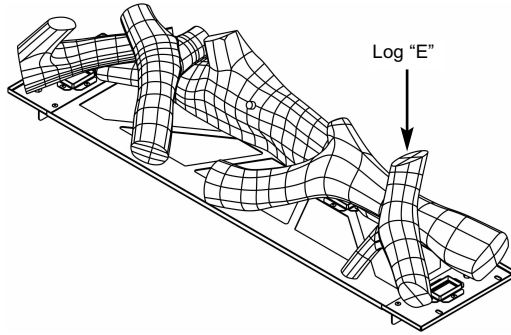
5.10.7 Place Log “D” at the left hand side of the burner, resting on Log “A” and Log “C” as shown below in figure 25.

**Fig. 25**



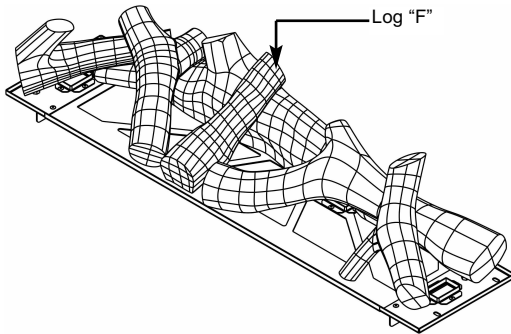
5.10.8 Place Log “E” onto Log “B” by locating onto the location lug on log “B” as shown below in figure 26.

**Fig. 26**



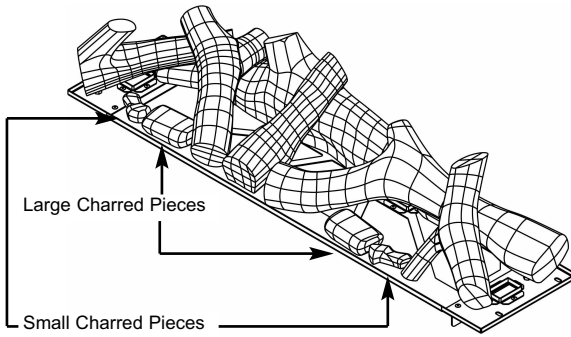
5.10.9 Place Log “F” in the middle of the fuelbed by locating onto the location lug on Log “A” as shown below in figure 27.

**Fig. 27**



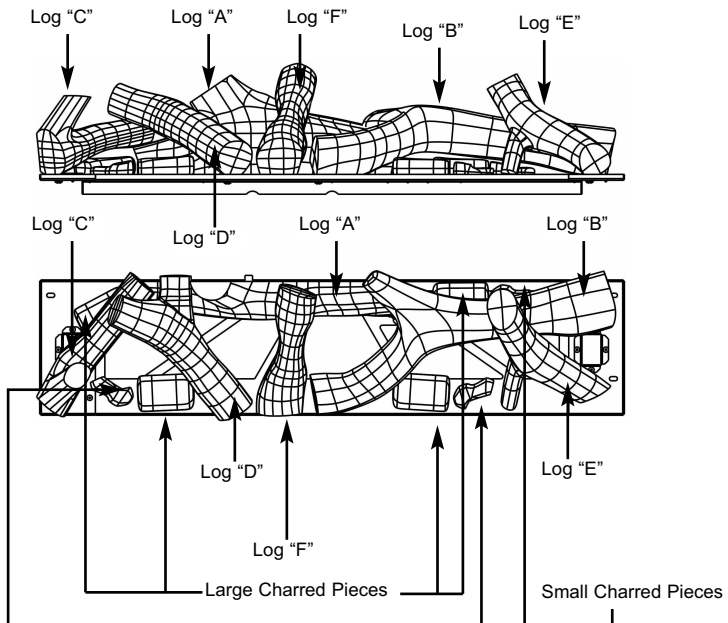
5.10.10 Add the remaining 2 large and 2 small charred log pieces along the front of the fuelbed as shown below in figure 28.

**Fig. 28**



5.10.11 Complete a final check to ensure all logs are positioned and located correctly as shown below in figure 29.

**Fig. 29**



5.10.12 Refit the glass panel in reverse order to that as described in section 5.9

**Warning : Use only the logs supplied with the fire. When replacing the logs remove the old logs and discard them. Fit a complete set of logs of the correct type. Do not fit additional logs or any logs other than a genuine replacement set.**

**This appliance does not contain any component manufactured from asbestos or asbestos related products.**

## 5.11 User Replaceable Parts

Glass Panel	B-1004772
Complete Log Set	B-1031224
Log A only	B-1031224A
Log B only	B-1031224B
Log C only	B-1031224C
Log D only	B-1031224D
Log E only	B-1031224E
Log F only	B-1031224F
Log piece Large	B-1000661
Log Piece Small	B-1000662
Embaglow	B-120070
Vermiculite	CV-107116
Black Vermiculite	B-1028774
Battery pack	B-168920

**Part No. B-1033435**  
**Issue 2**

The  
**Collection**  
by MICHAEL MILLER

BFM Europe Ltd.  
Trentham Lakes  
Stoke-on-Trent  
Staffordshire  
ST4 4TJ

[www.bfm-europe.com](http://www.bfm-europe.com)

Spare Parts - [www.bfm-partfinder.co.uk](http://www.bfm-partfinder.co.uk)

**Telephone - General Enquiries :**  
**Telephone - Service :**

**(01782) 339000**  
**(01782) 339008**