

THE  
COLLECTION

---

by Michael Miller

25

YEAR GUARANTEE



LEADING BY DESIGN

# THE COLLECTION

by Michael Miller

Beauty, warmth, a work of art... discover The Collection

---



When I imagine my ideal home, I imagine the perfect combination of form and function. And right at the heart of my home, a fire that impresses me with its looks, its innovation and its energy efficiency.

A fire is never just a fire. It's a statement of style that brings a home to life. So, we've crafted this stunning collection of unique gas and electric fires – each of them created to offer you the highest quality and superb energy efficiency. They look beautiful; they work beautifully.

I'm proud of The Collection, and I have absolute confidence in the quality, reliability and durability – so much confidence, in fact, that I offer a 25 year guarantee on gas fires, and 5 years guarantee on electric fires.

You'll find more details about our guarantee in this brochure, along with all the inspiration and information you need. I hope you enjoy choosing your new fire.

A handwritten signature in black ink, reading "Michael Miller".





## Contents

5	Introduction & guarantee	7	Product testing and certification
6	High efficiency gas fires	8	Deluxe Glass interiors

### GAS

10	Da Vinci Illumia MD Suites	60	Carmelo HE
12	Da Vinci Illumia Slimline BF Suite	62	Eden HE
14	Boticelli Illumia Slimline BF Suite	64	Luxe
16	Aleesia	66	Passion HE & BF
20	Aleesia Illumia Suite	68	Passion HE & BF Suites
24	Asencio	70	Passion HE & BF Accessories
28	Asencio Suite		
32	Celena		
34	Celena Slimline BF		
38	Boticelli Celena Suites		
40	Boticelli Celena Slimline BF Suite		
42	Angelo Celena Suites		
44	Pablo Celena Suite		
48	Eden Elite & Slimline BF		
52	Avignon Eden Elite & Slimline BF Suites		
56	Parada Elite & Slimline BF Illumia Suites		

### ELECTRIC

18	U-VR Aleesia & Vader Aleesia
22	U-VR Aleesia Illumia Suite
26	U-VR Asencio & Evora Asencio
30	U-VR Asencio Suite
36	U-VR Celena & Impulse Celena
46	U-VR Celena Suites
50	U-VR Elite & Instinct Elite
54	U-VR Avignon Elite Suites
58	U-VR Parada Elite Illumia Suites

72	Gas Fire Dimensions	80	Balanced Flue Installations
75	False Chimney Kits	82	Electric Fire Dimensions
76	Gas Suite Dimensions	83	Electric Suite Dimensions

### ONLINE VIDEO

Wherever you see this symbol, use the QR code scanner app on your smartphone or mobile device to watch a short video of this fire.

## Discover our Gas & Electric Fires & Suites

Beautiful fires with the power to transform a room. Fabulous suites, sleek 'wall inset' designs, and easy-to-install fires that don't require a chimney. Every model starts from a design concept nurtured by our research and development team. Our products are assessed and approved by leading independent organisations. Each fire is then made with the utmost care in our state-of-the-art development and manufacturing site here in the UK. And only when a fire has been rigorously checked by our quality control department does it leave our hands.

Choose a fire from The Collection, and rest assured that behind the beauty and warmth lies a technology innovated and crafted to perform and impress.



Every gas fire carries a 25 year Comprehensive Guarantee† providing you with reassurance and peace of mind for many years to come. That's a 25 year Guarantee against manufacturing and material defects, including parts and labour, subject to our 'Conditions of guarantee' including annual service and annual replacement of the oxy-pilot/ thermocouple assembly.

We offer this guarantee, unlike any other gas fire manufacturer, as a sign of our commitment to the highest standards of build quality, safety and performance. In line with gas industry practice, we advise that all our gas fires are installed and serviced annually\* by a Gas Safe Register engineer to ensure continued safe operation and optimum performance throughout the lifetime of the product.

† Applicable only to gas fire engines. Fire surrounds and fascias carry a 12 month guarantee. \* This is also a requirement of your 25 year guarantee.



Our premium range of Celsi electric fires provides versatile heating for any room in your home simply by plugging into the nearest mains socket. Discover our contemporary styles designed to look sensational and create comfortable controllable warmth.

We are confident you are getting a product that is built to last. That's why we offer a 2 Year full Guarantee across our electric fires range, with an extended 3\*years limited warranty on selected Celsi models.

5 year limited warranty provides 2 years full guarantee and 3\* years parts only. Only applicable to electric fire engines. Fire Surrounds and Fascias are subject to 12 months guarantee.





## high efficiency

---

BFM Europe Ltd has always had a reputation as a manufacturer of some of the most efficient fires on the market. Now we are setting new industry standards with The Collection by Michael Miller range and providing exceptional heat output combined with lower running costs compared to standard gas fires.

All gas fires in this range feature a glass panel across the front of the fire which radiates the heat generated from the fuel bed directly into the room. The glass panel concentrates the radiant heat generated by the flame effect and projects it directly into the room to ensure that more heat is used to warm the room and less is lost through the chimney.

This radiant heat is combined with convected heat which is produced by cool air drawn into the fire through the heat exchanger and emitted as warm air through the gap above the canopy. Making our gas fires some of the most efficient available.

Many of the fires found in this brochure have a balanced flue system, designed for those who want all the benefits of a gas fire but don't have a built in chimney or flue in their home. They work in much the same way as our conventional flue fires but come with their own flue terminal which is vented directly through an outside wall or via the roof of your home. Several of our balanced flue fires can be purchased with either a horizontal or vertical flue kit to give you more flexibility in the location of your fireplace.

More information about balanced flue kits can be found on pages 80-81.



## Product Testing & Certification

All our gas fires are independently tested, approved and verified by the British Standards Institution (BSI) to meet the latest standards for performance, safety and efficiency.

BSI is an independent organisation. They are not owned by the government, industry or shareholders, which means that they can be totally objective with regards testing and certification. This gives their assessments more authority than those of an organization that has a vested interest in promoting its members.

They have some of the most experienced and knowledgeable staff in the world and are recognised internationally for their technical expertise, quality services and in-depth knowledge of gas and electrical product testing and certification.

The wide-ranging capability of their testing facilities and the broad expertise and knowledge of their testing and certification staff ensures our products are rigorously tested with the utmost integrity.



### ECODESIGN COMPLIANT

This logo signifies that the product is fully compliant with the Eco design directive Commission Regulation (EU) 2015/1188.



### CRAFTED IN BRITAIN

Every gas fire in The Collection by Michael Miller range is developed and manufactured in Britain at our purpose built state-of-the-art facility in Staffordshire.



### TESTED & APPROVED

Conforms to GB legislation





## A Touch of Class... Deluxe Glass

“Your choice from our Deluxe range is a pure reflection of your own desire and belief in high quality, style, sophistication and cutting edge design.

My compliments on your choice and pursuit of excellence, a true reflection of class, although no reflection here, every Deluxe model has non reflective glass.”



## Deluxe Glass... A Touch of Class



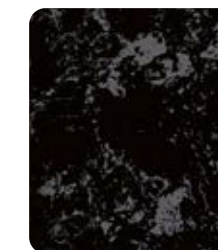
## DELUXE GLASS INTERIORS



Black & Marble Gold



White & Stone Grey



Black & Onyx Grey

## Da Vinci Aleesia Asencio Celena Passion HE

Our exceptional range of products provide all the warmth, comfort, and style to be expected from high performance gas fires. This collection of exclusive Deluxe glass interiors introduce an additional layer of pure aesthetic luxury.







MM-44 INTEGRATED DUAL FLAME BURNER

## Da Vinci Illumia MD Gas Fire Suites

The Da Vinci mid-depth gas fire is now available in three limestone Illumia suites, the classically designed Da Vinci, Giuliano, and the more contemporary Monet, all sure to be the centre of attention in any home. The fire provides highly realistic logs, paired with the latest MM-44 dual burner technology, delivering log burning flame integration set against a black & onyx grey deluxe glass interior, or a beautiful black enamel interior.

These suites are available as conventional flue models, suitable for installation into any standard brick chimney or pre-fabricated flue, with a maximum heat output of 6.8kW. Each surround features controllable inset decorative lights, and the fire features include our multi-functional remote control system with thermostatic and timer functions. Non-reflective glass provides an exceptionally clear vision of this most natural and truly vibrant living flame gas fire.

\*A 240V mains electricity supply is required to power the remote control system.

### SPECIFICATION

		CONVENTIONAL FLUE
		Natural Gas
Useful energy efficiency		71.9%
Energy efficiency class		E
Direct heat output		6.8kW
Flue		Brick Chimney or pre-fabricated flue
Control		Multifunctional Remote Control
Da Vinci Suite Model Number	Black & Onyx Grey DLX Glass	DDCLNIRN3-BGY210
	Black Enamel	DDCLRBRN3210
Monet Suite Model Number	Black & Onyx Grey DLX Glass	DDCLNIRN3-BGY448
	Black Enamel	DDCLRBRN3448
Giuliano Suite Model Number	Black & Onyx Grey DLX Glass	DDCLNIRN3-BGY151
	Black Enamel	DDCLRBRN3151



GIULIANO ILLUMIA MD SUITE  
BLACK ENAMEL INTERIOR



MONET ILLUMIA MD SUITE  
BLACK ENAMEL INTERIOR







## Da Vinci Illumia Slimline

### Balanced Flue Gas Fire Suite

The stunning Da Vinci limestone surround is now available as a Slimline balanced flue suite. This highly efficient log effect gas fire can be easily installed in to most standard wall cavities and comes with a deep black enamel interior.

A non-reflective glass front provides a flawless view of the flame picture, whilst further complimented by the surrounds integrated exterior down-lights.

\*A 240V mains electricity supply is required to power the remote control system.



ZIG-ZAG FLAME BURNER TECHNOLOGY

#### SPECIFICATION

		SLIMLINE BALANCED FLUE
		Natural Gas
Useful energy efficiency		87.2%
Energy efficiency class		C
Direct heat output		4.3kW
Flue		Horizontal
Control		Multifunctional Remote Control
Suite Model Number	Black Enamel	DSBLEBRN310





## Boticelli Illumia Slimline

### Balanced Flue Gas Fire Suite

The Boticelli slimline balanced flue gas fire suite has been cleverly designed for easier installation in to most wall cavities without the need to build a false chimney breast to accommodate the depth of the engine. This suite also features a non-reflective glass front panel which is virtually invisible to the naked eye. The fire surround is made from Portuguese limestone and has integrated down-lights which are operated from the fires remote control handset.

\*A 240V mains electricity supply is required to power the remote control system.



ZIG-ZAG FLAME BURNER TECHNOLOGY

#### SPECIFICATION

		SLIMLINE BALANCED FLUE
		Natural Gas
Useful energy efficiency		87.2%
Energy efficiency class		C
Direct heat output		4.3kW
Flue		Horizontal
Control		Multifunctional Remote Control
Suite Model Number	Black Enamel	DSBLEBRN840







## Aleesia Gas Fires

The Aleesia is a highly efficient landscape gas fire that benefits from virtually invisible non-reflective glass, along with naturally detailed realistic logs.

Captivating flames flow throughout the fuel effect which is beautifully enhanced by a choice of interior liners made available in deluxe glass, or black enamel.

Fascias for this product are available in a dual metallic finish of Black Nickel & Black, or Black Nickel & Chrome.

This fire is operated by a multifunctional remote control system with thermostatic and timer functions allowing you to pre-set your desired room temperature and control when the fire turns on and off.

\*A 240V mains electricity supply is required to power the remote control system.

Battery conversion kit available.



BLACK & MARBLE GOLD DELUXE GLASS INTERIOR  
BLACK NICKEL & BLACK FASCIA



BLACK ENAMEL INTERIOR  
BLACK NICKEL & CHROME FASCIA

### SPECIFICATION

		CONVENTIONAL FLUE
		Natural Gas
Useful energy efficiency		74.8%
Energy efficiency class		E
Direct heat output		4.2kW
Flue		Brick Chimney or pre-fabricated flue
Control		Multifunctional Remote Control
Fire Model Number	Black & Onyx Grey DLX Glass	DDALNIRN-BGY
	Black & Marble Gold DLX Glass	DDALNIRN-BGD
	Black Enamel	DDALBERN







## U-VR Aleesia & Vader Aleesia Ultiflame VR Electric Fires

U-VR Aleesia is a wall inset glass fronted electric fire, designed to look sensational and create comfortable controllable warmth at the touch of a button.

Ultiflame virtual reality fires display an illusion of hot crystal embers with intense tall flames and realistic naturally detailed logs.

This fire is available with a dual metallic fascia, with optional colour finishes in Black Nickel & Black, or Black Nickel & Chrome. Also available as a minimalistic fascia-less fire.

### Features

- Glass fronted fire
- Customisable fuel effect
- Silver birch logs
- Crystal ash embers
- Single or dual colour flame
- LED brightness control
- Thermostatic remote & manual control operation



VADER-BLACK NICKEL & CHROME FASCIA



FASCIA-LESS

### SPECIFICATION

		ELECTRIC
Heat output		0.8kW - 1.6kW
Control		Thermostatic Remote & Manual Control
Fire Model Number	Vader-Black Nickel & Black	CEULALRE-BNB
	Vader-Black Nickel & Chrome	CEULALRE-BNC
	Fascia-less	CEULALRE







## Aleesia Illumia Gas Fire Suites

The Aleesia Illumia features a classically styled Limestone surround with built in decorative lights. This efficient landscape gas fire benefits from virtually invisible non-reflective glass, along with naturally detailed realistic logs.

Captivating flames flow beautifully throughout the log fuel bed and is further enhanced by a choice of interior liners available in deluxe glass, or black enamel.

Operated by a multifunctional remote control system with thermostatic and timer functions, this fire allows you to pre-set your desired room temperature and control when it turns on and off.

Available surround widths are 58 inches, or 54 inch to fit smaller rooms or a narrow chimney breast.

**\*A 240V mains electricity supply is required to power the remote control system.**

Battery conversion kit available.



BLACK & ONYX GREY DELUXE GLASS INTERIOR



BLACK ENAMEL INTERIOR

### SPECIFICATION

		CONVENTIONAL FLUE
		Natural Gas
Useful energy efficiency		74.8%
Energy efficiency class		E
Direct heat output		4.2kW
Flue		Brick Chimney or pre-fabricated flue
Control		Multifunctional Remote Control
54" Suite Model Number	Black & Marble Gold DLX Glass	DDALNIRN-BGD331
	Black & Onyx Grey DLX Glass	DDALNIRN-BGY331
	Black Enamel	DDALBERN331
58" Suite Model Number	Black & Marble Gold DLX Glass	DDALNIRN-BGD068
	Black & Onyx Grey DLX Glass	DDALNIRN-BGY068
	Black Enamel	DDALBERN068







## U-VR Aleesia Illumia

### Ultiflame VR Electric Suites

U-VR Aleesia Illumia features a classically styled Limestone surround with integrated decorative LED down lights.

The 30 inch wide Ultiflame virtual reality fire displays an illusion of hot crystal embers, bright tall flames, and highly realistic naturally detailed logs.

Operated by a remote control system with thermostatic and timer functions, this fire allows you to pre-set your desired room temperature and control when it turns on and off.

This suite is available in 58, and 54 inch widths to accommodate a smaller room, or a narrow chimney breast.

#### Features

- Glass fronted fire
- Dimmable LED surround lighting
- Customisable fuel effect
- Silver birch logs
- Crystal ash embers
- Single or dual colour flame
- LED brightness control
- Thermostatic remote & manual control operation
- Available in two sizes



FLAME FUSION DUAL COLOUR CONTROL

#### SPECIFICATION

		ELECTRIC
Heat output		0.8kW - 1.6kW
Control		Thermostatic Remote & Manual Control
Suite Model Number	58" Suite	CEULALS8RE
	54" Suite	CEULALS4RE







## Asencio Gas Fires

The Asencio gas fire has been designed to look beautiful and perform brilliantly. Accommodating tall flowing flames ascending from natural appearance logs, this fire provides a sensational fuel effect showcase for your living area.

A thermostatic remote control system allows you to select the times you want the fire to automatically turn on or off with pre-set temperature functionality to select your desired heating comfort level.

Featuring non-reflective glass this highly efficient gas fire has a direct heat output of 4.0kW, and is available with a choice deluxe glass, or black enamel interior liners.

Installation is suitable for most standard chimneys.



BLACK & MARBLE GOLD DELUXE GLASS INTERIOR  
MATTE BLACK FASCIA



BLACK ENAMEL INTERIOR  
CHROME FASCIA

### SPECIFICATION

		CONVENTIONAL FLUE
		Natural Gas
Useful energy efficiency		77.1%
Energy efficiency class		D
Direct heat output		4.0kW
Flue		Brick Chimney or pre-fabricated flue
Control		Fully Automatic Remote with Thermostatic Control
Fire Model Number	Black & Onyx Grey DLX Glass	DDCLNIRN2-BGY
	Black & Marble Gold DLX Glass	DDCLNIRN2-BGD
	Black Enamel	DDCLBERN2







## U-VR Asencio & Evora Asencio Ultiflame VR Electric Fires

The Ultiflame VR Asencio is a glass-fronted wall inset electric fire that benefits from a multi-functional handset controller with integrated design features.

Through innovative technology we have created a virtual flame, real fire experience with visual depth and realistic flame movements. The fuel bed ceramics capture the authentic shape and texture of natural logs, that are positioned on a perception of hot glowing crystal embers.

Enjoy the relaxing warmth of a Virtual-Reality fire experience all at the touch of a button.

This fire is available with a dual metallic fascia finished in Black Nickel & Chrome. Also available as a minimalistic fascia-less fire.



FASCIA-LESS

### Features

- Glass fronted fire
- Customisable fuel effect
- Silver birch logs
- Crystal ash embers
- Single or dual colour flame
- LED brightness control
- Thermostatic remote & manual control operation



### SPECIFICATION

		ELECTRIC
Heat output		0.8kW - 1.6kW
Control		Thermostatic Remote & Manual Control
Fire Model	Evora-Black Nickel & Chrome	CEULASRE-FAS
Number	Fascia-less	CEULASRE





## Asencio Suite Gas Fire Suites

Straight lines and soft curves adorn this Limestone surround creating modern aesthetics that is further complemented when teamed with the tastefully designed Asencio gas fire.

This contemporary suite combination is a firm favourite for homeowners seeking a luxurious and impressive high performance fireplace.

Featuring non-reflective glass and 4.0kW of heat output, this fire comes with a choice of deluxe glass, or black enamel interior liners.



BLACK & ONYX GREY DELUXE GLASS INTERIOR



BLACK ENAMEL INTERIOR

### SPECIFICATION

		CONVENTIONAL FLUE
		Natural Gas
Useful energy efficiency		77.1%
Energy efficiency class		D
Direct heat output		4.0kW
Flue		Brick Chimney or pre-fabricated flue
Control		Fully Automatic Remote with Thermostatic Control
Suite Model Number	Black & Onyx Grey DLX Glass	DDCLNIRN2-BGY971
	Black & Marble Gold DLX Glass	DDCLNIRN2-BGD971
	Black Enamel	DDCLBERN2971







## U-VR Asencio

### Ultiflame VR Electric Suite

The tastefully designed U-VR Asencio Suite combines this stunning Portuguese Limestone surround with the optimal energy saving Ultiflame -VR 22 inch electric fire. The handset control provides integrated design features including thermostatic temperature settings along with independent flame isolation when heat is not required.

At the touch of a button this fire will stimulate your senses with visual flame captivation and relaxing comfortable warmth, creating a Virtual-Reality fire experience at the heart of your home.

This electric fire suite is a popular choice for homeowners looking to install a luxurious finish with a reliable heating performance.

#### Features

- Glass fronted fire
- Customisable fuel effect
- Silver birch logs
- Crystal ash embers
- Single or dual colour flame
- LED brightness control
- Thermostatic remote & manual control operation



#### SPECIFICATION

	ELECTRIC
Heat output	0.8kW - 1.6kW
Control	Thermostatic Remote & Manual Control
Suite Model Number	CEULASSRE



FLAME FUSION DUAL COLOUR CONTROL





## Celena Gas Fires

The Celena gas fire has been designed with perfect proportions to give you a large flame viewing area yet still enable installation in to most standard chimneys.

This highly efficient, non-reflective glass fronted fire has a direct heat output of up to 3.9kW. It is operated by a fully automatic remote control system which allows you to select the times you want the fires to automatically turn on and turn off and includes a thermostatic setting to allow you to pre-set your desired room temperature.



BLACK ENAMEL INTERIOR  
CHROME FASCIA



RUSTIC BRICK INTERIOR  
BRASS FASCIA



CREAM VERMICULITE INTERIOR  
MATTE BLACK FASCIA

### SPECIFICATION

		CONVENTIONAL FLUE	
		Natural Gas	LPG
Useful energy efficiency		79.3%	78.5%
Energy efficiency class		D	D
Direct heat output		3.8kW	3.9kW
Flue		Brick Chimney or pre-fabricated flue	
Control		Fully Automatic Remote with Thermostatic Control	
Fire Model Number	White & Stone Grey DLX Glass	DPRLNIRN2B-WB	DPRLNIRP2B-WB
	Black Enamel	DPRLBERN2B	DPRLBERP2B
	Rustic Brick	DPRLBBRN2B	-
	Cream Vermiculite	DPRLTVRN2B	-



## Celena Slimline

### Balanced Flue Gas Fire

Boasting a 89.3% energy efficiency performance with a 3.4kW heat output, this gas fire comes with natural appearance ceramic logs set against a glossy black enamel interior.

For clear vision and simple function this fire is built with non-reflective glass and operated by fully automatic remote control. This system includes a thermostatic setting to allow for desired pre-set room temperature.

Designed for installation into homes without a standard chimney or flue.

\*Requires a spacer when installing into a standard cavity wall.



BLACK NICKEL & CHROME FASCIA



BRASS FASCIA



MATTE BLACK FASCIA



#### SPECIFICATION

		SLIMLINE BALANCED FLUE
		Natural Gas
Useful energy efficiency		89.3%
Energy efficiency class		B
Direct heat output		3.4kW
Flue		Horizontal
Control		Fully Automatic Remote with Thermostatic Control
Model Number	Black Enamel	DCBLBERNB2

\*80mm Spacer 1184-1001079A





## U-VR Celena & Impulse Celena

### Ultiflame VR Electric Fires

The perfect proportions of U-VR Celena provides an instant feature fireplace and real focal point to any room. This inset electric fire simply looks sensational with its flowing bright lively flames and silver birch ceramic logs, all beautifully framed with a smart modern wide-angled brushed metallic fascia.

This stunning virtual reality fire is available in a choice of two metallic fascia options, Satin Silver, and Satin Black. A fascia-less option is available if you wish to create a minimalist installation with a contemporary finish.

Ultiflame VR fires provide realistic flame movements with relaxing comfortable soothing warmth, all fully controllable with a simple touch of a button. Sit back and enjoy the experience.

#### Features

- Open fronted fire
- Customisable fuel effect
- Silver birch logs
- Crystal ash embers
- Single or dual colour flame
- LED brightness control
- Thermostatic remote & manual control operation



#### SPECIFICATION

		ELECTRIC
Heat output		0.8kW - 1.6kW
Control		Thermostatic Remote & Manual Control
Fire Model Number	Impulse-Satin Silver	CESS22RE-ERP
	Impulse-Satin Black	CEBC22RE-ERP
	Fascia-less	CEUL22RE-ERP



IMPULSE-SATIN BLACK FASCIA



FASCIA-LESS







## Boticelli Celena Suite

### Gas Fire Suites

The Boticelli Celena suite is designed to perfectly complement homes with traditional or modern styling. The surround features include pilaster legs with plinths, rolled edge framed mantle, and hearth with step detail. This suite is available in natural Limestone, or a popular combination of Limestone and Black Granite.

Your choice of surround is then companioned with the perfectly proportioned Celena gas fire, a highly efficient, non-reflective glass fronted fire with a direct heat output up to 3.9kW.

This fire features a realistic raised chunky log fuel effect, and is operated by fully automatic thermostatic remote-control system, allowing you to automatically turn the appliance on and off at the time of your choice, with pre-set room temperature selection.

#### SPECIFICATION

		CONVENTIONAL FLUE	
		Natural Gas	LPG
Useful energy efficiency		79.6%	78.5%
Energy efficiency class		D	D
Direct heat output		3.8kW	3.9kW
Flue		Brick Chimney or pre-fabricated flue	
Control		Fully Automatic Thermostatic Remote Control	
Limestone Suite Model Number	White & Stone Grey DLX Glass	DPRLNIRN2B-WG629	DPRLNIRP2B-WG629
	Black Enamel	DPRLBERN2B629	DPRLBERP2B629
	Rustic Brick	DPRLBBRN2B629	-
	Cream Vermiculite	DPRLTVRN2B629	-
Limestone & Black Granite Suite Model Number	White & Stone Grey DLX Glass	DPRLNIRN2B-WG467	DPRLNIRP2B-WG467
	Black Enamel	DPRLBERN2B467	DPRLBERP2B467
	Rustic Brick	DPRLBBRN2B467	-
	Cream Vermiculite	DPRLTVRN2B467	-



LIMESTONE  
RUSTIC BRICK INTERIOR



LIMESTONE  
BLACK ENAMEL INTERIOR



LIMESTONE  
CREAM VERMICULITE INTERIOR





## Boticelli Celena Slimline

### Balanced Flue Suite

The Boticelli Celena balanced flue suite, made from Portuguese Limestone is beautifully designed to include pilaster legs with plinths, and smooth rolled edged mantle and hearth.

At the heart of this surround lies the non-reflective, glass fronted Celena BF gas fire. Its black enamel interior lining creates the perfect contrast against bright flowing flames and realistic ceramic logs, providing a showcase feature fireplace for your home.

Operated by a fully automatic remote-control, this system includes a thermostatic setting to allow for desired pre-set room temperature.



NATURAL LOGS AESTHETICS

#### SPECIFICATION

		SLIMLINE BALANCED FLUE
		Natural Gas
Useful energy efficiency		89.3%
Energy efficiency class		B
Direct heat output		3.4kW
Flue		Horizontal
Control		Fully Automatic Thermostatic Remote Control
Model Number	Black Enamel	DCBLBERNB720







CREAM VERMICULITE INTERIOR

## Angelo Celena Gas Fire Suites

The Angelo suite is a modern design crafted from high quality Portuguese Limestone and features a combination of straight lines and soft curves with an attractive contemporary step hearth design. There is also a stunning combined Portuguese Limestone and Black Granite option to suit those who desire a sensational contrasting finish.

At the heart of this suite, you'll be quite at home with the highly efficient Celena gas fire, with a non-reflective glass front and a beautiful log fuel effect boasting 79.6% energy efficiency. Operated by fully automatic remote control, this system allows you to select the times you want the fires to automatically turn on and turn off and includes a thermostatic setting to allow for desired pre-set room temperature.



LIMESTONE  
RUSTIC BRICK INTERIOR



LIMESTONE & BLACK GRANITE  
WHITE & STONE GREY DELUXE GLASS INTERIOR

### SPECIFICATION

		CONVENTIONAL FLUE	
		Natural Gas	LPG
Useful energy efficiency		79.6%	78.5%
Energy efficiency class		D	D
Direct heat output		3.8kW	3.9kW
Flue		Brick Chimney or pre-fabricated flue	
Control		Fully Automatic Remote with Thermostatic Control	
Limestone Suite Model Number	White & Stone Grey DLX Glass	DPRLNIRN2B-WG347	DPRLNIRP2B-WG347
	Black Enamel	DPRLBERN2B347	DPRLBERP2B347
	Rustic Brick	DPRLBBRN2B347	-
	Cream Vermiculite	DPRLTVRN2B347	-
Limestone & Black Granite Suite Model Number	White & Stone Grey DLX Glass	DPRLNIRN2B-WG829	DPRLNIRP2B-WG829
	Black Enamel	DPRLBERN2B829	DPRLBERP2B829
	Rustic Brick	DPRLBBRN2B829	-
	Cream Vermiculite	DPRLTVRN2B829	-







BLACK ENAMEL INTERIOR

## Pablo Celena Gas Fire Suites

For simplistic fireplace aesthetics, the Pablo Celena suite is the perfect choice. The sleek, minimalist styling and clean straight lines deliver impact and noticeable prominence. Made from the finest quality Portuguese Limestone this surround perfectly frames the high performance Celena gas fire.

Gas fire features include non-reflective glass, a beautiful log fuel effect with up to 79.6% energy efficiency. Operated by fully automatic remote-control, this system allows you to select the times you want the fires to automatically turn on and turn off, and includes a thermostatic setting to allow for desired pre-set room temperature.



WHITE & STONE GREY DELUXE INTERIOR



CREAM VERMICULITE INTERIOR

### SPECIFICATION

	CONVENTIONAL FLUE		
	Natural Gas	LPG	
Useful energy efficiency	79.6%	78.5%	
Energy efficiency class	D	D	
Direct heat output	3.8kW	3.9kW	
Flue	Brick Chimney or pre-fabricated flue		
Control	Fully Automatic Remote with Thermostatic Control		
Suite Model Number	White & Stone Grey DLX Glass	DPRLNIRN2B-WG968	DPRLNIRP2B-WG968
	Black Enamel	DPRLBERN2B968	DPRLBERP2B968
	Rustic Brick	DPRLB8RN2B968	-
	Cream Vermiculite	DPRLTVRN2B968	-





## U-VR Celena

### Ultriflame VR Electric Suites

The perfect proportions of the 22 inch U-VR Celena electric fire are combined with three of our finest quality Portugese Limestone surrounds.

**Boticelli** - designed to perfectly complement homes with traditional or modern styling. Featuring pilaster legs with plinths, rolled edge framed mantle, and hearth with step detail.

**Angelo** - a modern surround crafted with a combination of straight lines and soft curves, including a contemporary step hearth design.

**Pablo** - a more simplistic surround aesthetic, and the perfect choice for minimalist styling with clean straight lines to create an impression.

#### Features

- Open fronted fire
- Customisable fuel effect
- Silver birch logs
- Crystal ash embers
- Single or dual colour flame
- LED brightness control
- Thermostatic remote & manual control operation



U-VR ANGELO SUITE



U-VR PABLO SUITE



#### SPECIFICATION

		ELECTRIC
Heat output		0.8kW - 1.6kW
Control		Thermostatic Remote & Manual Control
Suite	U-VR Boticelli Suite	CEULAVRE-ERP
Model Number	U-VR Angelo Suite	CEULLIRE-ERP
	U-VR Pablo Suite	CEULRSRE-ERP





## Eden Elite & Slimline BF Conventional & Balanced Flue Gas Fires

The Eden Elite is our slimmest wall inset gas fire with up to 85.6% energy efficiency and up to 4.9kW heat output. It is operated by a thermostatic remote control system to perfectly control your comfort.

The conventional flue model is designed to be easily installed into almost any chimney without compromising on the stunning log fuel effect and flame aesthetics.

The Slimline balanced flue model is a perfect solution for homes designed without a chimney or flue.

The Eden Elite is a non-reflective glass fronted fire with black enamel interior lining. This fire can be fitted with or without a fascia. Slimline fascias are available in a brushed satin silver, or matte black finish.

\*A 240V mains electricity supply is required to power the remote control system (Balanced flue only).



SLIMLINE BALANCED FLUE  
WITHOUT FASCIA



SLIMLINE BALANCED FLUE  
BRUSHED SATIN SILVER FASCIA



### SPECIFICATION

	CONVENTIONAL FLUE		SLIMLINE BALANCED FLUE
	Natural Gas	LPG	Natural Gas
Useful energy efficiency	78.6%	69%	85.6%
Energy efficiency class	D	E	C
Direct heat output	4.9kW	4.3kW	3.7kW
Flue	Brick Chimney or pre-fabricated flue		Horizontal
Control	Fully Automatic Remote with Thermostatic Control		
Model Number	DEEELRNB	DEEELRPB	DBELEBRNB

CONVENTIONAL FLUE



SLIMLINE BALANCED FLUE





## U-VR Elite

### Ultiflame VR Electric Fires

The Ultiflame VR Elite is a wall inset electric fire that benefits from a multi-functional handset controller with integrated design features.

Through innovative technology we have created a virtual flame, real fire experience with visual depth and realistic flame movements. The fuel bed ceramics capture the authentic shape and texture of natural logs, that are positioned on a perception of hot glowing crystal embers.

Enjoy the relaxing warmth of a Virtual-Reality fire experience all at the touch of a button.

The U-VR Elite is available with a choice of two brushed metallic fascias, Satin Black, and Satin Champagne. Also available as a minimalistic fascia-less fire.

#### Features

- Open fire experience
- Customisable fuel effect
- Silver birch logs
- Crystal ash embers
- Single or dual colour flame
- LED brightness control
- Thermostatic remote & manual control operation



#### SPECIFICATION

		ELECTRIC
Heat output		0.8kW - 1.6kW
Control		Thermostatic Remote & Manual Control
Fire Model Number	Satin Black	CEBC33RE-ERP
	Satin Champagne	CECH33RE-ERP
	Fascia-less	CEUL33RE-ERP



SATIN CHAMPAGNE FASCIA



FASCIA-LESS





## Avignon Eden Elite & Slimline BF Conventional & Balanced Flue Suites

This stunning fireplace suite comprises the classically styled Avignon surround in 54 and 58 inch wide versions, made from high quality natural Portuguese Limestone and includes the fabulous Eden Elite gas fire.

The conventional flue option features a stunningly realistic raised log fuel effect. It has an energy efficiency of 78.6% and impressive heat output of up to 4.9kW.

The slimline balanced flue option is suitable for installation into homes without a brick chimney or pre-fabricated flue and has an impressive energy efficiency of 85.6% and 3.7kW heat output.

Both models feature a glossy black enamel interior and benefit from non-reflective glass. Operated by a thermostatic remote control system, these fires can maintain a comfortable room temperature at the touch of a button.

\*A 240V mains electricity supply is required to power the remote control system (Balanced flue only).



SLIMLINE BALANCED FLUE  
54 INCH SUITE



### SPECIFICATION

	CONVENTIONAL FLUE		SLIMLINE BALANCED FLUE	
	Natural Gas	LPG	Natural Gas	
Useful energy efficiency	78.6%	69%	85.6%	
Energy efficiency class	D	E	C	
Direct heat output	4.9kW	4.3kW	3.7kW	
Flue	Brick Chimney or pre-fabricated flue		Horizontal	
Control	Fully Automatic Remote with Thermostatic Control			
Suite Model Number	54" inch suite	DEEELRN890	DEEELRP890	DBELEBRN722
	58" inch suite	DEEELRN910	DEEELRP910	DBELEBRN779

CONVENTIONAL FLUE



SLIMLINE BALANCED FLUE







## U-VR Avignon Elite

### Ultiflame VR Electric Suites

The elegantly designed U-VR Avignon Elite Suite combines this stunning Portuguese Limestone surround with the optimal energy saving Ultiflame VR 33 inch electric fire.

The handset control provides integrated design features including thermostatic temperature settings along with independent flame isolation when heat is not required.

This electric fire suite is a popular choice for homeowners looking to install a luxurious finish with a reliable heating performance.

Two suite widths are available, 58 inches, and 54 inches to fit smaller rooms or a narrow chimney breast.



54 INCH SUITE

#### Features

- Open fronted fire
- Customisable fuel effect
- Silver birch logs
- Crystal ash embers
- Single or dual colour flame
- LED brightness control
- Thermostatic remote & manual control operation



#### SPECIFICATION

		ELECTRIC
Heat output		0.8kW - 1.6kW
Control		Thermostatic Remote & Manual Control
Suite Model Number	58" Suite	CEULALRE-ERP
	54" Suite	CEULASRE-ERP





## Parada Elite Illumia & Slimline BF Conventional & Balanced Flue Suites

The Parada Elite suite features a stunning Portuguese Limestone surround and a contemporary non-reflective glass fronted gas fire. The fire surround is complemented by integrated down lights and is available in both 54 and 58 inch wide versions.

The conventional flue fire comes with a choice of glossy black enamel or cream vermiculite interior. The slimline balanced flue fire is available with a glossy black enamel interior. Both fires feature a stunningly realistic log fuel effect and multifunctional remote control operation.

**\*A 240V mains electricity supply is required to power the remote control system.**



CONVENTIONAL FLUE  
54 INCH SUITE

### SPECIFICATION

		CONVENTIONAL FLUE	SLIMLINE BALANCED FLUE
		Natural Gas	
Useful energy efficiency		78.6%	85.6%
Energy efficiency class		D	C
Direct heat output		4.9kW	3.7kW
Flue		Brick Chimney or pre-fabricated flue	Horizontal
Control		Multifunctional Remote Control	
Suite Model Number	54" inch suite	DPELELRN740	DBELEBRN740
	58" inch suite	DPELELRN750	DBELEBRN750



CONVENTIONAL FLUE



SLIMLINE BALANCED FLUE







## U-VR Parada Elite Illumia Ultiflame VR Electric Suites

The stylish U-VR Parada Elite Illumia Suite combines the luxury of natural Limestone with the 33 inch electric fire performance using advanced Ultiflame VR technology.

The surround is available in two sizes, 58 and 54 inch widths to suit your installation space, and features integrated warm LED downlights that are dimmable to your preferred room ambient brightness.

The fire comes with supremely detailed ceramics that capture the authentic shape and texture of natural logs placed over a perception of hot crystal embers. The remote handset controls advanced design features such as thermostatic temperature, independent flame isolation (when heat is not required), and Flame fusion colour control.

For a modern and elegant fireplace U-VR Parada Elite Illumia Suite will enhance your living space and create a relaxing warm home lifestyle.



54 INCH SUITE

### Features

- Open fronted fire
- Dimmable LED surround lighting
- Customisable fuel effect
- Silver birch logs
- Crystal ash embers
- Single or dual colour flame
- LED brightness control
- Thermostatic remote & manual control operation



### SPECIFICATION

		ELECTRIC
Heat output		0.8kW - 1.6kW
Control		Thermostatic Remote & Manual Control
Suite Model Number	58" Suite	CEULALRE-ERP
	54" Suite	CEULASRE-ERP





## Carmelo Gas Fire

With its large size and enchanting flame picture the Carmelo HE hole in the wall balanced flue gas fire is certainly a show-stopper and it provides exceptional performance too.

If you're looking for luxury combined with exceptional heat output then the Carmelo HE is the ideal gas fire for you. With a viewing area measuring 1145mm along with an enchanting flame picture reflecting in its glossy black enamel interior, this hole in the wall balanced flue gas fire has a heat output of 6.4kW and 75.4% Useful energy efficiency, providing exceptional performance too.

What's more this fire can be installed almost anywhere in the home since it uses a balanced flue system with a choice of horizontal flue, vertical flue or chimney conversion flue kits available to choose from. Both log and white stone fuel effects are supplied with every fire.

**\*A 240V mains electricity supply is required to power the remote control system.**

### SPECIFICATION

	BALANCED FLUE
	Natural Gas
Useful energy efficiency	75.4%
Energy efficiency class	E
Direct heat output	6.4kW
Flue	Horizontal and Vertical Kits and Chimney Conversion Kit available
Control	Fully Automatic Remote with Thermostatic Control
Model Number	DCML00RN2







## Eden HE

### Gas Fire

This glass fronted landscape wall inset gas fire has an incredible 83% energy efficiency and up to 5.2kW heat output. It features tall flames beautifully set within a glossy black enamel interior creating stunning contrast with enchanting natural movement.

The Eden HE comes with a choice of log or white stone fuel effect and has been designed as a trimless fire for a very minimalist appearance, or can be teamed with an optional slimline fascia for a more prominent centrepiece.

**\*A 240V mains electricity supply is required to power the remote control system.**



WHITE STONES  
CHROME SLIMLINE FASCIA

#### SPECIFICATION

	CONVENTIONAL FLUE
	Natural Gas
Useful energy efficiency	83%
Energy efficiency class	D
Direct heat output	5.2kW
Flue	Brick Chimney or pre-fabricated Flue
Control	Fully Automatic Remote with Thermostatic Control
Model Number	DHVG00RN2B







ZIG-ZAG FLAME BURNER TECHNOLOGY

## Luxe Gas Fire

A combination of elegance and performance makes the Luxe an extremely desirable gas fireplace. Its perfectly proportioned glass frame provides a three-side view of one of the most stunning flame effects available today.

The Luxe features a driftwood fuel effect with glowing embers and a glossy black enamel back panel which reflects its enchanting flames, and is operated by a stylish remote control handset with a thermostatic function which allows you to pre-set your desired temperature level so that you are never too cold or too warm.

This balanced flue gas fireplace can be purchased with a choice of horizontal or vertical flue kit so can be installed almost anywhere in your home and offers an exceptional 76.4% net energy efficiency with a heat output of 6.7kW.

Installation of the appliance is made easy with integrated adjustable legs and the option to purchase a false chimney kit consisting of metal studwork which can be clad with the fitters' choice of high temperature board. (see page 75 for further details).

**\*A 240V mains electricity supply is required to power the remote control system.**

### SPECIFICATION

	BALANCED FLUE
	Natural Gas
Useful energy efficiency	76.4%
Energy efficiency class	E
Direct heat output	6.7kW
Flue	Horizontal or Vertical
Control	Multifunctional Remote Control
Model Number	DCHLLXRN

\*Not supplied by BFM







## Passion HE & BF

### Conventional & Balanced Flue Gas Fires

Passion HE is a market leading gas fire with the authentic look and feel of a real log fire, designed with large frame wide-angle viewing, displaying lively ascending tall flames.

Combining efficiency and performance this fire is glass fronted with non-reflective glass that provides an astonishingly crystal-clear view of the fuel bed.

The conventional flue model interior is available in a choice of Deluxe white & stone grey, or glossy black enamel.

Our balanced flue model is a perfect solution for homes designed without a chimney or flue, and is available with a glossy black enamel interior.

For comfort and performance these fires are available with a fully automatic remote-control system. A slide control and a manual control system is also available with the conventional flue model.

Full accessory listings on page 70-71



CONVENTIONAL FLUE  
DELUXE WHITE & STONE GREY INTERIOR  
MM SIGNATURE FASCIA BLACK NICKEL & BLACK



BALANCED FLUE  
BLACK ENAMEL INTERIOR  
ULTIMO CHROME & BLACK TRIM  
BAUHAUS 151 CHROME FRET

#### SPECIFICATION

	CONVENTIONAL FLUE			BALANCED FLUE
	Natural Gas			
Control	Manual	Slide	Remote	Remote
Useful energy efficiency	81%	81%	81%	82.6%
Energy efficiency class	D	D	D	C
Direct heat output	3.1kW	3.0kW	3.1kW	2.4kW
Flue	Brick Chimney or pre-fabricated flue			Horizontal
Black Enamel	DLBLNRMN2	DLBLNRSN2	DLBLNRRN2	DLBFNRRNB
White & Stone Grey DLX Glass	DLBLNRMN2-NIWG	DLBLNRSN2-NIWG	DLBLNRRN2-NIWG	-





## Passion HE & BF

### Conventional & Balanced Flue Gas Fire Suites

Our Passion Suite combinations merge performance with luxury.

The fire provides non-reflective wide-angle viewing, showcasing superior log ceramics with bright tall flames set against a deep black enamel interior.

For maximum comfort and control we have fitted a fully automatic thermostatic remote control system, for warmth and relaxation at the touch of a button.

A Trim and Fret option, for those who enjoy a more traditional fire setting, couples the highly stylish Signature Trim, with the exclusive Bauhaus 151 Fret.

A one-piece contemporary fascia choice is available with the uniquely designed MM Signature Fascia to creating even more luxury aesthetics between the fascia and the flames.

Three popular colour finishes are available in Black Nickel, Chrome, and Brass.



CONVENTIONAL FLUE IN LIMESTONE  
CHROME SIGNATURE TRIM & BAUHAUS 151 FRET



BALANCED FLUE IN LIMESTONE  
BRASS SIGNATURE TRIM & BAUHAUS 151 FRET

#### SPECIFICATION

		CONVENTIONAL FLUE			BALANCED FLUE		
		Natural Gas					
Control		Remote			Remote		
Useful energy efficiency		81%			82.6%		
Energy efficiency class		D			C		
Direct heat output		3.1kW			2.4kW		
Flue		Brick Chimney or pre-fabricated flue			Horizontal		
Finish		Black Nickel	Chrome	Brass	Black Nickel	Chrome	Brass
Suite Model Number	Limestone & Black Granite	Fascia					
		DAGFBN	DAGFCH	DAGFBR			
		Trim & 151 Fret					
		DAGTBN	DAGTCH	DAGTBR			
Suite Model Number	Limestone	Fascia					
		DALFBN	DALFCH	DALFBR	DBLFBN	DBLFCH	DBLFBR
		Trim & 151 Fret					
		DALTBN	DALTCH	DALTBR	DBLTBN	DBLTCH	DBLTBR



BALANCED FLUE



CONVENTIONAL FLUE





## Passion HE & Balanced Flue Accessories

### Trims

#### STANDARD

Quality steel trims in a choice of four colours with a plated or painted finish.



Brass Chrome Satin Silver Matte Black

#### SIGNATURE

The Signature is a quality steel fabricated trim in a range of metallic and paint finishes.



Brass & Black Chrome & Black Satin Silver & Chrome Black Nickel & Chrome Black Nickel & Black

#### ULTIMO

The Ultimo is a cast iron trim with a black painted and optional colour plated finish.



Gold & Black Chrome & Black Black Nickel & Black

### Frets

#### BAUHAUS 18"



Gold Chrome Satin Silver Black Nickel Matte Black

#### BAUHAUS 151



Gold Chrome Black Nickel



ULTIMO TRIM WITH BAUHAUS 151 FRET

### Fascias

#### ULTIMO 007

For a contemporary style we offer the Ultimo 007 one-piece fascia in three metallic colours.



Gold & Black Chrome & Black Black Nickel & Black

#### MM SIGNATURE

The MM Signature is a one-piece fabricated steel fascia available in five colour choices.



Brass & Black Chrome & Black Satin Silver & Chrome Black Nickel & Chrome Black Nickel & Black

#### EMBRACE

The Embrace is a one-piece cast iron fascia in a combination of black painted with optional colour plated finish.



Gold & Black Chrome & Black Black Nickel & Black

#### PROVENCE\*

Provence fascia made from cast iron in a matt black finish.



Matte Black  
Available with or without authentic feature Grate Bar, Remote, and Slide control option.

#### ARCADIA

The Arcadia is a one-piece cast iron fascia in a combination of black painted with optional colour plated finish.

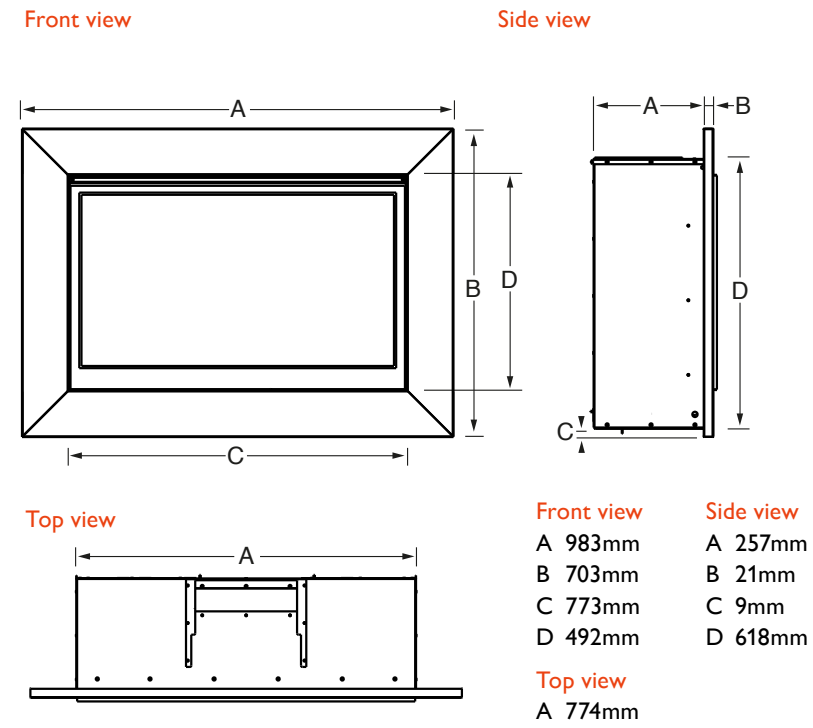


Black & Gold Black & Chrome

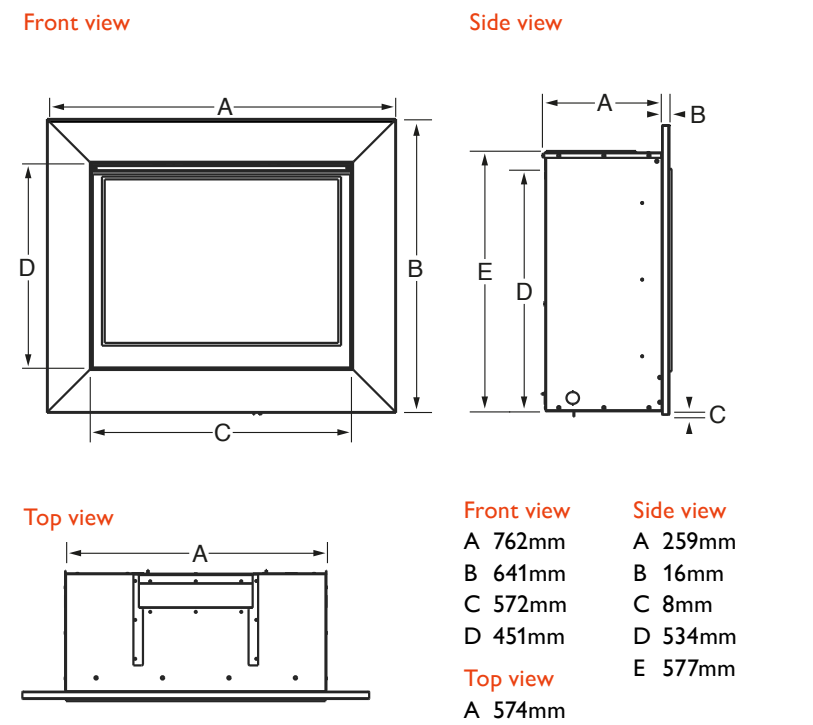


# Gas Fire Dimensions

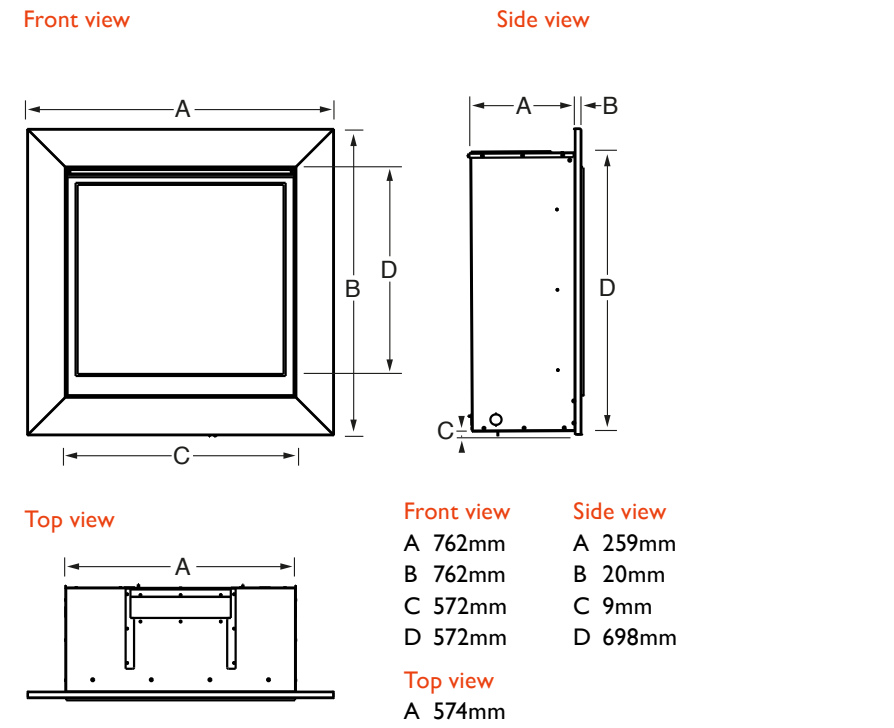
ALEESIA



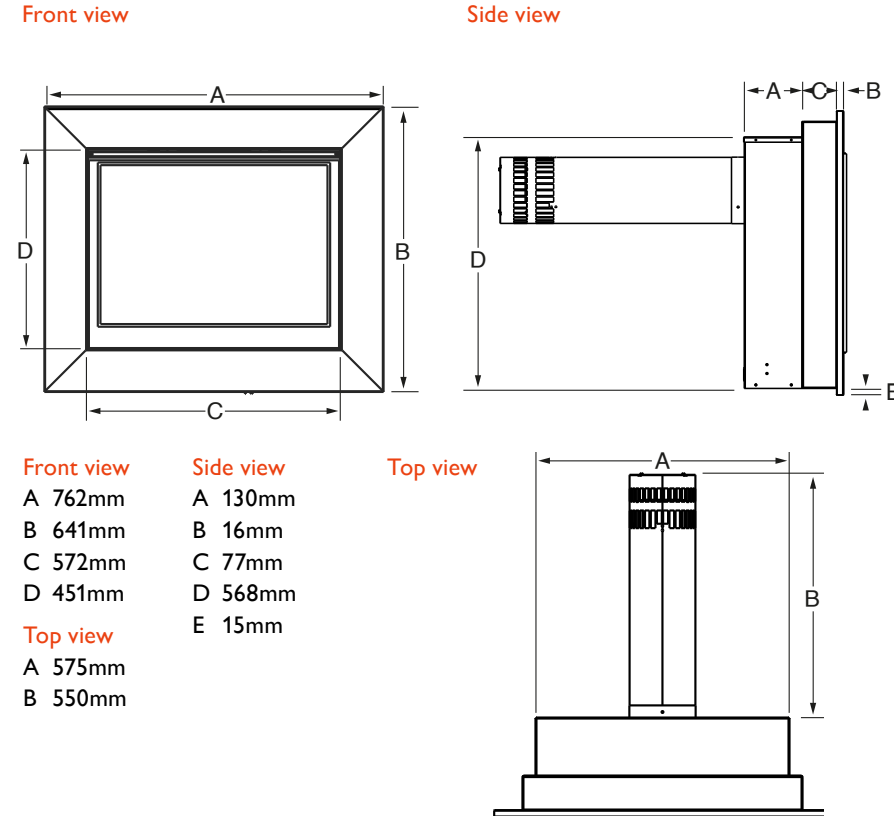
CELENA



ASENCIO

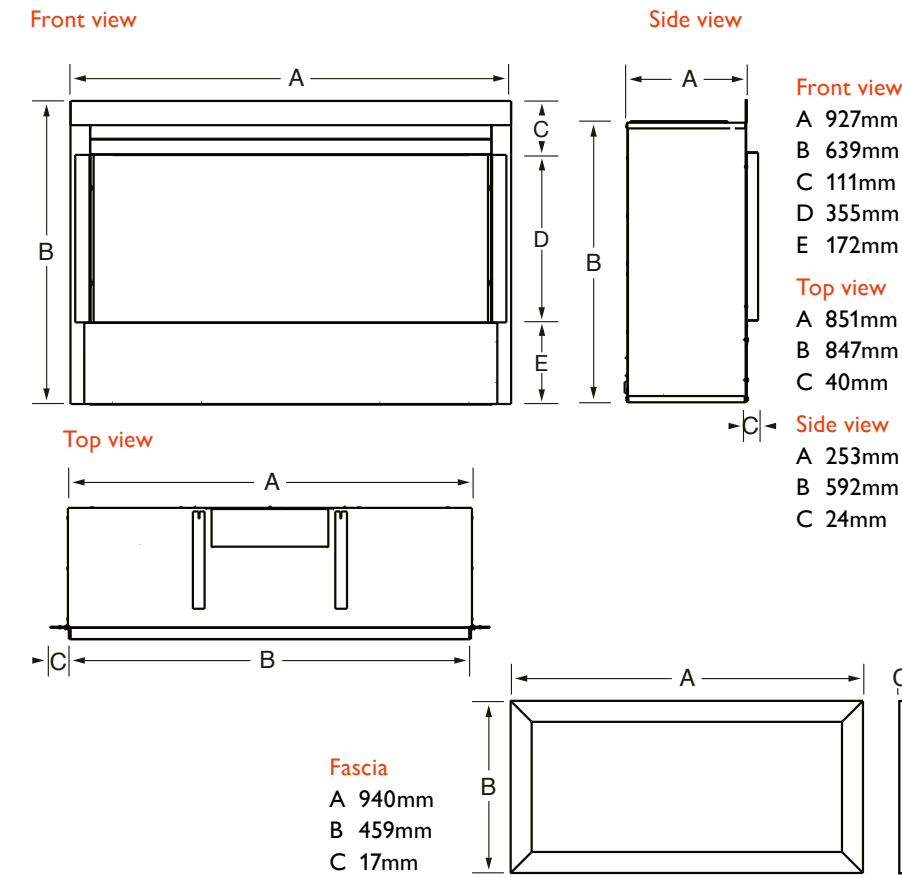


CELENA SLIMLINE BALANCED FLUE

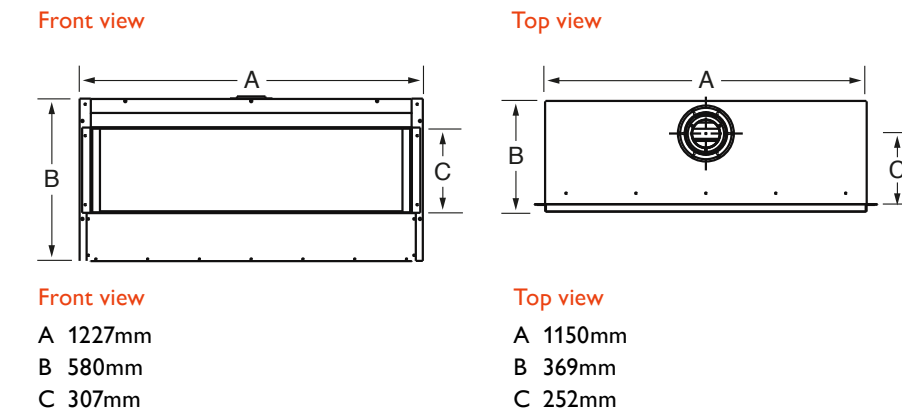


# Gas Fire Dimensions

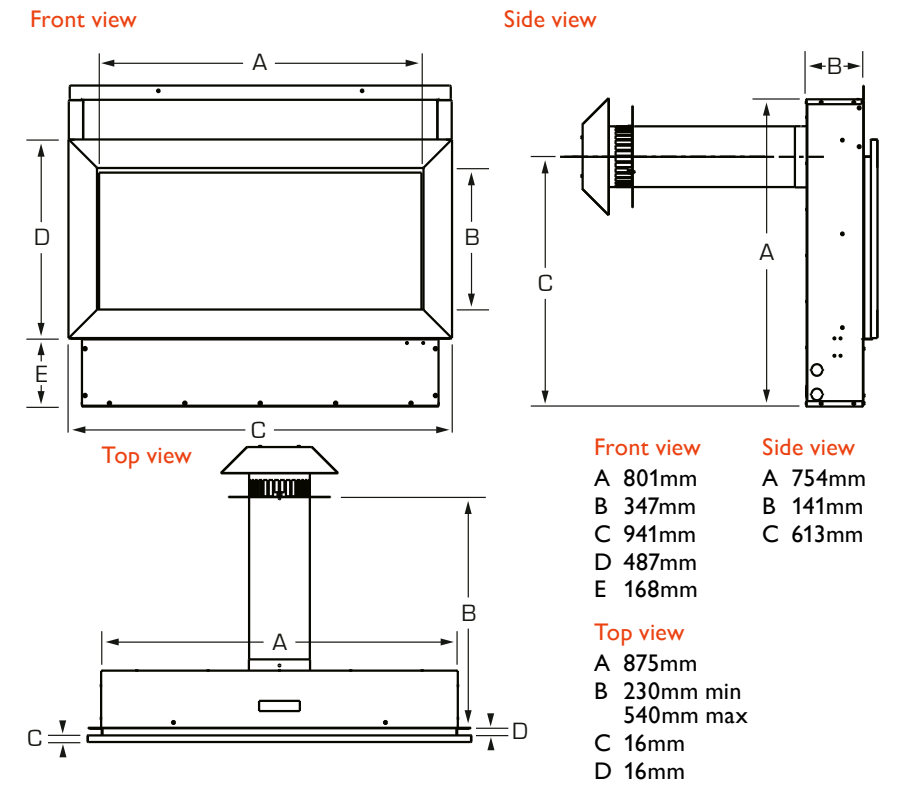
EDEN ELITE



CARMELO HE



EDEN ELITE SLIMLINE BALANCED FLUE

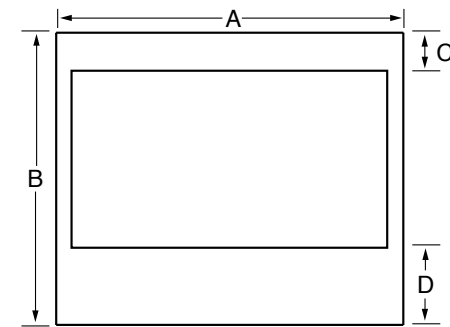




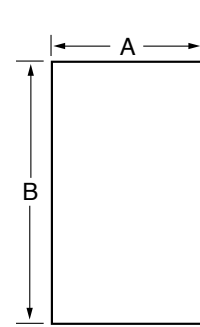
## Gas Fire Dimensions

EDEN HE

Front view

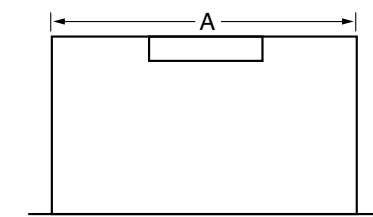


Side view



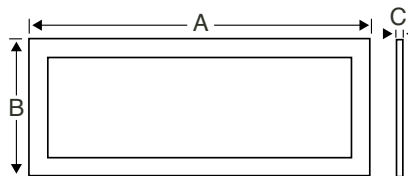
**Front view**  
 A 870mm  
 B 595mm  
 C 111mm  
 D 175mm  
**Top view**  
 A 795mm  
**Side view**  
 A 325mm  
 B 540mm

Top view



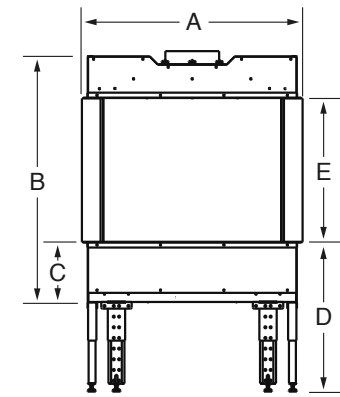
Slimline fascia

A 878mm  
 B 376mm  
 C 15mm

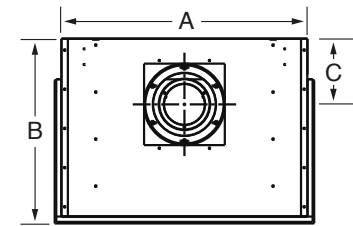


LUXE

Front view



Top view

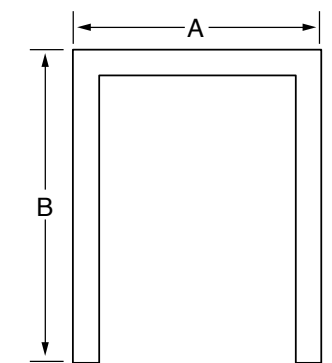


**Front view**  
 A 828mm  
 B 922mm  
 C 227mm  
 D 279-559mm  
 E 535mm

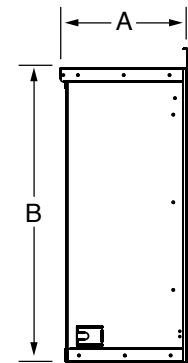
**Top view**  
 A 784mm  
 B 585mm  
 C 222mm

PASSION HE

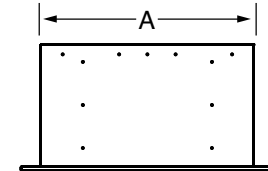
Front view



Side view

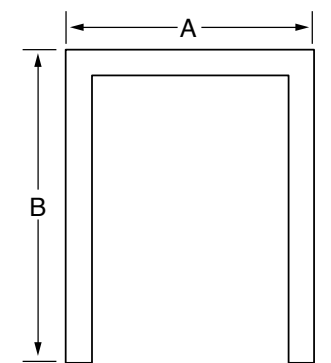


Top view

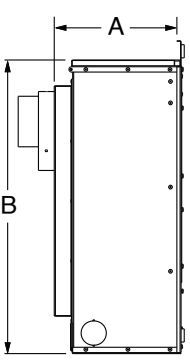


**Front view**  
 A 497mm  
 B 598mm  
**Top view**  
 A 400mm  
**Side view**  
 A 253mm  
 B 547mm

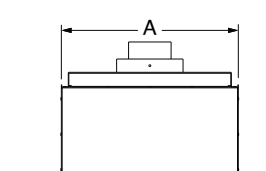
Front view



Side view



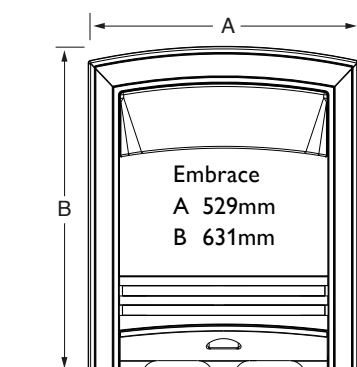
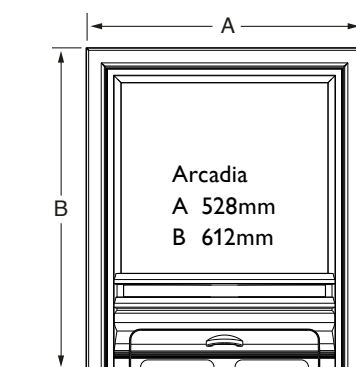
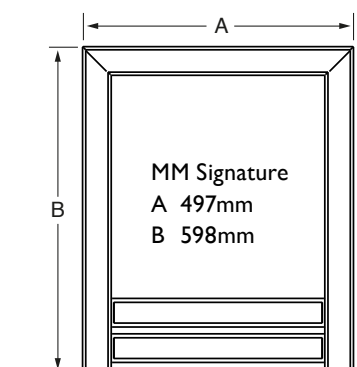
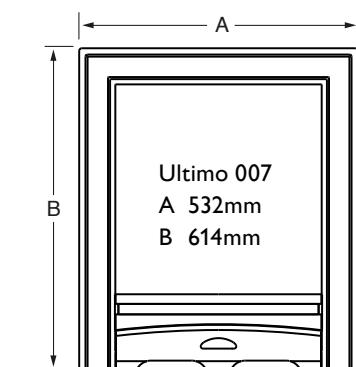
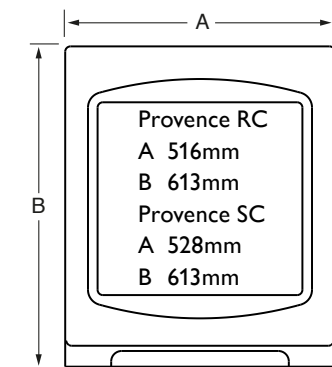
Top view



**Front view**  
 A 233mm  
 B 598mm  
**Top view**  
 A 400mm  
**Side view**  
 A 233mm  
 B 558mm

Front A & B refer to Standard trim only  
 Standard flue and terminal included 333mm Min - 661mm Max. Optional extended flue 1055mm Max  
 Optional spacer frame 50mm

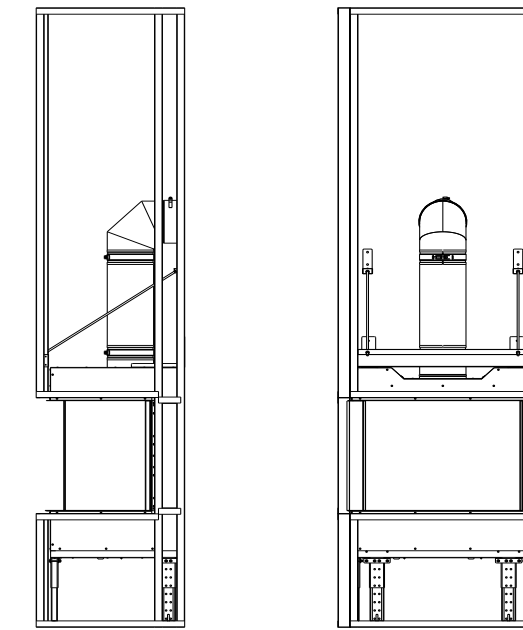
Fascias



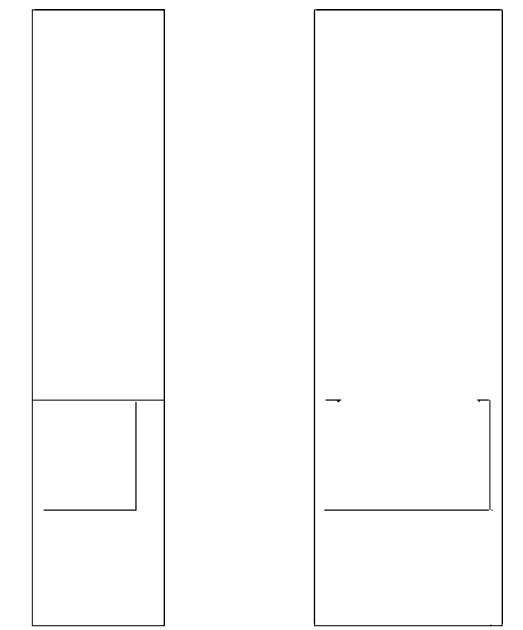
## Luxe Fire False Chimney Kit

A false chimney kit is available at an additional cost to simplify the installation of the Luxe gas fires. The false chimney kit consists of the metal studwork and screws required to create the false chimney structure. This can then be clad with the fitters' choice of high temperature board\*. We recommend a non combustible board such as Promat Supalux in a double 6mm thickness, giving an overall thickness of 12mm. Promat Supalux board is available from CCF Manchester. \* not supplied by BFM

FALSE CHIMNEY STUDWORK



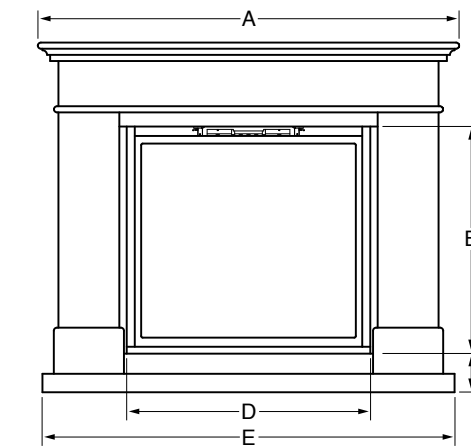
FINISHED FALSE CHIMNEY



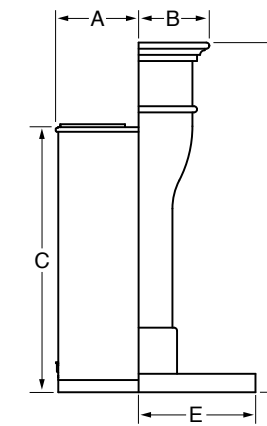
## Gas Suite Dimensions

DA VINCI ILLUMIA MD

Front view

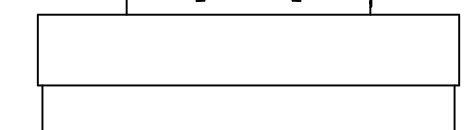


Side view



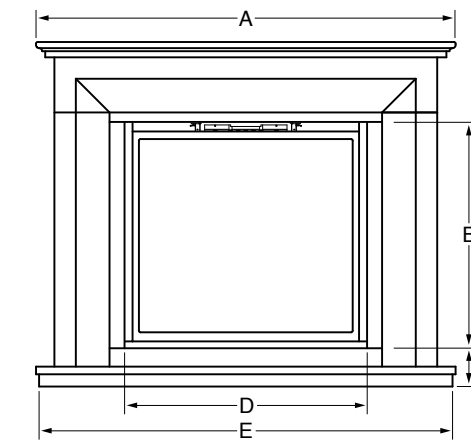
**Front view**  
 A 1370mm  
 B 739mm  
 C 126mm  
 D 792mm  
 E 1340mm  
**Top view**  
 A 790mm  
**Side view**  
 A 267mm  
 B 230mm  
 C 865mm  
 D 1137mm  
 E 380mm

Top view

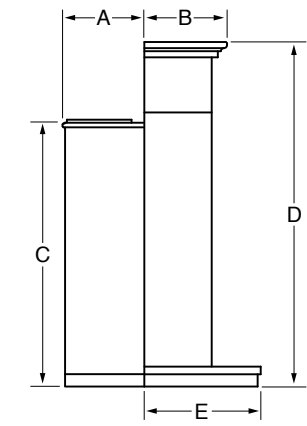


MONET ILLUMIA MD

Front view



Side view



**Front view**  
 A 1370mm  
 B 739mm  
 C 126mm  
 D 792mm  
 E 1370mm  
**Top view**  
 A 793mm  
**Side view**  
 A 267mm  
 B 270mm  
 C 865mm  
 D 1125mm  
 E 380mm

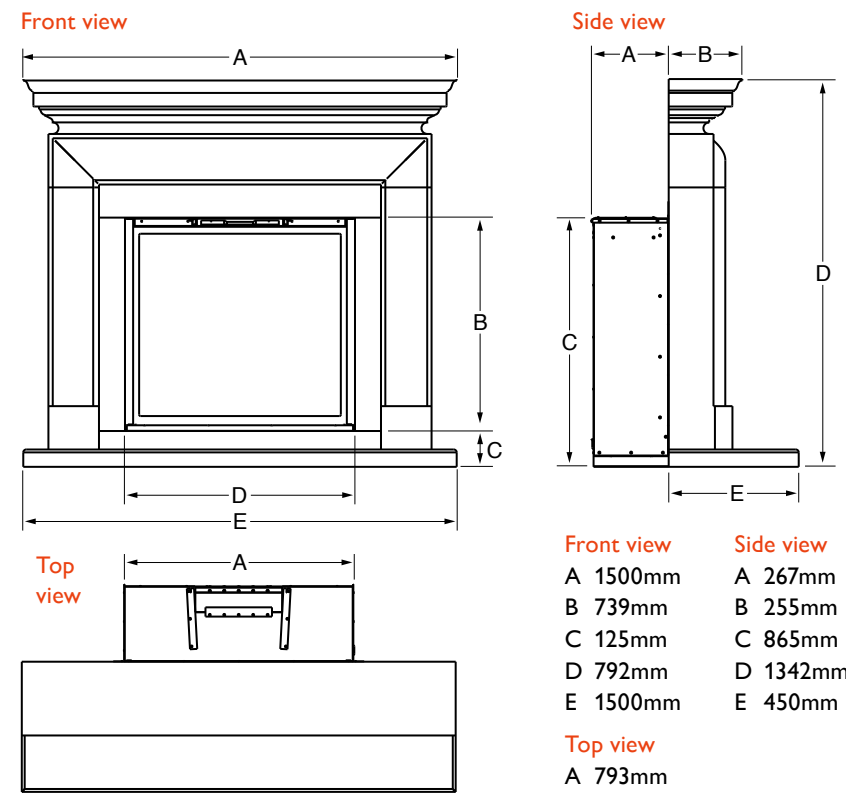
Top view



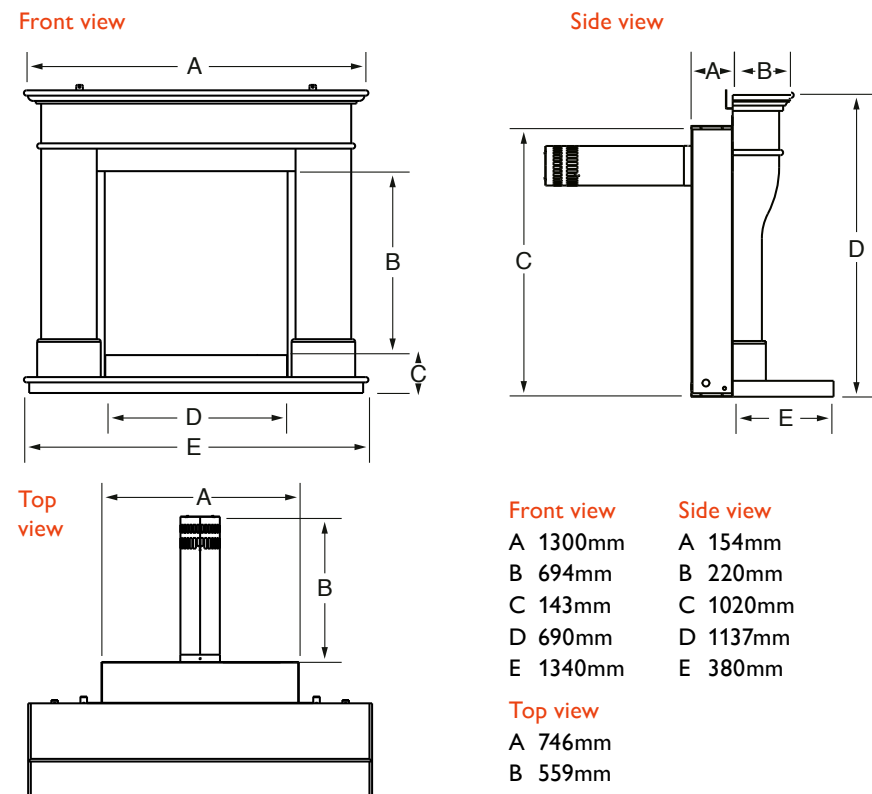


# Gas Suite Dimensions

GIULIANO ILLUMIA MD

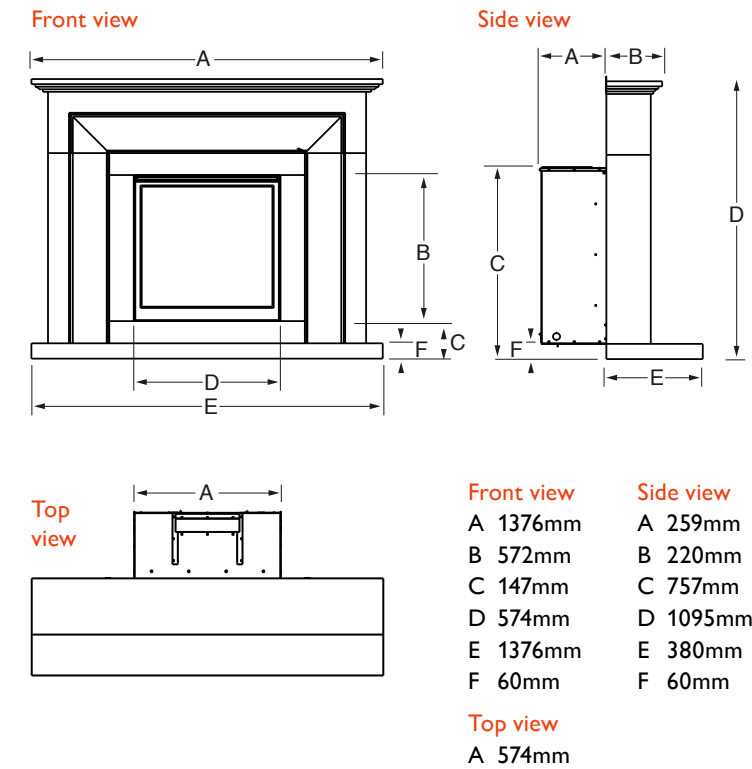


DA VINCI ILLUMIA SLIMLINE BALANCED FLUE

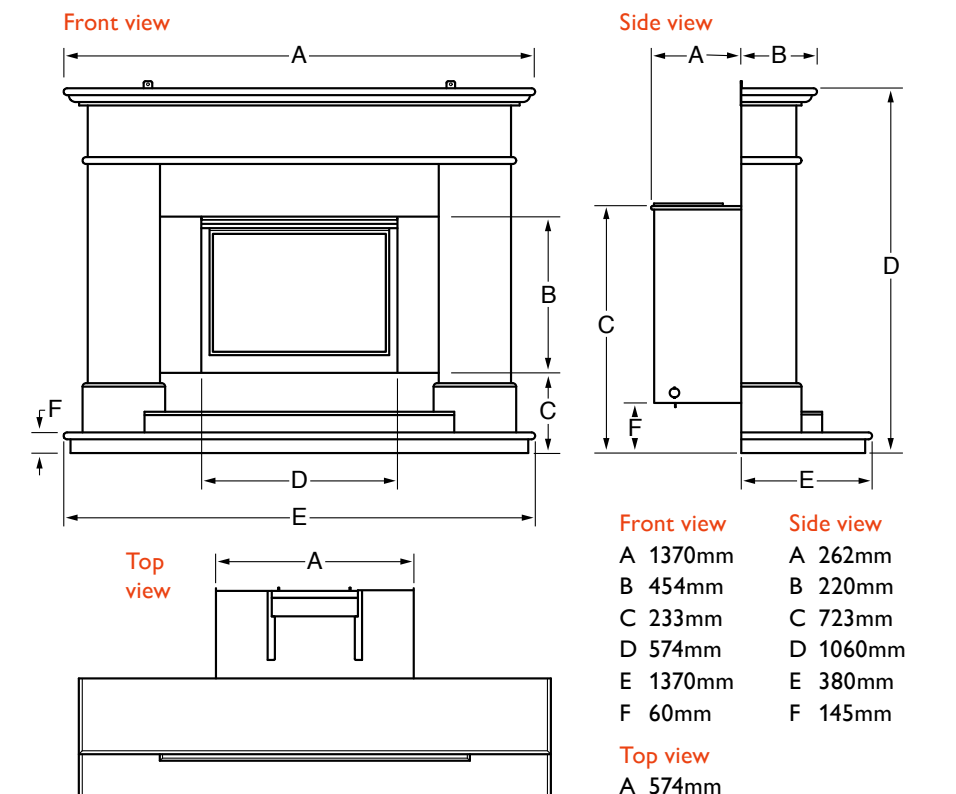


# Gas Suite Dimensions

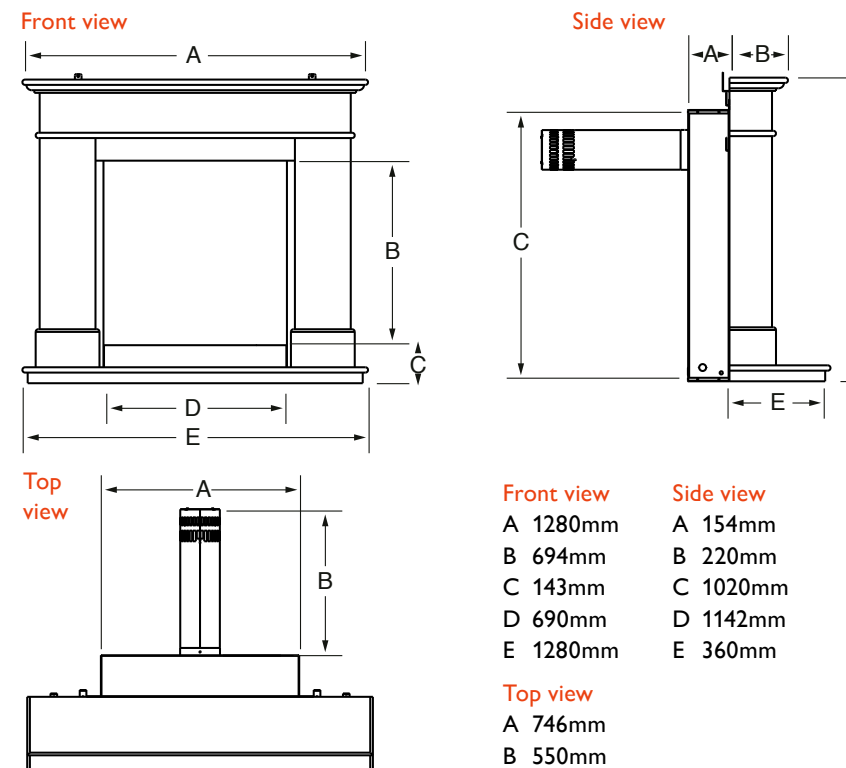
ASENCIO



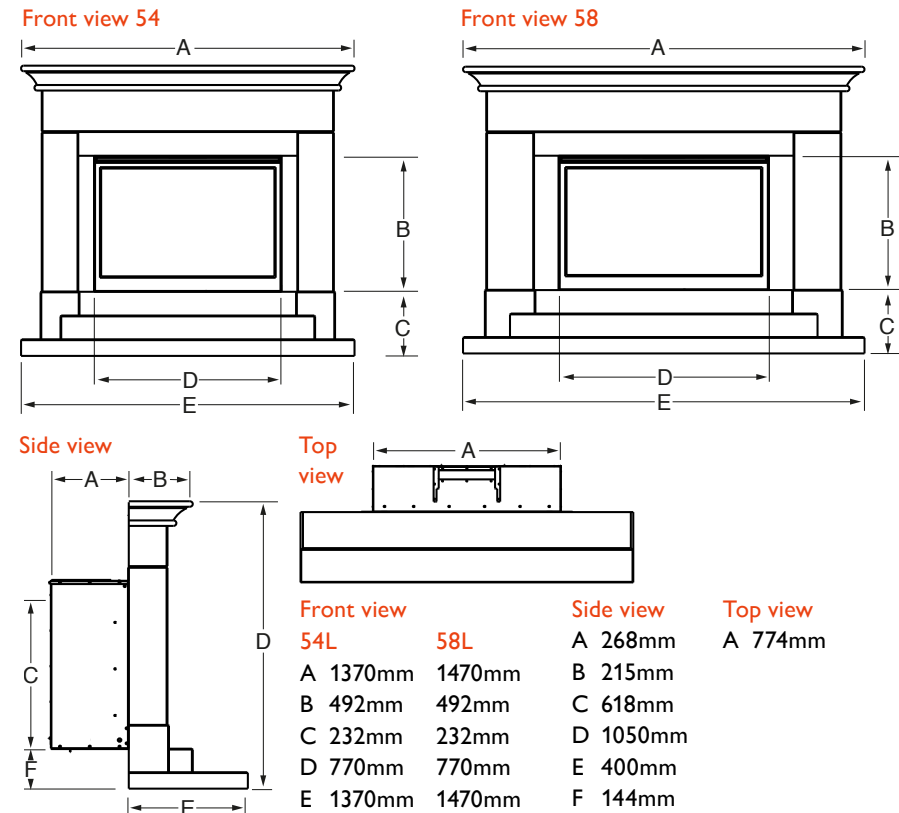
BOTICELLI CELENA



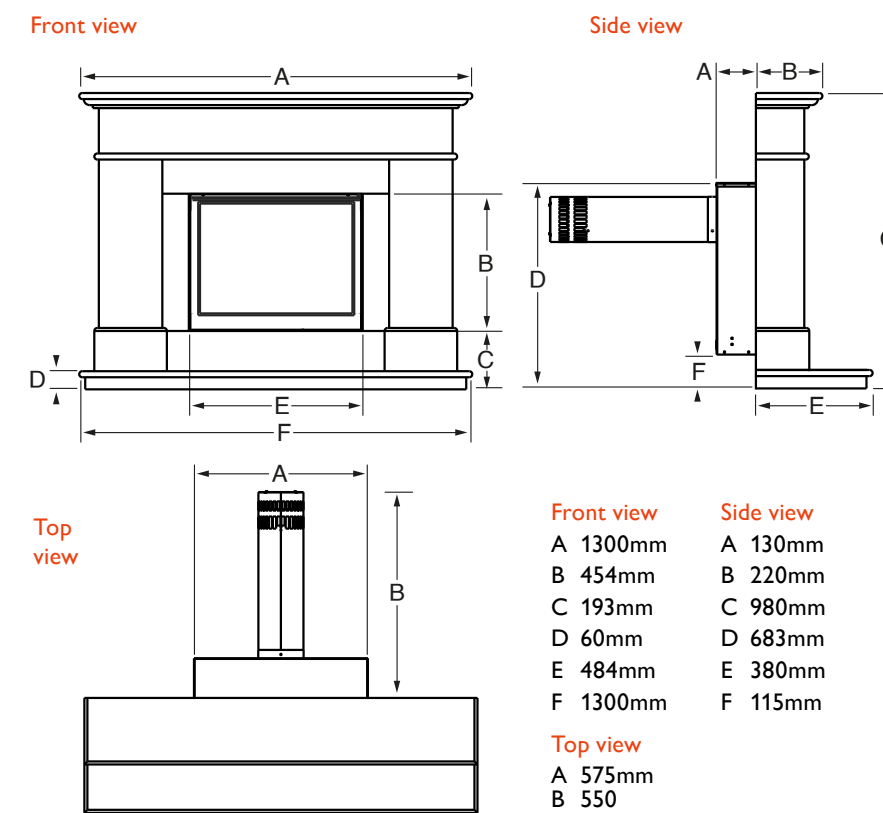
BOTICELLI ILLUMIA SLIMLINE BALANCED FLUE



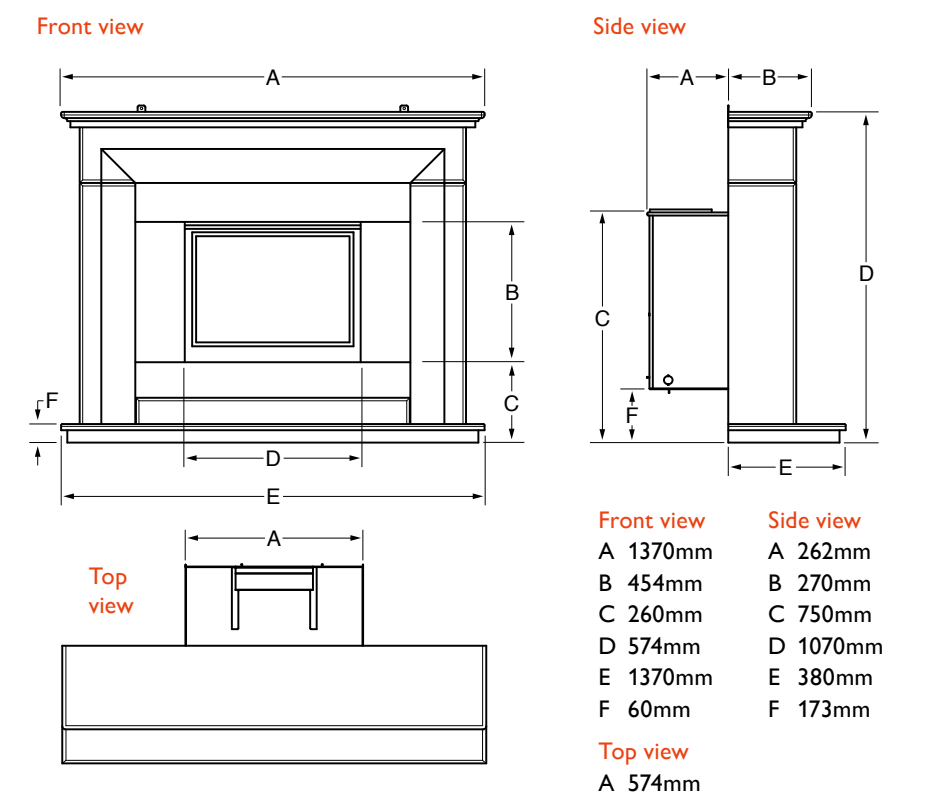
ALEESIA ILLUMIA 54 & 58



BOTICELLI CELENA SLIMLINE BALANCED FLUE



ANGELO CELENA

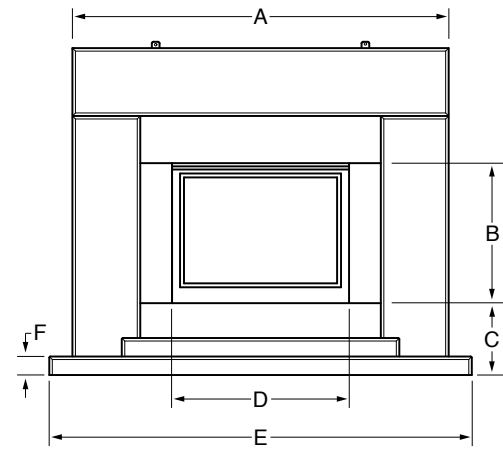




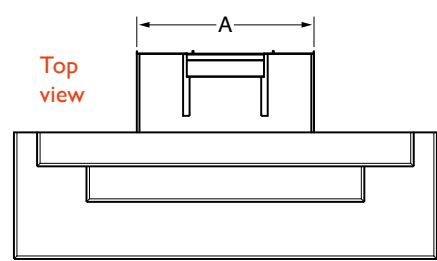
# Gas Suite Dimensions

PABLO CELENA

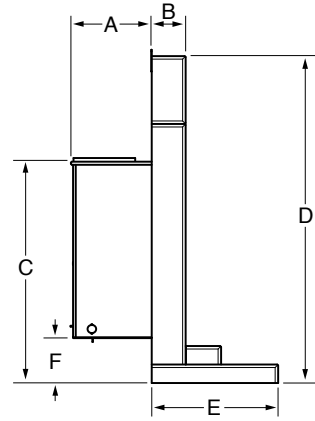
Front view



Top view



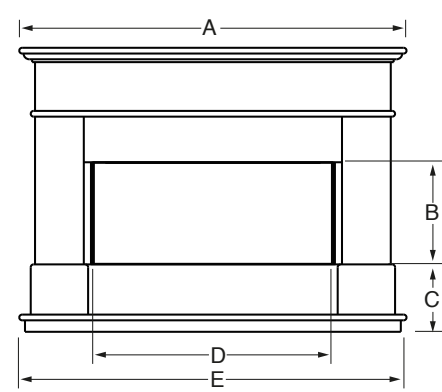
Side view



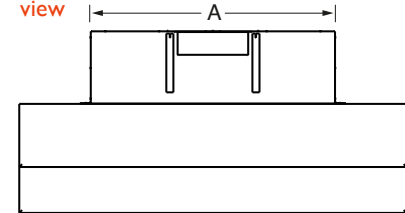
- |                   |                  |
|-------------------|------------------|
| <b>Front view</b> | <b>Side view</b> |
| A 1220mm          | A 262mm          |
| B 454mm           | B 110mm          |
| C 233mm           | C 723mm          |
| D 574mm           | D 1060mm         |
| E 1364mm          | E 410mm          |
| F 60mm            | F 145mm          |
| <b>Top view</b>   |                  |
| A 574mm           |                  |

AVIGNON EDEN ELITE 54 & 58

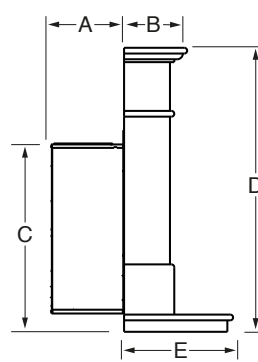
Front view



Top view



Side view

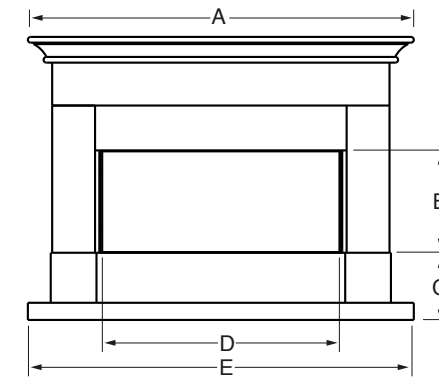


- |                  |                 |
|------------------|-----------------|
| <b>54"</b>       | <b>58"</b>      |
| A 1350mm         | 1464mm          |
| B 356mm          | 356mm           |
| C 235mm          | 235mm           |
| D 849mm          | 849mm           |
| E 1350mm         | 1464mm          |
| <b>Side view</b> | <b>Top view</b> |
| A 254mm          | A 851mm         |
| B 220mm          |                 |
| C 657mm          |                 |
| D 990mm          |                 |
| E 380mm          |                 |

# Gas Suite Dimensions

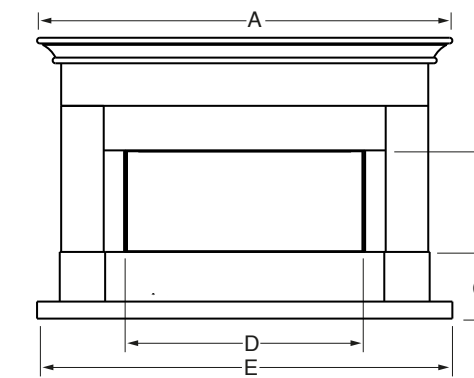
PARADA ELITE ILLUMIA 54L & 58L

Front view 54L



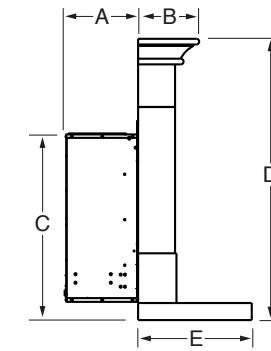
- Front view 54L**
- A 1350mm
  - B 358mm
  - C 235mm
  - D 849mm
  - E 1350mm

Front view 58L



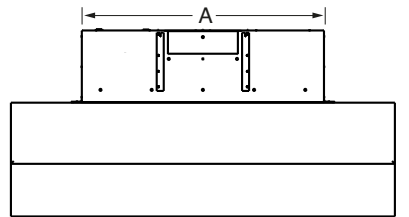
- 58L**
- A 1464mm
  - B 358mm
  - C 235mm
  - D 849mm
  - E 1464mm

Side view



- Side view**
- A 254mm
  - B 215mm
  - C 657mm
  - D 990mm
  - E 400mm

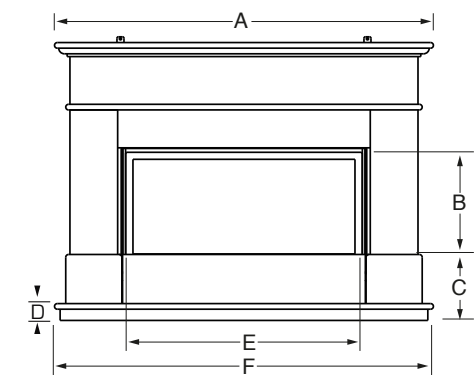
Top view



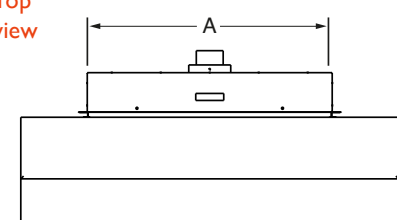
- Top view**
- A 851mm

AVIGNON EDEN ELITE SLIMLINE BALANCED FLUE 54 & 58

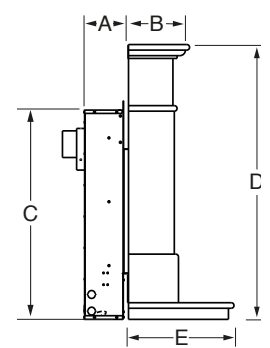
Front view



Top view



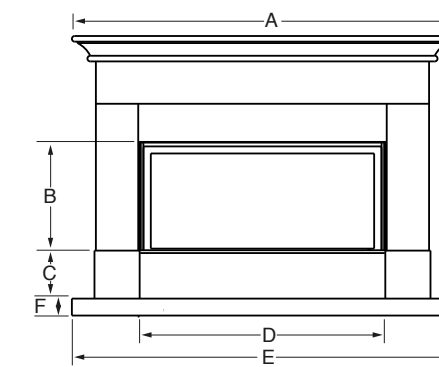
Side view



- |                  |                 |
|------------------|-----------------|
| <b>54"</b>       | <b>58"</b>      |
| A 1330mm         | 1464mm          |
| B 380mm          | 380mm           |
| C 175mm          | 175mm           |
| D 60mm           | 60mm            |
| E 870mm          | 870mm           |
| F 1330mm         | 1330mm          |
| <b>Side view</b> | <b>Top view</b> |
| A 158mm          | A 875mm         |
| B 220mm          |                 |
| C 990mm          |                 |
| D 754mm          |                 |
| E 380mm          |                 |

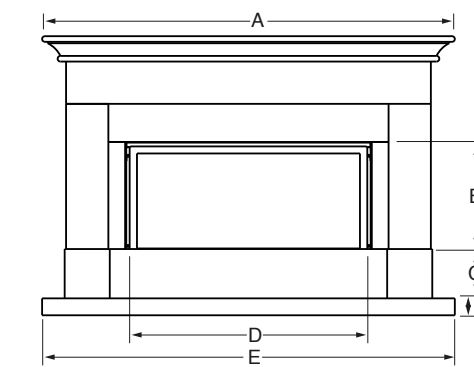
PARADA ELITE ILLUMIA SLIMLINE BALANCED FLUE 54L & 58L

Front view 54L



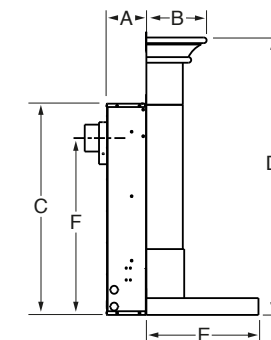
- Front view 54L**
- A 1350mm
  - B 380mm
  - C 175mm
  - D 861mm
  - E 1350mm
  - F 60mm

Front view 58L



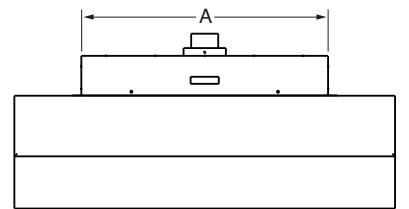
- 58L**
- A 1464mm
  - B 380mm
  - C 175mm
  - D 861mm
  - E 1464mm
  - F 60mm

Side view



- Side view**
- A 141mm
  - B 215mm
  - C 754mm
  - D 990mm
  - E 400mm
  - F 631mm

Top view



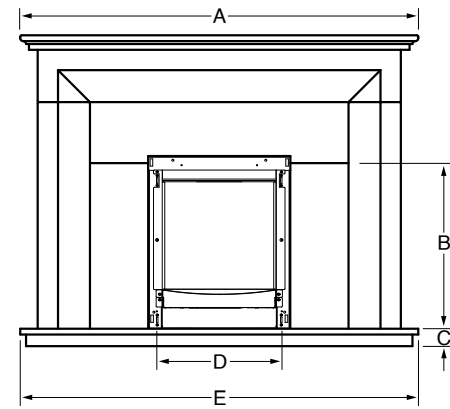
- Top view**
- A 875mm



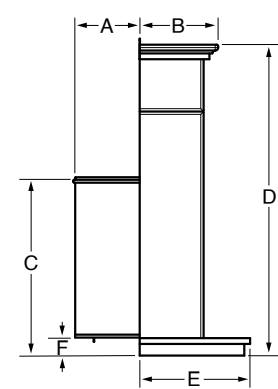
## Gas Suite Dimensions

### PASSION HE CONVENTIONAL FLUE

Front view

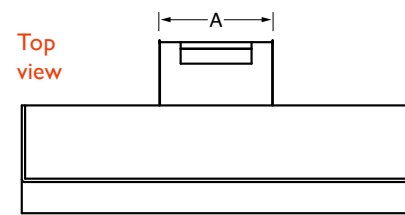


Side view



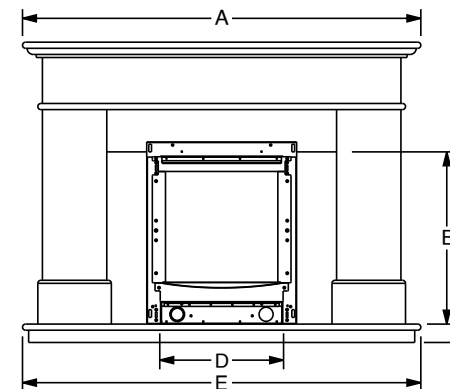
<b>Front view</b>	<b>Side view</b>
A 1370mm	A 225mm
B 570mm	B 270mm
C 60mm	C 607mm
D 420mm	D 1070mm
E 1370mm	E 380mm
	F 60mm
<b>Top view</b>	
A 400mm	

Top view

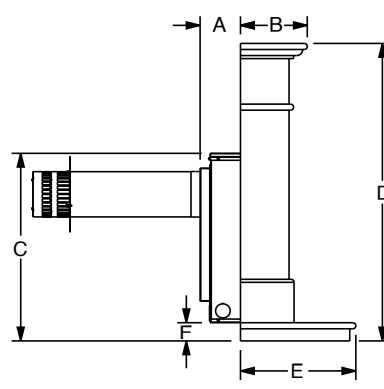


### PASSION BALANCED FLUE

Front view

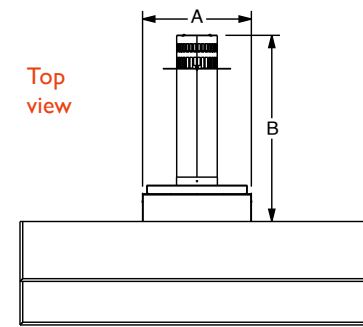


Side view



<b>Front view</b>	<b>Side view</b>
A 1300mm	A 133mm
B 562mm	B 220mm
C 60mm	C 618mm
D 404mm	D 980mm
E 1300mm	E 380mm
	F 60mm
<b>Top view</b>	
A 400mm	
B 684mm	

Top view

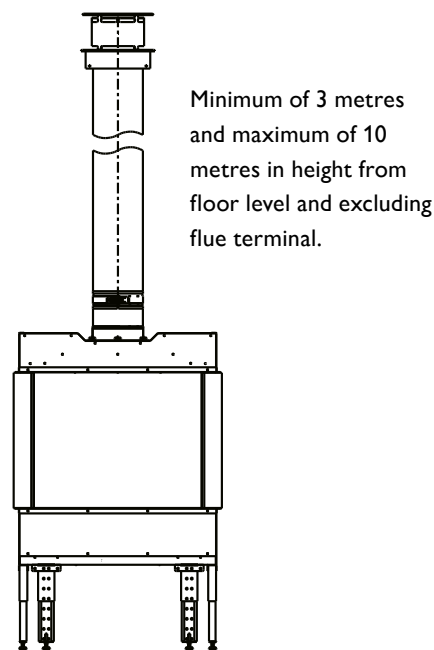


## Balanced Flue Installations

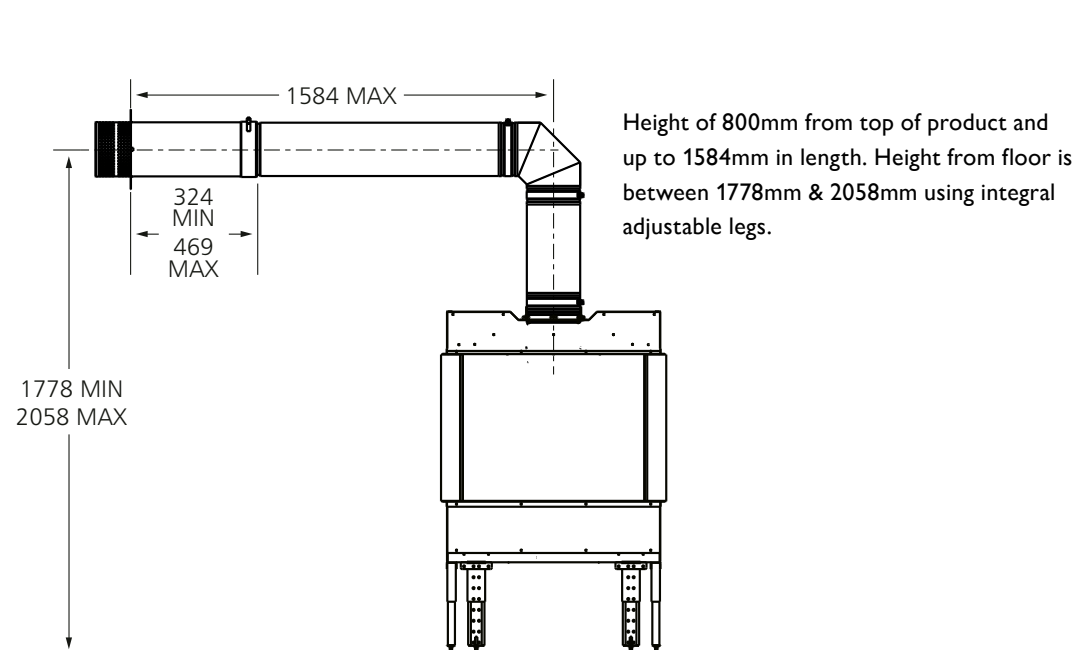
The following diagrams show our balanced flue installation possibilities for the Luxe gas fire. For more detailed information please refer to the product installation manual.

### LUXE

Vertical balanced flue installation



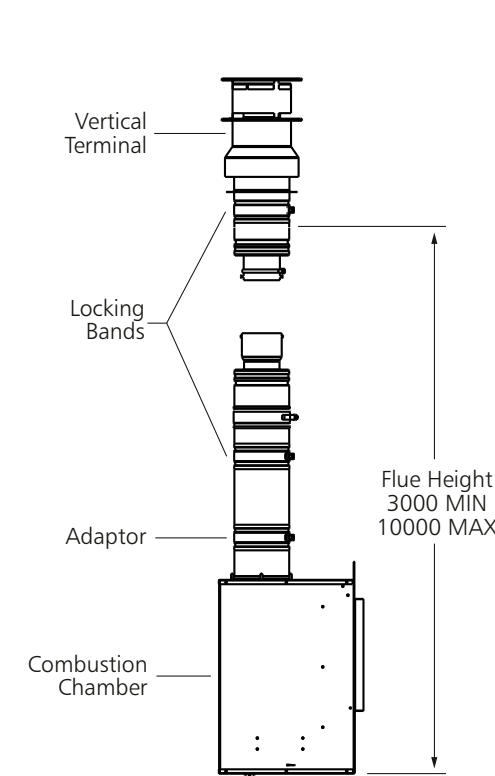
Horizontal balanced flue installation



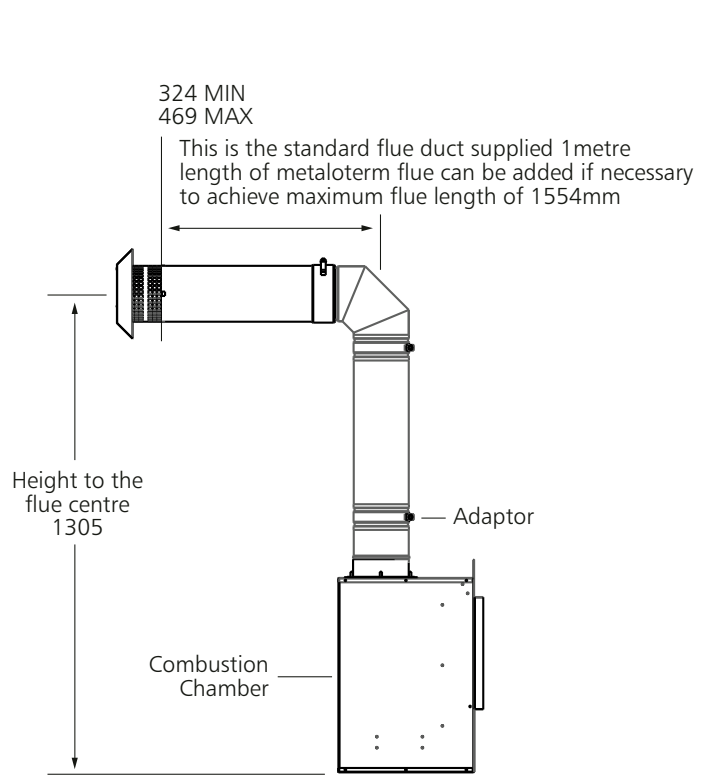
## Balanced Flue Installations

### CARMELO

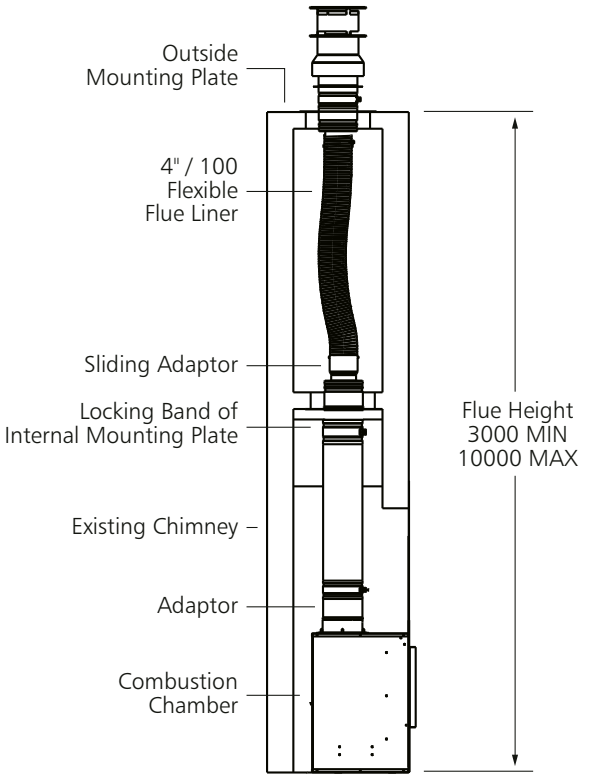
Vertical balanced flue installation



Horizontal balanced flue installation

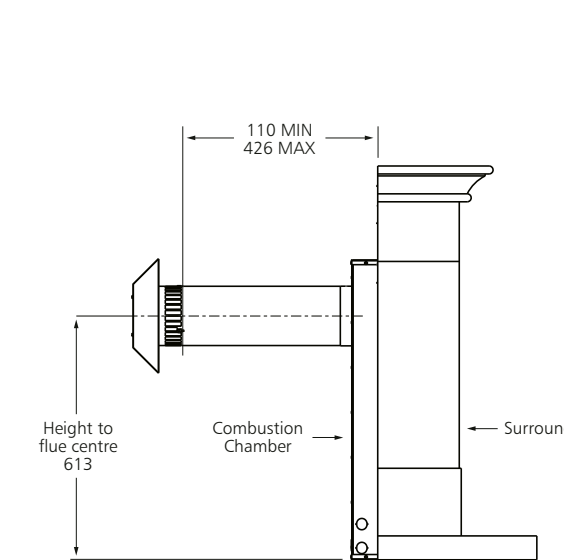


Chimney conversion balanced flue kit



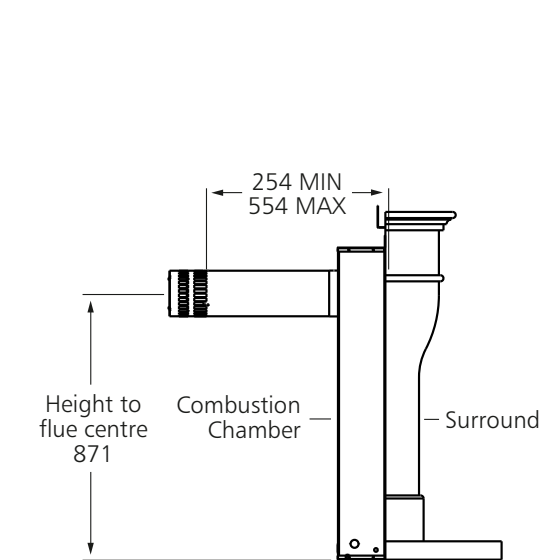
### PARADA ELITE ILLUMIA SLIMLINE

Horizontal balanced flue installation



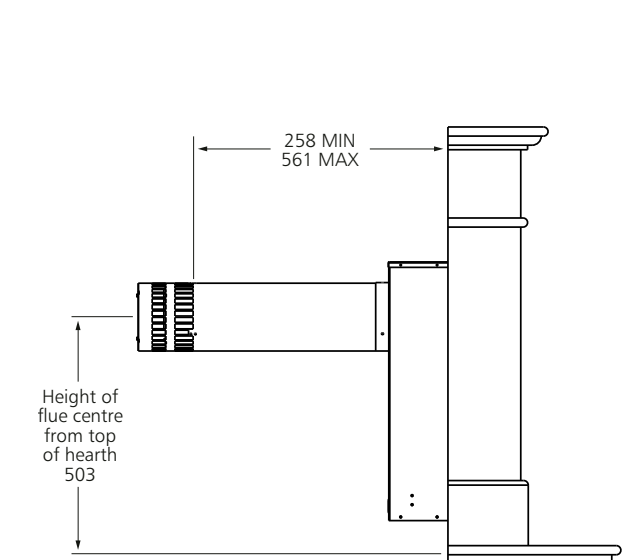
### BOTICELLI & DA VINCI ILLUMIA SLIMLINE

Horizontal balanced flue installation



### BOTICELLI CELENA SLIMLINE

Horizontal balanced flue installation

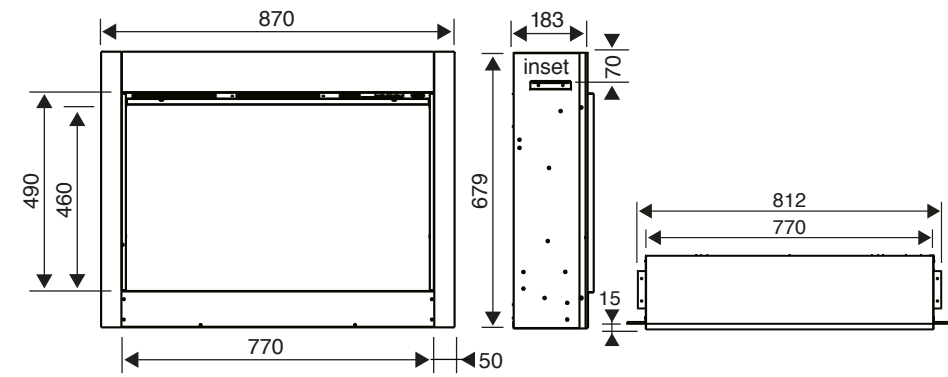


### Chimney conversion balanced flue kit

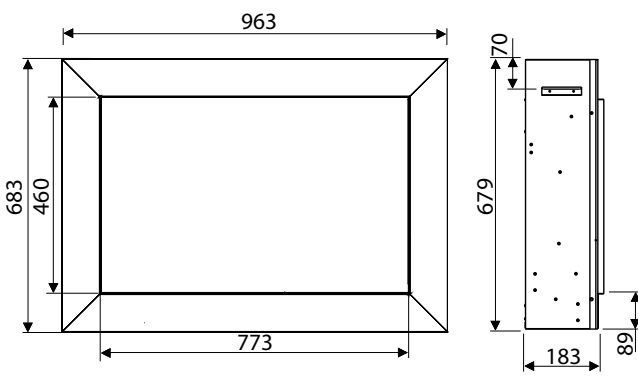
The existing chimney must have a minimum cross-sectional area of 22,500mm<sup>2</sup> to provide sufficient air flow to fit the chimney conversion kit.

## Electric Fire Dimensions

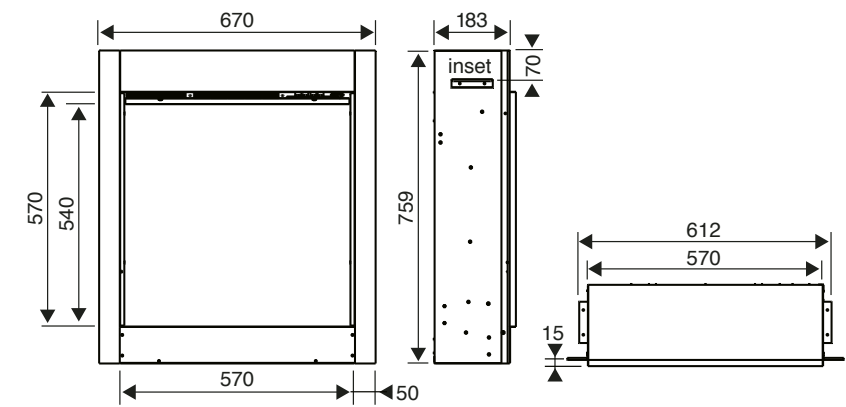
U-VR ALEESIA



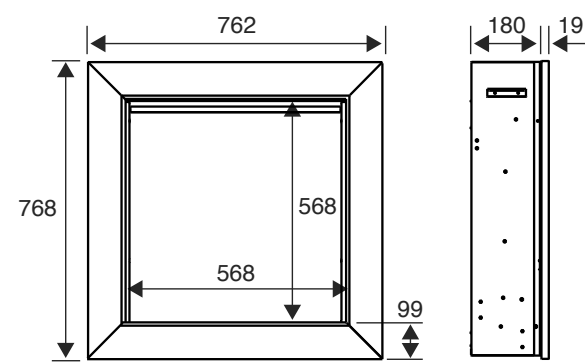
U-VR VADER ALEESIA



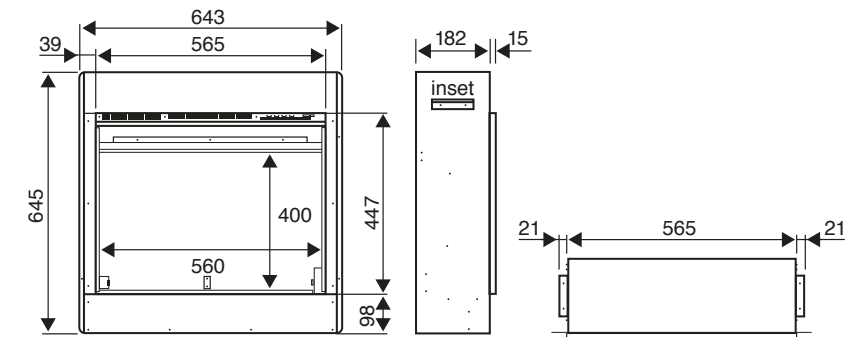
U-VR ASENCIO



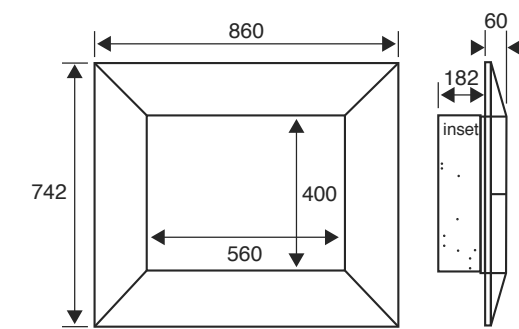
U-VR EVORA ASENCIO



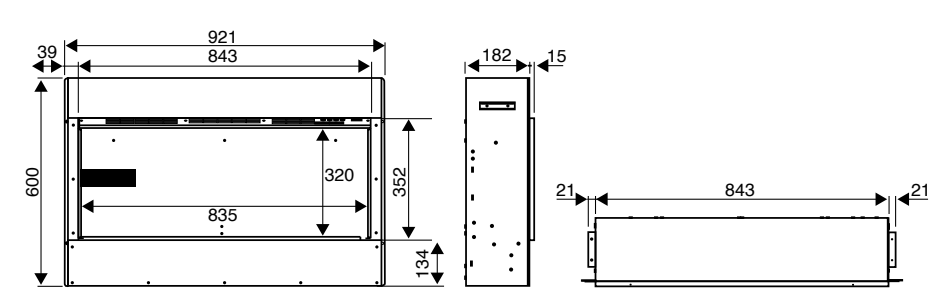
U-VR CELENA



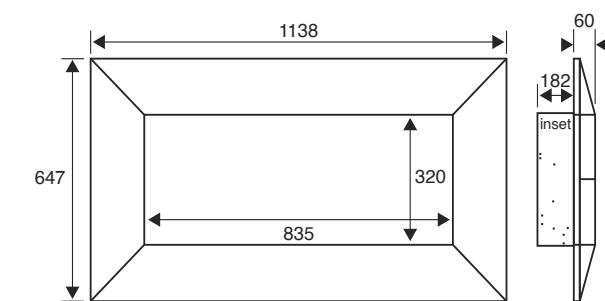
U-VR IMPULSE CELENA



U-VR ELITE

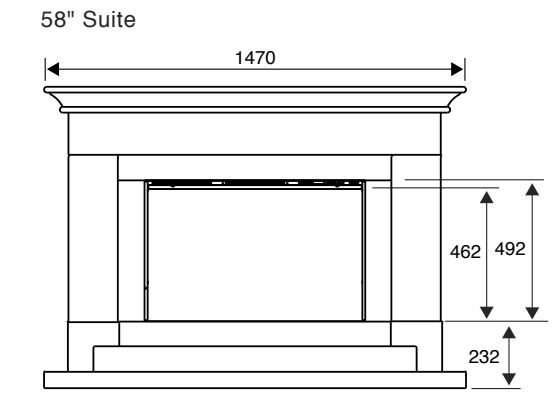
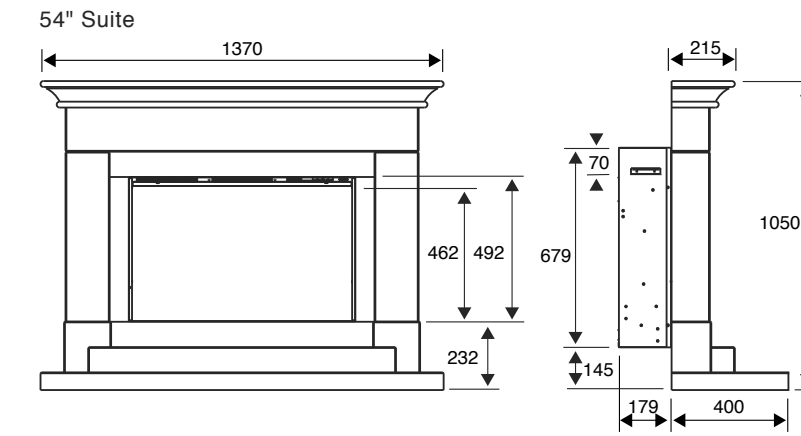


U-VR INSTINCT ELITE

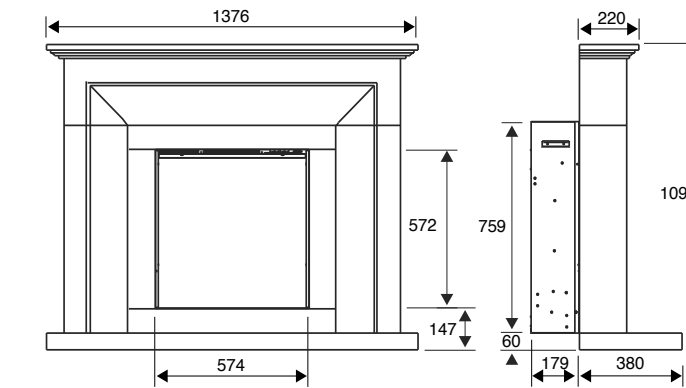


## Electric Suite Dimensions

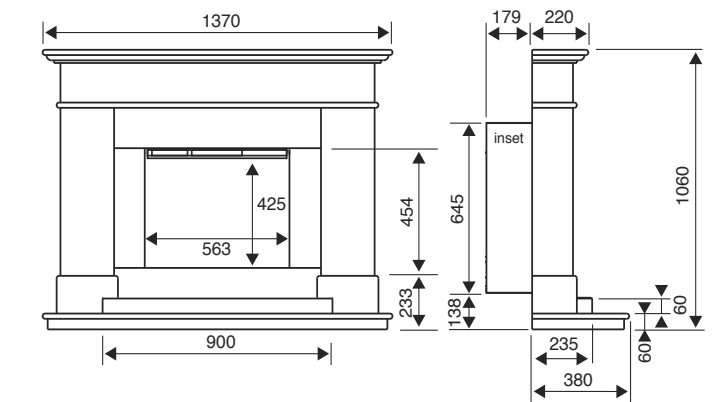
U-VR ALEESIA ILLUMIA



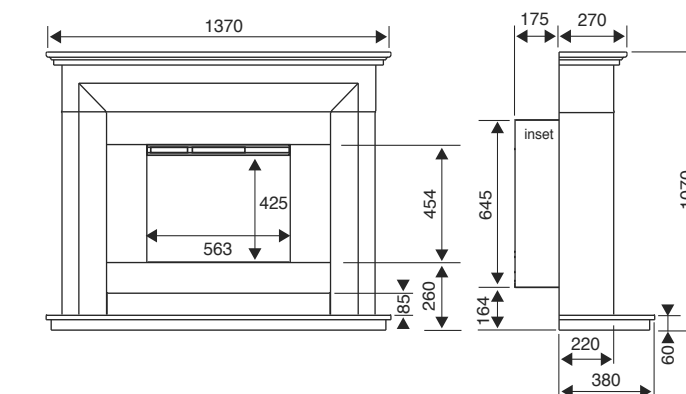
U-VR ASENCIO



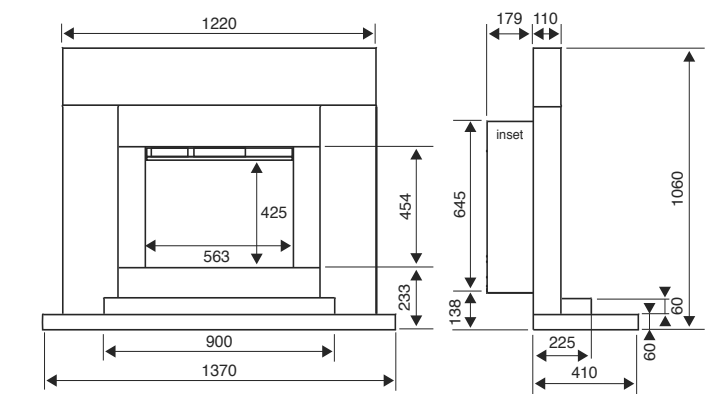
U-VR BOTICELLI



U-VR ANGELO



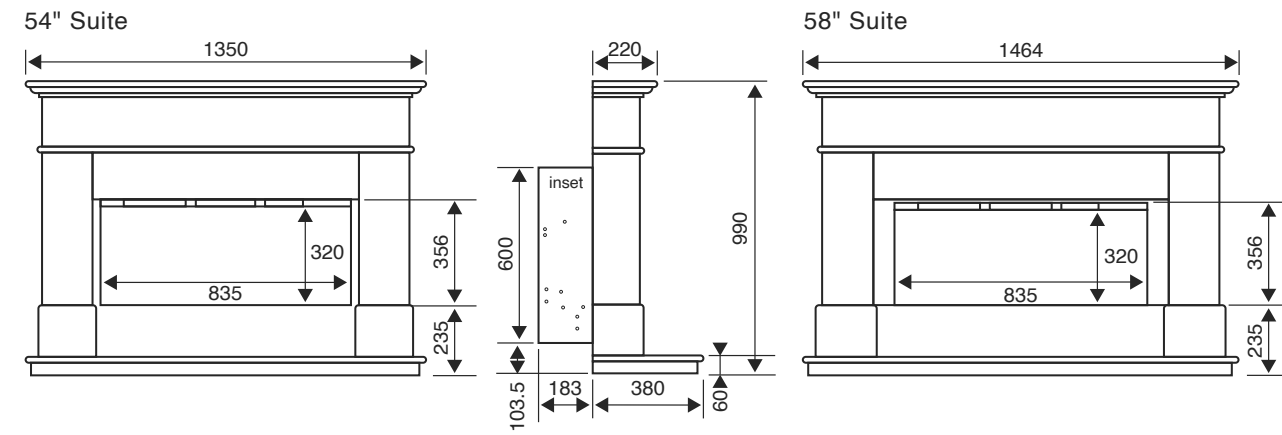
U-VR PABLO



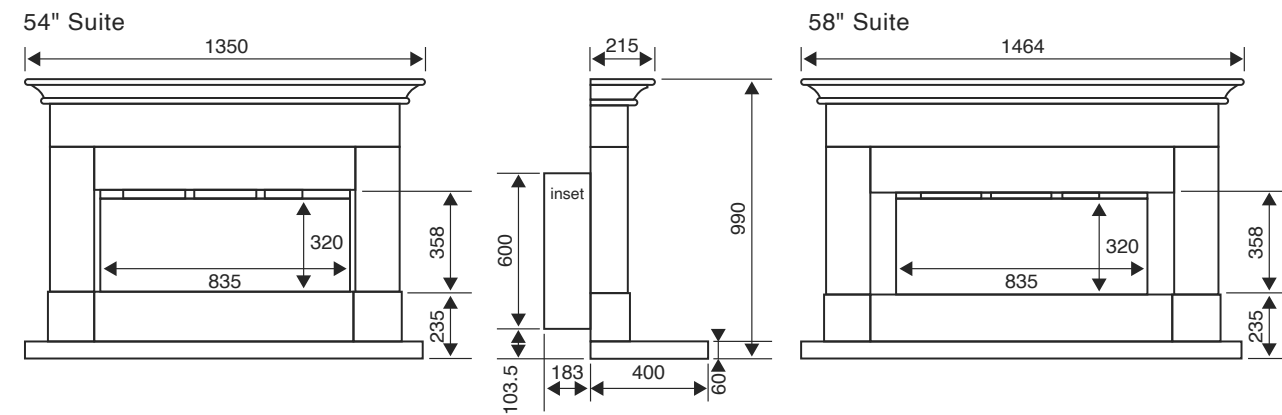


## Electric Suite Dimensions

### U-VR AVIGNON ELITE



### U-VR PARADA ELITE



## Online inspiration & information

Tap into a wealth of knowledge and discover everything you need to know about purchasing, fitting & servicing your fire.

Use our intelligent search tools to find your perfect fire

Find your nearest approved The Collection stockist

Download installation and user manuals

Register your guarantee

Watch videos of our stunning fires



[www.thecollectiongasfires.co.uk](http://www.thecollectiongasfires.co.uk)  
[www.celsielectricfires.co.uk](http://www.celsielectricfires.co.uk)

---

#### WARNING

BFM Europe Limited is a Gas Safe Registered company. We recommend that all of our fires are installed by Gas Safe Registered engineers in accordance with our instructions.

#### DISCLAIMER

Our policy is one of constant development and improvement. We therefore reserve the right to revise designs and specifications of our products without formal notice, patents pending. We always recommend our products be viewed in an approved showroom before purchase.

Whilst we have taken every care in the preparation of this brochure it is not intended to replace the installation manual which provides more detailed information.

Photography is for illustration purposes only and although every effort has been made to ensure accurate reproduction of typical installations and flame pictures they may vary according to fire model and flue types.

We accept no liability for any loss or damage arising directly or indirectly from the use of this brochure. We recommend that all our fires are used in conjunction with central heating and not as a primary source of heat. In the interests of personal safety a suitable fireguard is recommended when children, the elderly and the infirm are present.

This brochure is copyright 2022 and must not be reproduced in whole or in any part without prior written permission.



