

# INSTALLATION & USER INSTRUCTIONS

## ELECTRIC STOVE

# ekofires

Christchurch, Dorset BH23 2BT

Tel: 01202 588 638

Fax: 01202 499 639

www.ekofires.co.uk

e : sales@ekofires.co.uk

RBK House, Irishtown, Athlone, Co.

Westmeath, N37 XP52, Ireland Tel:

01202 588 638

Fax:01202 499 639

www.ekofires.co.uk.co.uk

e: sales@ekofires.co.uk.co.uk

### MODELS COVERED BY THESE INSTRUCTIONS

**1410 LED ELECTRIC STOVE**

**ND-18D1**

\*VARIOUS COLOURS AVAILABLE



**MODEL SHOWN: EKO 1410 LED ELECTRIC STOVE**

# 3 year guarantee

This product is only suitable for well insulated spaces or occasional use.

Please note : Except where otherwise stated, all rights, including copyright in the text, images and layout of this booklet is owned by Focal Point Fires Ltd. You are not permitted to copy or adapt any of the content without the prior written permission of Focal Point Fires Ltd.

**All instructions must be handed to the user for safekeeping.**

Revision A - 10/23

Section	Contents	Page No.	Section	Contents	Page No.
1.0	Important Notes	2	7.0	Safety Cut-Out System	5
2.0	Installation Requirements	3	8.0	Maintenance	5
3.0	Appliance Data	3	9.0	Cleaning	5
4.0	Unpacking the Appliance	4	10.0	Spares	5
5.0	Component Checklist	4	11.0	Servicing	5
6.0	Operating the Appliance	4	12.0	Appliance Dimensions	6
			13.0	Guarantee - Terms and Conditions	7

## I.0 IMPORTANT NOTES

### IMPORTANT - THESE INSTRUCTIONS SHOULD BE READ CAREFULLY AND RETAINED FOR FUTURE REFERENCE.

When using this electrical appliance, basic precautions should be followed to reduce the risk of fire, electric shock and injury to person, including the following:

- This heater must be used on an AC supply only and the voltage marked on the heater's rating label must correspond to the supply voltage.
- **DO NOT** switch the appliance on until it is properly installed as described in this manual.
- This appliance can be used by children aged from 8 years and above and persons with reduced physical, sensory or mental capabilities or lack of experience and knowledge if they have been given supervision or instruction concerning use of the appliance in a safe way and understand the hazards involved. Children shall not play with the appliance. Cleaning and user maintenance shall not be made by children without supervision.
- Children of less than 3 years should be kept away unless continuously supervised. Children aged from 3 years and less than 8 years shall only switch on/off the appliance provided that it has been placed or installed in its intended normal operating position and they have been given supervision or instruction concerning use of the appliance in a safe way and understand the hazards involved. Children aged from 3 years and less than 8 years shall not plug in, regulate and clean the appliance or perform user maintenance.
- **CAUTION:** Some parts of this product can become very hot and cause burns. Particular attention has to be given where children and vulnerable people are present.
- If the supply cord is damaged, it must be replaced by the manufacturer, its service agent or similarly qualified persons in order to avoid a hazard.
- The heater must not be located immediately below a socket-outlet.
- **DO NOT** use this heater in the immediate surroundings of a bath, a shower or a swimming pool.



- **WARNING:** In order to avoid overheating, do not cover the heater.
- **DO NOT** use this heater with a programmer, timer, separate remote-control system or any other device that switches the heater on automatically, since a fire risk exists if the heater is covered or positioned incorrectly.
- **CAUTION:** In order to avoid a hazard due to inadvertent resetting of the thermal cutout, this appliance must not be supplied through an external switching device, such as a timer, or connected to a circuit that is regularly switched on and off by the utility.
- Keep furniture, curtains and other fabric material away from the appliance.
- **DO NOT** leave the appliance unattended during use.
- From time to time, check the cord for damage. Never use the appliance if the cord or any part of the appliance shows signs of damage.

## 1.0 IMPORTANT NOTES - CONTINUED

GB IE

- **DO NOT** run the mains cable under carpets, rugs etc.
- **DO NOT** cover or obstruct the heater in any way. Overheating will result if it is accidentally covered.
- Never immerse the product in water or any other liquids.
- **DO NOT** use the appliance outdoors.
- Before cleaning the appliance, ensure it is unplugged from the power and that it is completely cool.
- **DO NOT** clean the appliance with abrasive chemicals.
- Never use accessories that are not recommended or supplied by the manufacturer. It could cause danger to the user or damage to the appliance.
- **DO NOT** insert or allow foreign objects to enter the inlet or outlet vents as this may result in electric shock, fire or damage to the appliance.
- **DO NOT** install the fire using an extension cord.
- Unplug from the mains supply if the appliance is not to be used for long periods.
- This product is only suitable for well insulated spaces or occasional use.

## 2.0 INSTALLATION REQUIREMENTS

The appliance is supplied with a pre-wired three pin BS1363 plug (13Amp fuse rated) and 1.6 metres of electrical flex. It is therefore necessary for a suitable electrical socket to be located within this distance of the appliance and be easily accessible. The stove may be installed on a combustible or non-combustible floor; however the heater outlet is underneath the stove and certain types of floor covering may be affected by the heat produced by the stove. The ability of the floor covering to withstand the heat produced by the stove should be ascertained before proceeding with the installation of the stove. If in doubt then the stove should be mounted on a non-combustible hearth or plinth which extends for at least 150mm in front of the stove. This appliance should be positioned on a firm level surface. If the stove is to be sited in a fire surround then the suitability of the surround for use with electrical heaters should be established with the fire surround manufacturer. If fitted into an open draught fireplace, it is advisable to block off the chimney to reduce the risk of draught through the stove which may cause the safety cut out system in the fan heater to operate.

## 3.0 APPLIANCE DATA

Supply Voltage and rating power : 220-240V AC 50Hz, 1650 - 1850W  
 Heating Elements : 2 x 900W  
 Location : Indoor use only

Fuse Rating : 13 Amp  
 Lighting : 2 x G9 25W bulb  
 Supply plug/cord : BS1363/1.6 metres length

Model		ND-18DI			
Item	Symbol	Value	Unit	Item	Unit
<b>Heat output</b>				<b>Types of heat input, for electric storage local space heaters only</b>	
Nominal heat output	$P_{nom}$	1.7	KW	Manual heat charge control with integrated thermostat	N/A
Minimum heat output (indicative)	$P_{min}$	0.85	KW	Manual heat charge control with room and/or outdoor temperature feedback	N/A
Maximum continuous heat output	$P_{max, c}$	1.7	KW	Electronic heat charge control with room and/or outdoor temperature feedback	N/A
<b>Auxiliary electricity consumption</b>				Fan assisted heat output	
At nominal heat output	$e_{lmax}$	0.0	KW	<b>Type of heat output/room temperature control</b>	
At minimum heat output	$e_{lmin}$	0.0	KW	Single stage heat output and no room temperature control	No
In standby mode	$e_{lSB}$	0.0	KW	Two or more manual stages no temperature control	No
				With mechanical thermostat room temperature control	Yes
				With electronic room temperature control	No
				Electronic room temperature control plus day timer	No
				Electronic room temperature control plus week timer	No

### 3.0 APPLIANCE DATA - CONTINUED

		Other control options	
		Room temperature control with presence detection	No
		Room temperature control with open window detection	No
		With distance control option	No
		With adaptive start control	No
		With working time limitation	No
		With black bulb sensor	No
Contact details	Focal Point Fires, Avon Trading Park, Christchurch Dorset, BH23 2BT		

### 4.0 UNPACKING THE APPLIANCE

Read **all** the instructions before continuing to unpack or install this appliance. Carefully lift the appliance from the carton. Check that the contents correlate with the component checklist below. Please dispose of all packaging with care at your local recycling centre.

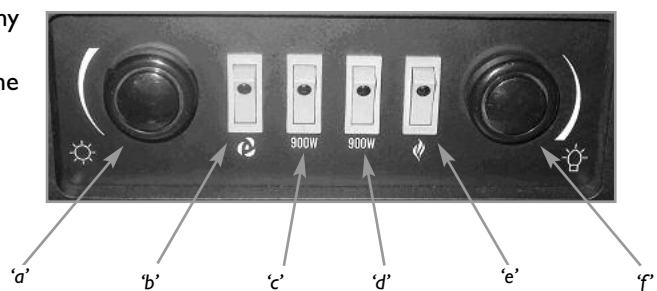
### 5.0 COMPONENT CHECKLIST

QUANTITY	DESCRIPTION
1	Stove and heater assembly
1	User instruction booklet

### 6.0 OPERATING THE APPLIANCE

Check that the fan outlet is not covered or obstructed in any way, and ensure the power to the fire is switched on. The appliance controls are concealed behind a panel on the front of the heater.

- 'a' Thermostat
- 'b' Fan (without heat)
- 'c' Heat 900W
- 'd' Heat 900W
- 'e' Flame effect on/off
- 'f' Flame effect dimmer



Switch 'e' turns on the flame effect. Knob 'f' controls the brightness of the flame effect. Turn knob 'f' until the desired effect is achieved.

Switch 'b' controls the fan function. The fan may be operated without heat, or without the flame effect. With the fan running, switch 'c' turns on heat setting 1 (900W), and switch 'd' controls heat setting 2 (1800W). The fan must be switched on for the heat settings to work. The fan and heating functions can be operated with or without the flame effect. The appliance is fitted with a thermostat. To adjust the thermostat, turn knob 'a' until the desired room temperature is achieved.

## 7.0 SAFETY CUTOUT SYSTEM

GB IE

This product has one non-self-resetting overheat protection device (thermal cut-out) which will activate if the air inlets or outlets are obstructed. For safety reasons the fire will NOT switch on again automatically, the following procedure must be carried out before the fire can be operated.

NOTE: The visual effect will remain operational if the cutout is activated, only the fan heater is prevented from working.

Switch OFF the appliance **at the wall socket or outlet**. Leave the fire OFF for a period of no less than 10 minutes, ensuring all obstructions are removed. Switch the appliance ON **at the wall**. Ensure the appliance is turned ON at the control switches. If the fire fails to operate correctly, repeat the above procedure. If an attempt to switch on the appliance is made before the safety cutout has reset, the appliance may cutout for a further period of time. If the sequence has been followed correctly and the appliance still fails to function, check the fuse in the wall outlet. If this is not the cause, call an electrician or maintenance engineer.

## 8.0 MAINTENANCE

### ALWAYS DISCONNECT THE APPLIANCE FROM THE MAINS SUPPLY BEFORE UNDERTAKING ANY MAINTENANCE.

Excluding lamps and fuses, use only genuine spare parts available from your supplier. Replacement lamps must be of the same wattage and specification as those stated in Section 3.0 Appliance Data.

#### Replacing the light bulbs.

- 1) Disconnect the appliance from the mains.
- 2) Open the door.
- 3) Remove the three screws at the front of the decorative fuel bed. Remove the fuel bed clamp.
- 4) Lift up the decorative fuel bed.
- 5) Two bulbs are located under the decorative fuel bed.
- 6) Unscrew and replace the bulb(s) using only G9 25W bulb.
- 7) Re-assembly is the reverse of removal.

## 9.0 CLEANING

There is no specific requirement for care of the fire other than a regular cleaning of the general appliance.

The decorative MDF casing is not removable for cleaning. A wipe with a dry cloth is normally sufficient. DO NOT use abrasive cleaners as they can damage the finish. Brass and silver parts of the fire may be cleaned using a appropriate metal polishes.

## 10.0 SPARES

Refer to Section 3.0 Appliance Data for lamp and fuse specification. Excluding lamps and fuses, use only genuine manufacturers spare parts available from your supplier.

## 11.0 SERVICING

#### There are no internal user serviceable parts.

Check regularly for security of wall fixings as appropriate. Also check security of supply cable and connections. If the supply cable becomes damaged, it must be replaced by a service agent or competent person, such as a qualified electrician.

This appliance is supplied with a BS1363 3 pin plug fitted with a 13 Amp fuse. Should the fuse require replacing, it must be replaced with a fuse rated at 13 Amp and approved to BS1362. In the event of the mains plug being removed/ replaced for any reason, please note : **IMPORTANT:** The wires in the mains lead are coloured in accordance with the following code:

Blue - Neutral

Brown - Live

Green/ Yellow - Earth

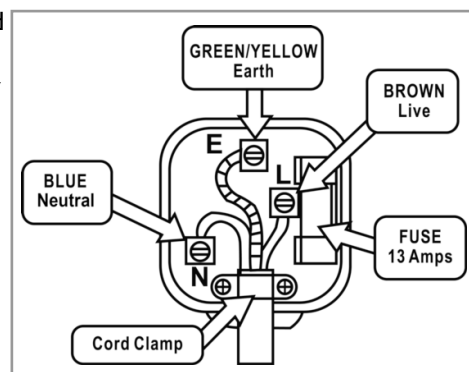
As the colours of the wires in the mains lead of this appliance may not correspond with the colour markings identifying the terminals in your plug, proceed as follows.

The blue wire must be connected to the terminal marked with an N or coloured black.

The brown wire must be connected to the terminal marked with an L or coloured red. The green/yellow wire must be connected to the earth terminal which is marked with an E or with the earth symbol. **WARNING:** Never connect live or neutral wires to the earth terminal of the plug.

NOTE: If a moulded plug is fitted and has to be removed take great care in disposing of the plug and severed cable, it must be destroyed to prevent engaging into a socket.

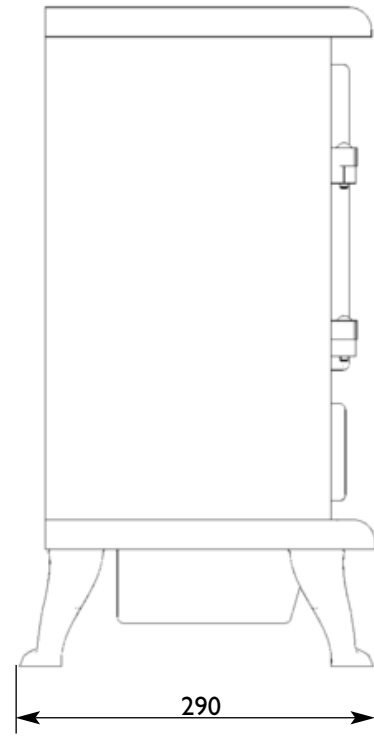
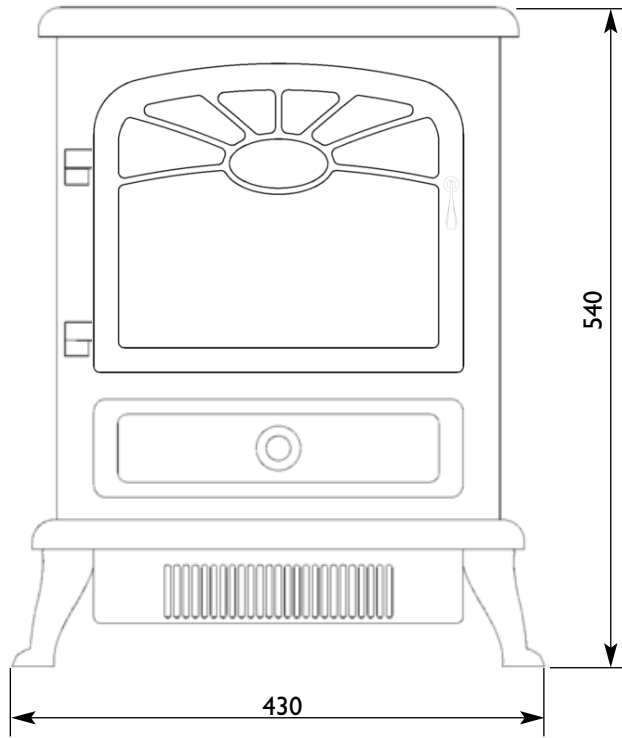
Refer to Section 3.0, Appliance Data for fuse specification. Excluding fuses, use only genuine manufacturers spare parts available from your supplier.



# 12.0 APPLIANCE DIMENSIONS



All dimensions in mm



Registration is not required.

The 3 year guarantee only covers products purchased on or after 1st February 2009. The 3 year guarantee commences from the date of purchase, provided that the following 3 terms and conditions are adhered to:

1. For any claim to be made within the 3 years from date of purchase you will be required to provide and supply us with your proof of purchase.
2. Your gas fire must have been commissioned by a Gas Safe registered installer, evidence of which you must provide together with the Gas Safe registration number.
3. Your appliance must have been serviced annually, irrespective of use, by a Gas Safe registered installer, evidence of which must be provided, such as the receipt.

Please note all consumable items such as any ceramics including coals, pebbles, matrix, front strips, panels and bulbs are not covered by the 3 year guarantee.

We reserve the right to reject any claim or make a charge for any visit where the cause of the defect is due to non-compliance with the installation and/or servicing instructions or misuse of the appliance.

If a repair is chargeable during the warranty period, we will inform you and where possible, provide a quote or price guide before starting work. We cannot always give a firm cost until we commence the repair as it is not always possible to identify which components have been damaged.

Repaired or replaced products are covered only for the remainder of the original guarantee period and the guarantee period will not be extended even if we repair or replace any product or part.

If we replace any component or product, the component or product removed will become our property.

We will not accept or reimburse the cost(s) of any third party who undertakes any work carried out on the product or fits parts, unless we have approved such work in advance of it being carried out.

The Manufacturer's guarantee does not apply to:

- Damaged caused by faulty installation, theft, tampering, neglect, misuse, normal wear and tear, accident, fire, flood, explosion, lightning, storms, frost or other bad weather conditions.
- Damage caused by the non-observance of the Manufacturer's Installation Instructions.
- Any unauthorised adjustments made to the product by a third party.
- Servicing and its associated costs.
- Self-maintenance tasks such as cleaning.

### **Making a claim:**

If you wish to make a claim under our guarantee and all the terms and conditions for your product have been met then please submit the following information for the attention of the 3G Service Department to the address below. Alternatively, you can email or fax. EKO Fires, 3G Service Department, Reid Street, Christchurch, Dorset, BH23 2BT.

Email: [service@ekofires.co.uk](mailto:service@ekofires.co.uk) Fax: 01202 499326. Please note that this does not affect your statutory rights. Details required:


- Name, full address (including post code) and contact telephone numbers.
- Receipt of purchase or credit card statement.



This product complies with conformity requirements of the applicable European Regulations or Directives.



This product complies with conformity requirements of the applicable UK Regulations.

 Waste electrical products should not be disposed of with household waste. Please recycle where facilities exist. Check with your local authority or retailer for recycling advice. As our policy is one of continuous improvement and development, we therefore hope that you will understand we must retain the right to amend details and/or specifications without prior notice.