



TURNING WARMTH
INTO SOMETHING
EXTRAORDINARY



Welcome

AT THE HEART OF EVERY HOME IS A SOURCE OF WARMTH AND AT **ENYA FLAME**, WE ELEVATE THAT WARMTH INTO SOMETHING EXTRAORDINARY.

We are a premium British manufacturer specialising in beautifully crafted electric media fires and multi-fuel stoves, designed for homeowners who expect more from their heating, more style, more performance, more innovation.

With years of industry expertise, we are proud to supply the UK fireplace market with products that combine cutting-edge technology, exceptional build quality, and timeless design. Every model we create reflects our core principles - efficiency you can depend on, performance you can feel, and style that transforms any space.

From contemporary electric media fires that become the focal point of modern living, to high-output multi-fuel stoves engineered for efficient heat, our collection is built to inspire. Each fire is developed with precision, tested to the highest standards, and crafted to bring comfort, atmosphere, and lasting value to every home.

Thank you for choosing to explore our latest range. We are proud to share our passion for outstanding design and dependable warmth, crafted for homes across the UK.





Standard



Real Wood Option



“The tailored fuel bed adds to the realism, supplied with lifelike logs and the option to upgrade to real logs for an even more authentic appearance. Additional LED mood lighting can be connected to enhance feature walls and create a complete atmospheric experience.”

The Enya Flame EF1250D, EF1500D, and EF1800D Deep Format 3D Electric Media Fires



The Enya Flame Deep Format 3D Electric Fires offer a new level of ambience and contemporary style to any room. Their deep format design creates maximum visual impact, showcasing a striking and immersive flame display that becomes a true focal point in your living space.

Features include advanced 3D flame technology with variable flame effects and sixteen colour options, allowing you to tailor the look to suit your mood or décor. The tailored fuel bed adds realism, supplied with lifelike logs and the option to upgrade to real logs for an even more authentic appearance. Additional LED mood lighting can be connected to enhance feature walls and create a complete atmospheric experience.

Operation is simple and smart, with an intuitive remote control and the option to manage your fire through a dedicated smartphone app.

A seven-day digital timer, adaptive start function, and draft detection ensure comfort, convenience, and energy efficiency. Enya Flame Deep Format 3D Fires are fully Eco Design compliant and offer up to 2kW of heat, along with a flame only setting for enjoying the ambience all year round.

With multiple installation possibilities, including a three-sided glass configuration, the Enya Flame Deep Format 3D Fires adapt beautifully to modern interiors. Six built-in sound effects add an extra sensory dimension, making the experience even more captivating.

For added assurance, the Enya Flame Deep Format 3D Fires come with a comprehensive five-year warranty, offering long lasting peace of mind.

KEY FEATURES

- Smart remote control with optional smart app control for iPhone and Android
- Eco Design Compliant - Meeting with the latest government legislation
- Provides up to 2kw output and a flame only function
- Electronic thermostat
- 7 Day digital timer, Adaptive start, and Draft detection feature
- Realistic Enya Flame 3D flame pattern with 16x flame colour options
- Variable flame option Feature.
- Adjustable flame speed control
- Tailored fuel bed with realistic logs or upgrade to a real wood log set
- 6x Sound effect feature
- Under glow bed, scroll between 16x colour options
- Over down lighting with 16x colour options
- Pulsating ember lights
- Additional LED connection point for additional feature wall mood lighting
- Multi installation options including One, Two, and 3x sided glass
- Deep format size options – 1250mm, 1500mm, and 1800mm
- 5-year warranty – 2 Year parts and labour and additional 3-year parts only

Model	EF1250D	EF1500D	EF1800D
Dimensions	H617 x W1252 x D301mm	H617 x W1502 x D301mm	H617 x W1802 x D301mm
Weight - Unpacked	60kg	70kg	83kg



Standard



Real Wood Option



“Its slimline chassis provides a compact, space-efficient installation alternative to the deeper configuration, enabling greater versatility in wall mounted or recessed applications.”

The Enya Flame EF1250SL and EF1500SL Slimline Format 3D Electric Media Fires



The Enya Flame Slimline Format 3D Electric Fires are engineered to deliver enhanced visual ambience and contemporary aesthetic integration within modern interiors. Their slimline chassis provides a compact, space-efficient installation alternative to the deeper configuration, enabling greater versatility in wall mounted or recessed applications.

Like the Deep Format models, they feature advanced 3D flame technology with variable flame effects and sixteen colour options. The tailored fuel bed is supplied with lifelike logs, with the option to upgrade to real logs for an even more authentic appearance. Additional LED mood lighting can be connected to enhance feature walls and create a complete atmospheric experience.

Operation is simple and smart, with an intuitive remote control and optional smartphone app. A seven-day digital timer, adaptive start function, and draft detection ensure comfort, convenience, and energy efficiency.

Enya Flame Slimline Format 3D Fires are fully Eco Design compliant and offer up to 1.6kW of heat, along with a flame-only setting for year-round ambience.

Multiple installation possibilities, including three-sided glass configurations, allow the Slimline Fires to adapt beautifully to modern interiors. Six built-in sound effects add an extra sensory dimension.

For added assurance, Enya Flame Slimline Format 3D Fires come with a comprehensive five-year warranty, offering long-lasting peace of mind.

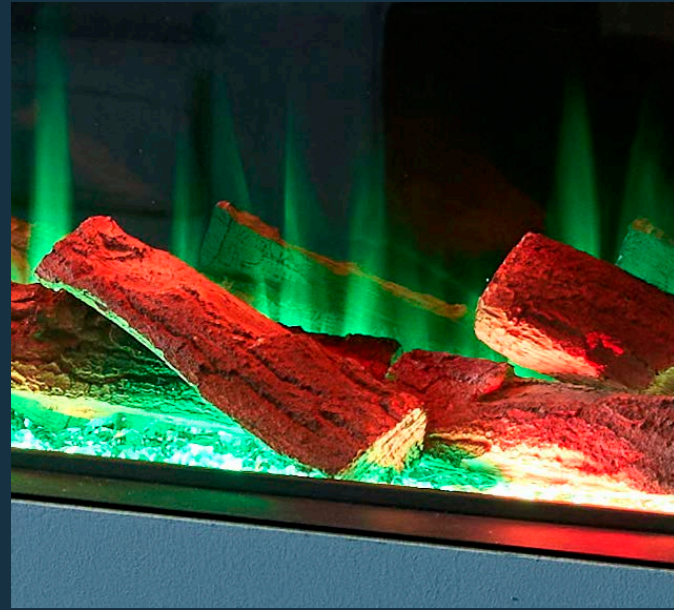
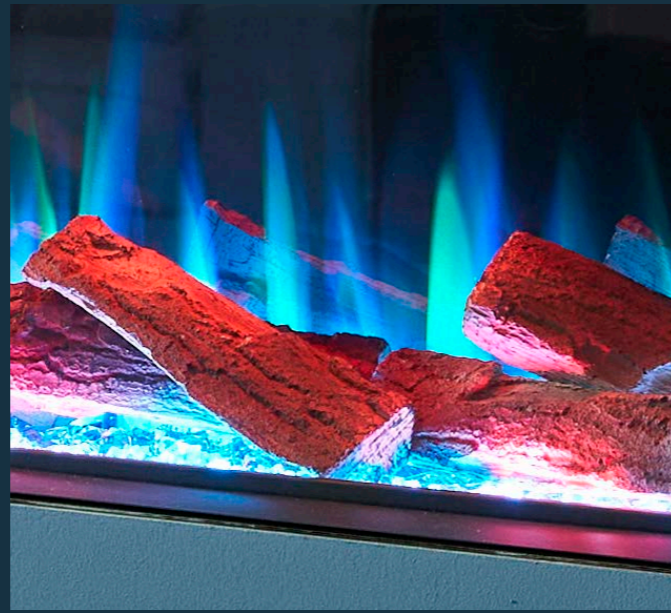
KEY FEATURES

- Smart remote control with optional smart app control for iPhone and Android
- Eco Design Compliant - Meeting with the latest government legislation
- Provides up to 1.6kw output and a flame only function
- Electronic thermostat
- 7 Day digital timer, Adaptive start, and Draft detection feature
- Realistic Enya Flame 3D flame pattern with 16x flame colour options
- Variable flame option Feature.
- Adjustable flame speed control
- Tailored fuel bed with realistic logs or upgrade to a real wood log set
- 6x Sound effect feature
- Under glow bed, scroll between 16x colour options
- Over down lighting with 16x colour options
- Pulsating ember lights
- Additional LED connection point for additional feature wall mood lighting
- Multi installation options including One, Two, and 3x sided glass
- Slimline format size options – 1250mm, 1500mm
- Space-efficient installation
- 5-year warranty – 2 Year parts and labour and additional 3-year parts only

Model	EF1250SL	EF1500SL
Dimensions	H617 x W1252 x D201mm	H617 x W1502 x D201mm
Weight - Unpacked	45kg	54kg



“Our electric fires feature 3D flame technology with variable flame effects and sixteen colour options, allowing you to tailor the look to suit your mood or décor.”



Optional Real Timber Log Set

Bring an authentic touch of nature into your home with our real wood log set, designed to elevate your electric fire.

Hand-selected timber forms a bespoke fuel bed, each piece lightly scorched to achieve a refined, luxurious finish.

The natural grain and texture of real wood deepen your connection to the flame, creating a richer, more inviting atmosphere.



Enya Flame Electric Fires | Technical Information

Model	EF1250SL	EF1500SL	EF1250D	EF1500D	EF1800D
Dimensions	H617 x W1252 x D201mm	H617 x W1502 x D201mm	H617 x W1252 x D301mm	H617 x W1502 x D301mm	H617 x W1802 x D301mm
Weight Unpacked	45kg	53kg	60kg	70kg	83kg
Colour Finish	Black & Glass	Black & Glass	Black & Glass	Black & Glass	Black & Glass
Fuel	Electric	Electric	Electric	Electric	Electric
Supply Voltage	AC 230-240V 50HZ	AC 230-240V 50HZ	AC 230-240V 50HZ	AC 230-240V 50HZ	AC 230-240V 50HZ
Heat Output	1.6kW	1.6kW	2kW	2kW	2kW
Media Installation	One-side glass, Two-side glass, or three-side glass	One-side glass, Two-side glass, or three-side glass	One-side glass, Two-side glass, or three-side glass	One-side glass, Two-side glass, or three-side glass	One-side glass, Two-side glass, or three-side glass
Installation options	Media wall, Wall mounted, Hole in Wall, and Free-standing fireplace.	Media wall, Wall mounted, Hole in Wall, and Free-standing fireplace.	Media wall, Wall mounted, Hole in Wall, and Free-standing fireplace.	Media wall, Wall mounted, Hole in Wall, and Free-standing fireplace.	Media wall, Wall mounted, Hole in Wall, and Free-standing fireplace.
Smart Remote Control (manual override control on the fire box)	Yes	Yes	Yes	Yes	Yes
Required Batteries (Not included)	AAA Alkaline Battery 2x	AAA Alkaline Battery 2x	AAA Alkaline Battery 2x	AAA Alkaline Battery 2x	AAA Alkaline Battery 2x
Optional Smartphone app control	Yes	Yes	Yes	Yes	Yes
7 Day digital timer and Adaptive start feature	Yes	Yes	Yes	Yes	Yes
Draft Detection	Yes	Yes	Yes	Yes	Yes
Realistic 3Dflame with 16x colour options	Yes	Yes	Yes	Yes	Yes
Under bed mood lights with 16x colour options	Yes	Yes	Yes	Yes	Yes
Pulsating ember lights	Yes	Yes	Yes	Yes	Yes
Down lights with 16x colour options	Yes	Yes	Yes	Yes	Yes
4x Flame speed control	Yes	Yes	Yes	Yes	Yes
Additional LED connector (For additional LED Lights)	Yes	Yes	Yes	Yes	Yes
Realistic log set	Yes	Yes	Yes	Yes	Yes
Optional Real Log	Optional	Optional	Optional	Optional	Optional
Black & Transparent resin embers	Yes	Yes	Yes	Yes	Yes
Vermiculate (1x Bag)	Yes	Yes	Yes	Yes	Yes
Wall Mounting Bracket included	Yes	Yes	Yes	Yes	Yes
Multi Fixing Brackets included	Yes	Yes	Yes	Yes	Yes
Glass Removal Suckers included	Yes	Yes	Yes	Yes	Yes
Eco Design 2022 Compliant	Yes	Yes	Yes	Yes	Yes
UKCA	Yes	Yes	Yes	Yes	Yes
CE	Yes	Yes	Yes	Yes	Yes
Warranty	5-Year	5-Year	5-Year	5-Year	5-Year



“Clean-burning technology ensures a powerful heat output while maintaining optimal fuel economy and reduced emissions.”

The Enya Flame Stove

5
YEAR
WARRANTY

Enya Flame Stoves are more than just stoves – they are statement pieces. Meticulously engineered and beautifully designed, these freestanding multi-fuel stoves bring contemporary elegance and exceptional heating performance into your home.

Every detail has been crafted to exude refinement from the sweeping curve of its cast iron door to the expansive glass window that transforms fire into a living spectacle.

Timeless Design

A distinctive curved cast-iron door, gracefully sculpted and finished with meticulous precision adds architectural depth to any interior.

Panoramic Flame View

An oversized glass window creates a mesmerising display of real flames, enhancing ambience and elevating your living space with warmth and visual luxury.

Superior Efficiency

Clean-burning technology ensures a powerful heat output while maintaining optimal fuel economy and reduced emissions.

Finish Options

- **Black** - Understated sophistication
- **Metallic** - A subtle sheen for a refined, modern look

Every component of the Enya Flame Stove range reflects the brand’s dedication to craftsmanship. Built with exceptional materials and a commitment to long-lasting performance. The stove provides reliable heat while enhancing the overall aesthetic of your home.

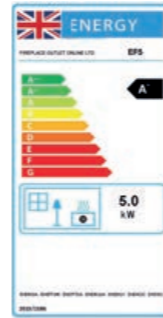
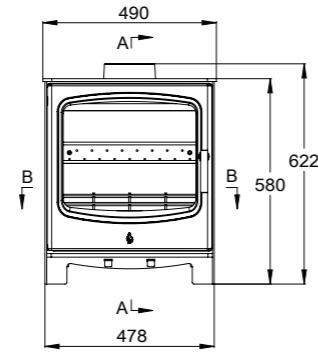
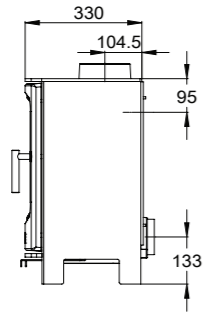
KEY FEATURES

- Available with 5kW, 8kW, and 10kW Heat Output
- Fully multi-fuel
- 5” Flue Top and Rear Connection EF05W
- 6” Top & Rear on the EF08W and EF10W models
- Self-Cleaning Firebox Liners
- Air Wash System
- Tertiary Air Wash System
- Active Baffle System – Auto, Closed, and Ignition
- Air Kit Included – For homes built after 2008. Eliminating the need for exterior ventilation.
- Glove Included
- Eco Design 2022 Ready
- UK Defra Exempt – For burning wood in smokeless zones
- CE
- Optional Log store available on the EF05W.

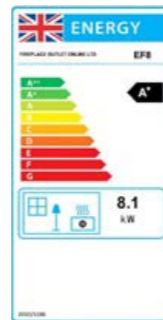
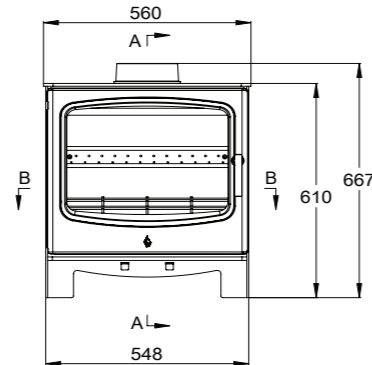
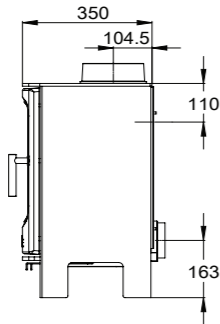
Model	EF05W	EF08W	EF10W
Dimensions inc. flue connector	W490 x D330 x H622mm	W560 x D350 x H667mm	W570 x D384.5 x H700mm
Weight - Unpacked	78kg	82kg	105kg

Enya Flame Stove Collection

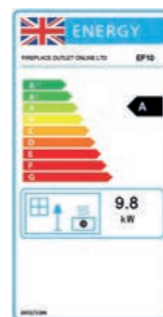
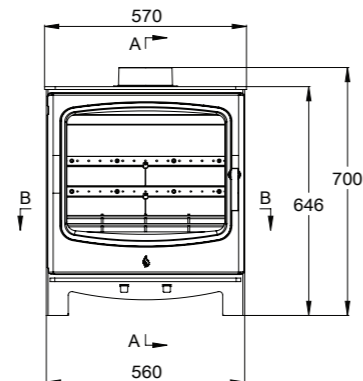
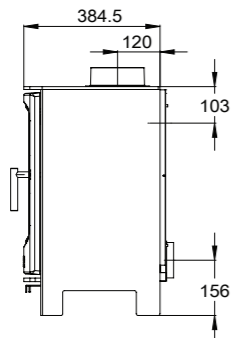
EF05W



EF08W



EF10W



Enya Flame Stove Collection | Technical Information

Model	EF05W	EF08W	EF10W
Dimensions inc. flue connector	W490 x D330 x H622mm	W560 x D350 x H667mm	W570 x D384.5 x H700mm
Weight - Unpacked	78kg	82kg	105kg
Colour Finishes	Flat Black & Metallic	Flat Black & Metallic	Flat Black & Metallic
Fuel	Wood & Solid Fuel	Wood & Solid Fuel	Wood & Solid Fuel
Flue Connection	Top & Rear	Top & Rear	Top & Rear
Flue diameter size	5"	6"	6"
Efficiency Wood & Solid Fuel	81.3% - 77%	82.8% - 77%	77.9% - 82.2%
Output	5.0kW	8.1kW	9.8kW
Active Baffle System Auto, Closed, and Ignition	YES	YES	YES
Air Wash System	YES	YES	YES
Tertiary Air System	YES	YES	YES
Self-Cleaning Firebox Liners	YES	YES	YES
EEl Rating	A+	A+	A
Construction	Steel and Cast Iron	Steel and Cast Iron	Steel and Cast Iron
Air Kit included	YES	YES	YES
Installation	Freestanding	Freestanding	Freestanding
Eco Design 2022	YES	YES	YES
Defra	YES	YES	YES
UKCA	YES	YES	YES
CE	YES	YES	YES
Warranty	5 Year	5 Year	5 Year
Branded Glove	YES	YES	YES
Log Store option	YES	NO	NO

5
YEAR
WARRANTY

ENYA  **FLAME**

Enya Flame electric fires available in both slimline and deep formats - 1250, 1500, and 1800 models come with a five-year warranty (two years parts and labour, followed by a further three years parts-only). This warranty does not cover the glass, fuel-bed logs, or resin embers, as these are consumable items and can be purchased separately through Aftersales.

Enya Flame multi-fuel stoves include a five-year warranty covering the stove body for defects identified within five years of purchase. Please note that refit and shipping costs are not included in this warranty. No other parts are covered; however, these components are consumable and can be purchased from Aftersales.

For all warranty matters, please first contact the *retailer from whom you purchased the appliance, as your contract is with them. In most cases, they will be able to resolve the issue before involving us if necessary.

Contact: aftersales@enyaflame.com

*The warranty begins on the invoice date, and the invoice must be presented or confirmed by the retailer when making a warranty claim. Please note that ex-display products are not covered by this warranty.

Product Certification

Electric Fires

Our electric fires are high-performance products, fully CE and UKCA approved. They also comply with Eco Design 2022 and meet modern efficiency standards.

Multi-Fuel Stoves

Our stoves are CE and UKCA approved and Eco Design 2022 compliant. They are designed to reduce particle emissions by up to 80% compared to older stove models.

THANKS FOR
CHOOSING
ENYA FLAME





Fireplace Outlet Online Ltd T/A Enya Flame
Unit 16, Station Road Industrial Estate
Station Road,
Halifax,
West Yorkshire,
HX2 6AD

www.fireplace-outlet-online.com

sales@enyafire.com

aftersales@enyafire.com



FIND US ON SOCIAL MEDIA

January 2026. All information correct at the time of printing.
Whilst every effort is made to ensure accuracy and colour, it is
not always possible to obtain perfect reproduction because of
the materials and printing processes used.